

# Fiberglass In-Line Pushbutton Enclosures - Commander Series

30mm and 22mm with Lift-off Cover



## Construction

- Hot compression molded fiberglass reinforced thermoset polyester
- Poured polyurethane seamless gasket provides watertight, dust-tight environmental seal
- Recessed captive stainless steel screws
- 300 Series stainless steel used on all external hardware
- Workable material cuts, drills, punches and saws with ease and accuracy
- Optional mounting feet
- Rounded edges, minimal protrusions or exposed pocket area for accumulation of dust or debris
- Metal grounding strap
- Submersible, non-corrosive environmental design
- Lift-off cover with four cover screws
- Non-conductive, impact resistant, UV resistant
- Temperature Range: -40°F to 250°F (-40°C to 120°C)
- Non-flame propagating
- Subpanel not required
- Smooth surface, no color variations, swirls or color pockets, no voids
- Color: Gray

## Listings

- UL/cUL File # E64358
- NEMA Ratings 1, 3R, 4X, 6P, 12 (UL508A, UL50 & UL50e)
- CSA Std. C22.2 File # 1, 3R, 4X, 6P, 12 per CSA File# LR069014
- IEC 60529 Ratings IP66, IP67, IP68 per UL file# E362920
- UL 1741 File # E333478
- Temperature Range (-76°F to +274°F) (-60°C to +134°C)
- Flammability Rating UL94-5V
- Self extinguishing non-halogenated, non-flame propagating
- NFPA No. 101 Flame Spread Class A (1)
- Certifications cULus, CSA, IEC, REACH, RoHS
- Outdoor UV Exposure (UL 746C) (f1) Rated
- Plenum Space Rating (UL 2043) Yes



### Enclosure Shipping Schedule

Same day    1 - 5 days    1 - 15 days    1 - 20 days

Color indicates shipping lead time in business days.

### 30mm Fiberglass In-Line Pushbutton with Lift-off Cover - Commander Series

Part Number	Price	# Holes	Enclosure Overall Size HxWxD
<b>CO1PB</b>	\$34.00	1	6.63 x 3.81 x 3.89 [168 x 97 x 99]
<b>CO2PB</b>	\$35.00	2	6.63 x 3.81 x 3.89 [168 x 97 x 99]
<b>CO3PB</b>	\$38.00	3	8.88 x 3.81 x 3.89 [226 x 97 x 99]
<b>CO4PB</b>	\$39.00	4	11.13 x 3.81 x 3.89 [283 x 97 x 99]
<b>CO5PB</b>	\$44.50	5	13.78 x 3.63 x 3.14 [350 x 92 x 80]
<b>CO6PB</b>	\$52.00	6	17.35 x 3.63 x 3.14 [441 x 92 x 80]

Notes: Subpanels not required.  
Dimensions in inches [millimeters].  
Mounting foot kit (COMTGFTKIT) must be ordered separately.



CO1PB

### 22mm Fiberglass Pushbutton Enclosure with Lift-off Cover - Commander Series

Part Number	Price	# Holes	Enclosure Overall Size HxWxD
<b>CO1PB22</b>	\$34.00	1	6.63 x 3.81 x 3.89 [168 x 97 x 99]
<b>CO2PB22</b>	\$35.00	2	6.63 x 3.81 x 3.89 [168 x 97 x 99]
<b>CO3PB22</b>	\$38.00	3	6.63 x 3.81 x 3.89 [168 x 97 x 99]
<b>CO4PB22</b>	\$39.00	4	8.88 x 3.81 x 3.89 [226 x 97 x 99]
<b>CO5PB22</b>	\$44.50	5	11.13 x 3.81 x 3.89 [283 x 97 x 99]
<b>CO6PB22</b>	\$52.00	6	11.13 x 3.81 x 3.89 [283 x 97 x 99]

Notes: Subpanels not required.  
Dimensions in inches [millimeters].  
Mounting foot kit (COMTGFTKIT) must be ordered separately.

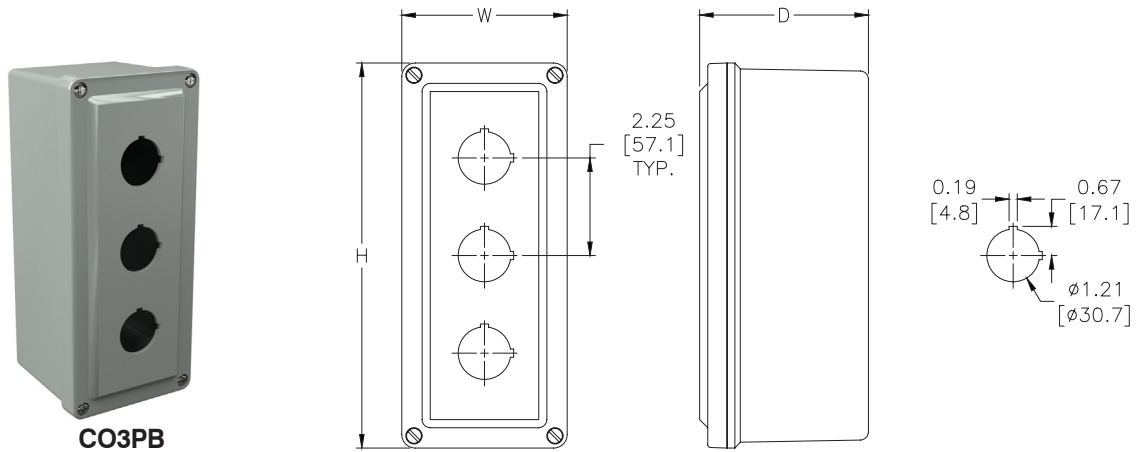


CO4PB22

# Fiberglass In-Line Pushbutton Enclosures - Commander Series

## 30mm Dimensions

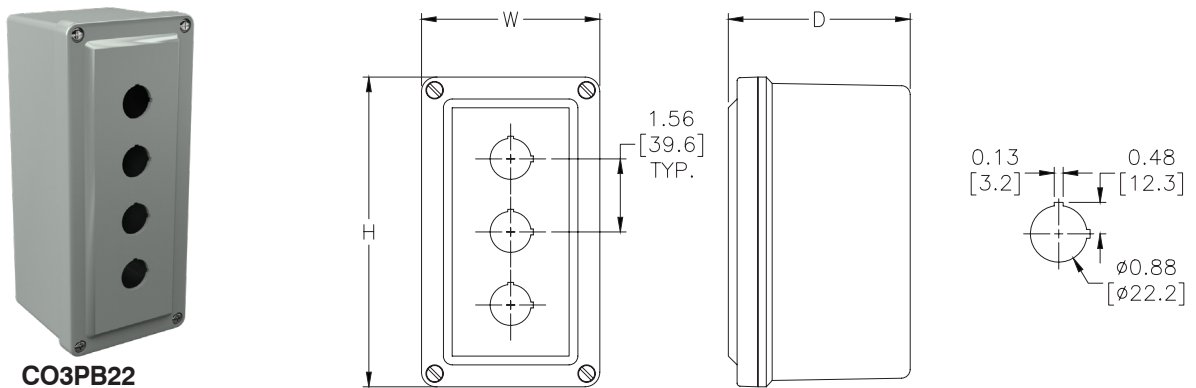
in [mm]



CO3PB

## 22mm Dimensions

[mm]



CO3PB22

See our website: [www.AutomationDirect.com](http://www.AutomationDirect.com) for complete engineering drawings.