

Fiberglass Pushbutton Enclosures - Commander Series

30mm Multi-Hole Pushbutton



CO6PBW

Construction

- Hot compression molded fiberglass reinforced thermoset polyester
- Poured polyurethane seamless gasket provides watertight, dust-tight environmental seal
- Recessed captive stainless steel screws
- 300 Series stainless steel used on all external hardware
- Integral mounting flange for easy mounting
- Optional mounting feet not available on this model
- Rounded edges, minimal protrusions or exposed pocket areas for accumulation of dust or debris
- Raised bosses with brass inserts accepting 10-32 screws for optional panel mounting
- Stainless steel beaded cover retention chain
- Metal grounding strap
- Submersible, non-corrosive environment
- Lift-off cover with four cover screws
- Non-conductive, impact resistant, UV resistant
- Temperature Range: -40°F to 250°F (-40°C to 120°C)
- Non-flame propagating
- Smooth surface, no color variations, swirls or color pockets, no voids
- Color: Gray

Listings

- UL/cUL File # E64358
- NEMA Ratings 1, 3R, 4X, 6P, 12 (UL508A, UL50 & UL50e)
- CSA Std. C22.2 File # 1, 3R, 4X, 6P, 12 per CSA File# LR069014
- IEC 60529 Ratings IP66, IP67, IP68 per UL file# E362920
- UL 1741 File # E333478
- Temperature Range (-76°F to +274°F) (-60°C to +134°C)
- Flammability Rating UL94-5V
- Self extinguishing non-halogenated, non-flame propagating
- NFPA No. 101 Flame Spread Class A (1)
- Certifications cULus, CSA, IEC, REACH, RoHS
- Outdoor UV Exposure (UL 746C) (f1) Rated
- Plenum Space Rating (UL 2043) Yes



| Enclosure Shipping Schedule | | | |
|-----------------------------|------------|-------------|-------------|
| Same day | 1 - 5 days | 1 - 15 days | 1 - 20 days |

Color indicates shipping lead time in business days.

| 30mm Fiberglass Multi-Hole Pushbutton Enclosures - Commander Series | | | | | | | |
|---|---------|---------|--|----------|-----------------------|---------------------|-------------------|
| Part Number | Price | # Holes | Enclosure Overall Size HxWxD (inches) | Wt. (lb) | Carbon Steel Subpanel | Fiberglass Subpanel | Aluminum Subpanel |
| CO4PBW | \$48.50 | 4 | 7.50 x 7.50 x 4.75 [191 x 191 x 121] | 2.75 | BP66CS | BP66FG | BP66A |
| CO6PBW | \$54.00 | 6 | 9.62 x 7.50 x 4.74 [244 x 191 x 121] | 3.5 | BP86CS | BP86FG | BP86A |
| CO9PBW | \$68.00 | 9 | 11.62 x 9.41 x 4.25 [295 x 239 x 108] | 5 | BP108CS | BP108FG | BP108A |

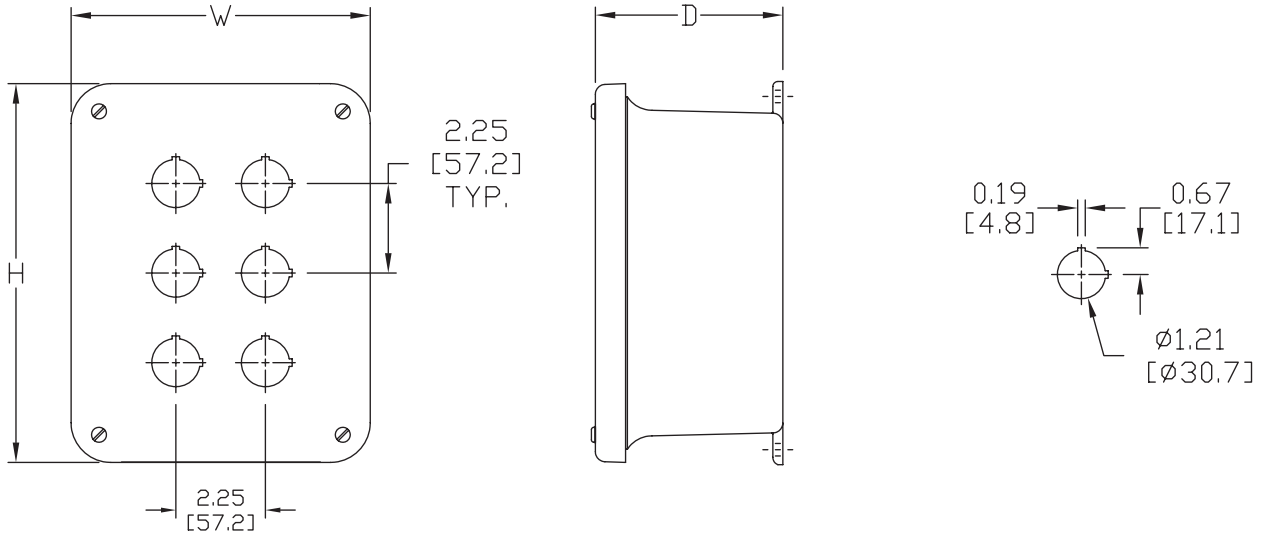
Notes: Subpanels must be ordered separately. Dimensions in inches [millimeters].

Fiberglass Pushbutton Enclosures - Commander Series

30mm Multi-Hole Pushbutton

Dimensions

in [mm]



See our website: www.AutomationDirect.com for complete engineering drawings.

Mounting Foot Kit for Commander Series Enclosures



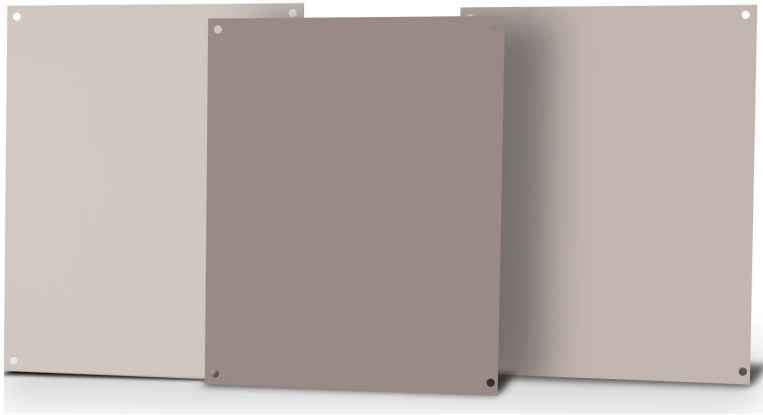
| Enclosure Shipping Schedule | | | |
|-----------------------------|------------|-------------|-------------|
| Same day | 1 - 5 days | 1 - 15 days | 1 - 20 days |

Color indicates shipping lead time in business days.



| Mounting Foot Kit for Commander Series Enclosures | | | |
|---|---------|---|-------|
| Part Number | Price | Description | Wt. |
| COMTGFTKIT | \$24.50 | Mounting Foot Kit for Commander Series of Non-Metallic Enclosures | 1 oz. |

Subpanels for Freedom, MachoBox and Centurion Series Fiberglass Enclosures



Carbon steel subpanels

- Material: Carbon steel
- Finish: White polyester powder finish

Fiberglass subpanels

- Material: Fiberglass reinforced polyester (FRP)
- Color: Gray

| Subpanel Part Number | Price | Subpanel Size HxWxD | Enclosure Nominal Size HxW | Wt (lb) |
|----------------------|----------|--|----------------------------|---------|
| BP64CS | \$5.50 | 4.88 x 2.88 x 0.075 [124 x 73 x 1.9] | 6 x 4 | 0.3 |
| BP66CS | \$5.50 | 4.88 x 4.88 x 0.075 [124 x 124 x 1.9] | 6 x 6 | 0.5 |
| BP76CS | \$6.00 | 6.00 x 4.88 x 0.075 [152 x 124 x 1.9] | 7 x 6 | 0.6 |
| BP86CS | \$6.75 | 6.75 x 4.88 x 0.075 [152 x 124 x 1.9] | 8 x 6 | 0.8 |
| BP88CS | \$9.25 | 6.88 x 6.88 x 0.075 [175 x 175 x 1.9] | 8 x 8 | 0.8 |
| BP96CS | \$8.50 | 8.25 x 4.88 x 0.075 [175 x 124 x 1.9] | 9 x 6 | 0.9 |
| BP108CS | \$10.00 | 8.75 x 6.88 x 0.075 [225 x 175 x 1.9] | 10 x 8 | 1.3 |
| BP1210CS | \$12.50 | 10.88 x 8.75 x 0.075 [276 x 225 x 1.9] | 12 x 10 | 2.1 |
| BP1412CS | \$15.00 | 12.88 x 10.88 x 0.075 [327 x 276 x 1.9] | 14 x 12 | 3.0 |
| BP1614CS | \$19.50 | 14.88 x 12.88 x 0.075 [378 x 327 x 1.9] | 16 x 14 | 4.1 |
| BP1816CS | \$25.00 | 16.88 x 14.88 x 0.075 [429 x 378 x 1.9] | 18 x 16 | 5.4 |
| BPM2016CS | \$31.50 | 18.88 x 14.88 x 0.075 [479 x 378 x 1.9] | 20 x 16 | 6.1 |
| BPM2020CS | \$92.00 | 18.00 x 18.00 x 0.105 [457 x 457 x 2.7] | 20 x 20 | 9.4 |
| BPM2420CS | \$112.00 | 22.00 x 18.00 x 0.105 [558 x 457 x 2.7] | 24 x 20 | 11 |
| BPM2424CS | \$137.00 | 22.00 x 22.00 x 0.105 [558 x 558 x 2.7] | 24 x 24 | 22 |

Note: Dimensions in inches [millimeters].

| Subpanel Part Number | Price | Subpanel Size HxWxD | Enclosure Nominal Size HxW | Wt. (lb) |
|----------------------|----------|---|----------------------------|----------|
| BP64FG | \$4.00 | 4.88 x 2.88 x 0.13 [124 x 73 x 3.2] | 6 x 4 | 0.1 |
| BP66FG | \$4.75 | 4.88 x 4.88 x 0.13 [124 x 124 x 3.2] | 6 x 6 | 0.2 |
| BP86FG | \$6.00 | 6.88 x 4.88 x 0.13 [175 x 124 x 3.2] | 8 x 6 | 0.3 |
| BP88FG | \$8.50 | 6.88 x 6.88 x 0.13 [175 x 175 x 3.2] | 8 x 8 | 0.3 |
| BP108FG | \$9.00 | 8.88 x 6.88 x 0.13 [225 x 175 x 3.2] | 10 x 8 | 0.5 |
| BP1210FG | \$11.50 | 10.88 x 8.88 x 0.13 [276 x 225 x 3.2] | 12 x 10 | 0.9 |
| BP1412FG | \$16.00 | 12.88 x 10.88 x 0.13 [327 x 276 x 3.2] | 14 x 12 | 1.0 |
| BP1614FG | \$20.00 | 14.88 x 12.88 x 0.13 [378 x 327 x 3.2] | 16 x 14 | 0.8 |
| BP1816FG | \$25.00 | 16.88 x 14.88 x 0.13 [429 x 378 x 3.2] | 18 x 16 | 2.0 |
| BPM2016FG | \$31.00 | 18.88 x 14.88 x 0.13 [479 x 378 x 3.2] | 20 x 16 | 2.2 |
| BPM2020FG | \$100.00 | 18.00 x 18.00 x 0.13 [457 x 457 x 3.2] | 20 x 20 | 2.3 |
| BPM2420FG | \$121.00 | 22.00 x 18.00 x 0.13 [558 x 457 x 3.2] | 24 x 20 | 2.8 |
| BPM2424FG | \$148.00 | 22.00 x 22.00 x 0.13 [558 x 558 x 3.2] | 24 x 24 | 3.5 |

Note: Dimensions in inches [millimeters].

| Enclosure Shipping Schedule | | | |
|-----------------------------|------------|-------------|-------------|
| Same day | 1 - 5 days | 1 - 15 days | 1 - 20 days |

Color indicates shipping lead time in business days.

Subpanels for Freedom, MachoBox and Centurion Series Fiberglass Enclosures

Aluminum subpanels

- Material: 3003H14 aluminum
- Finish: Mill



AttaBox
A ROBROY ENCLOSURES™ BRAND

| Subpanel Part Number | Price | Subpanel Size HxWxD | Enclosure Nominal Size HxW | Wt. (lb) |
|----------------------|----------|---|----------------------------|----------|
| BP64A | \$5.50 | 4.88 x 2.88 x 0.081 [124 x 73 x 2.0] | 6 x 4 | 0.1 |
| BP66A | \$5.50 | 4.88 x 4.88 x 0.081 [124 x 124 x 2.0] | 6 x 6 | 0.2 |
| BP86A | \$6.75 | 6.88 x 4.88 x 0.081 [175 x 124 x 2.0] | 8 x 6 | 0.3 |
| BP108A | \$10.00 | 8.88 x 6.88 x 0.081 [225 x 175 x 2.0] | 10 x 8 | 0.5 |
| BP1010A | \$12.50 | 8.88 x 8.88 x 0.081 [225 x 225 x 2.0] | 10 x 10 | 4.3 |
| BP1210A | \$12.50 | 10.88 x 8.88 x 0.081 [276 x 225 x 2.0] | 12 x 10 | 0.8 |
| BP1412A | \$15.00 | 12.88 x 10.88 x 0.081 [327 x 276 x 2.0] | 14 x 12 | 1.1 |
| BP1614A | \$19.50 | 14.88 x 12.88 x 0.081 [378 x 327 x 2.0] | 16 x 14 | 1.5 |
| BP1816A | \$25.00 | 16.88 x 14.88 x 0.081 [429 x 378 x 2.0] | 18 x 16 | 2.5 |
| BPM2016A | \$31.50 | 18.88 x 14.88 x 0.081 [479 x 378 x 2.0] | 20 x 16 | 2.4 |
| BPM2020A | \$88.00 | 18.00 x 18.00 x 0.129 [457 x 457 x 3.3] | 20 x 20 | 3.7 |
| BPM2420A | \$107.00 | 22.00 x 18.00 x 0.129 [558 x 457 x 3.3] | 24 x 20 | 4.5 |
| BPM2424A | \$131.00 | 22.00 x 22.00 x 0.129 [558 x 558 x 3.3] | 24 x 24 | 5.4 |
| BPM3024A | \$152.00 | 27.00 x 21.00 x 0.129 [686 x 533 x 3.3] | 30 x 24 | 7.0 |

Note: Dimensions in inches (millimeters).

| Enclosure Shipping Schedule | | | |
|-----------------------------|------------|-------------|-------------|
| Same day | 1 - 5 days | 1 - 15 days | 1 - 20 days |

Color indicates shipping lead time in business days.

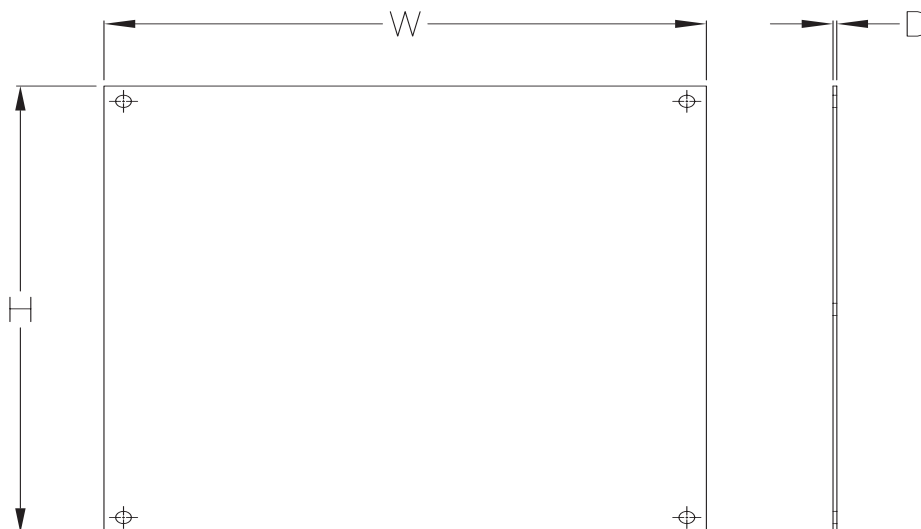
Aluminum swing-out panel

- Swing-out panel with 8 swing-panel mounts
- Works with 30 x 24 and 24 x 30 MachoBox series enclosures



| Subpanel Part Number | Price | Panel Size HxWxD | Enclosure Nominal Size HxW | Wt. (lb) |
|----------------------|----------|---|----------------------------|----------|
| M3024SPK | \$196.00 | 27.00 x 21.00 X 0.129 [686 X 533 X 3.3] | 30 x 24 | 11 |

Dimensions



See our website: www.AutomationDirect.com for complete engineering drawings.