

Polycarbonate Pushbutton Enclosures - Commander Series

NEMA 1, 3R, 4X, 6P, and 12 with Lift-off Cover



Applications

AttaBox offers an all-polycarbonate product with blank covers or a choice of one- or two-hole pushbutton openings for both 22mm and 30mm hardware. These enclosures include the external flush wall design, unobstructed internal sidewalls, polycarbonate cover screws, and watertight seal.



COPC432



COPC1PB



COPC2PB

Construction

- High impact-resistant polycarbonate, gray in color with gloss finish.
- Poured-in-place seamless gasket for water-tight and dust-tight seal.
- Mounting wells located under the cover/ outside the gasket area.
- Removable cover with polycarbonate screws (provided). Torque cover screws to 16 lb-in (1.8 N-m).
- Rounded edges help to prevent collection of dust and debris.
- Available with 22mm or 30mm pushbutton holes, or blank cover.

Listings

- UL/cUL File # E319779
- NEMA Ratings 1, 3R, 4X, 6P, 12
- (UL508A, UL50 & UL50e)
- IEC 60529 Ratings IP66, IP67, IP68
- Temperature Range (-20°F to +240°F) (-29°C to +115°C)
- Flammability Rating UL94-5VA
- Certifications cULus, IEC, REACH, RoHS
- Outdoor UV Exposure (UL 746C) (f1) Rated



Enclosure Shipping Schedule

Same day 1 - 5 days 1 - 15 days 1 - 20 days

Color indicates shipping lead time in business days.

Polycarbonate Pushbutton Enclosures - Commander Series NEMA 1, 3R, 4X, 6P, and 12

Part Number	Price	# Holes	Pushbutton Size	Enclosure Size H x W x D
COPC432	\$32.50	0	N/A	4.34 x 3.16 x 2.79 [110 x 80 x 71]
COPC533	\$33.50	0	N/A	5.12 x 3.16 x 3.54 [130 x 80 x 90]
COPC1PB	\$35.50	1	30mm	4.34 x 3.16 x 2.79 [110 x 80 x 71]
COPC2PB	\$38.50	2	30mm	5.12 x 3.16 x 3.54 [130 x 80 x 90]
COPC1PB22	\$35.50	1	22mm	4.34 x 3.16 x 2.79 [110 x 80 x 71]
COPC2PB22	\$38.50	2	22mm	5.12 x 3.16 x 3.54 [130 x 80 x 90]

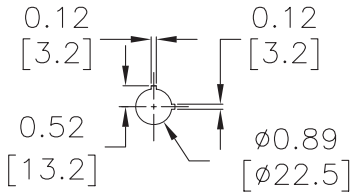
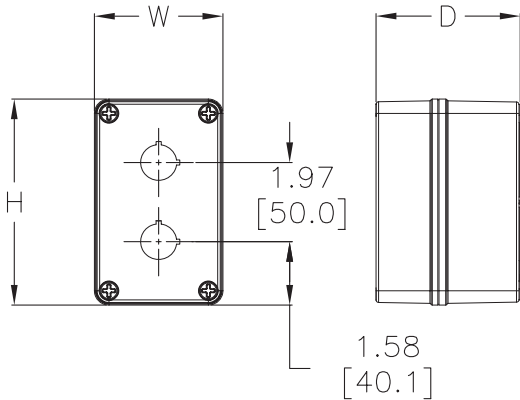
Note: Dimensions in inches [millimeters]

Polycarbonate Pushbutton Enclosures - Commander Series

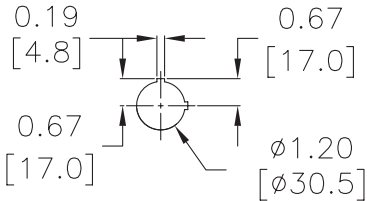
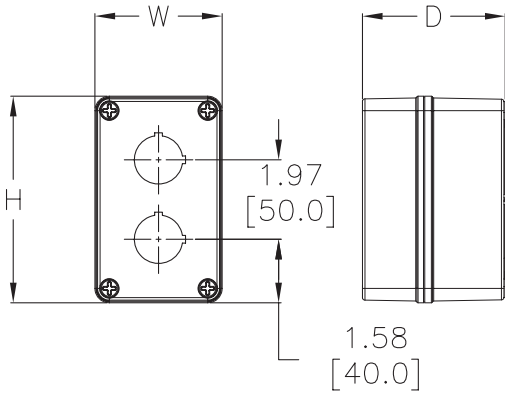
NEMA 1, 3R, 4X, 6P, and 12 with Lift-off Cover

Dimensions

in [mm]

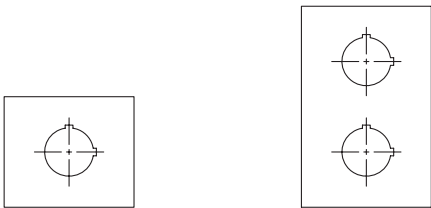


1PB-22/2PB-22
HOLE DETAIL



1PB/2PB
HOLE DETAIL

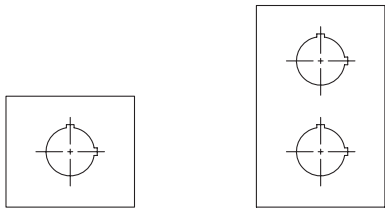
PB HOLE ARRANGEMENTS



SINGLE PB-22

DOUBLE PB-22

PB HOLE ARRANGEMENTS



SINGLE PB

DOUBLE PB

See our website: www.AutomationDirect.com for complete engineering drawings.