



# Control Distribution Blocks for AVS Series Solenoid Valves



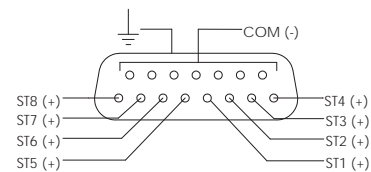
NITRA pneumatic control distribution blocks are a convenient way to connect a bank of valves to a controller. Replace all the wiring connectors supplied with the solenoid valves with this distribution block, and replace a bundle of solenoid cables with one DB15 cable. Each block matches up with a manifold of two to eight stations and includes built-in surge suppression and LED indication.

## Features

- Single DB15 wiring connection
- Built-in surge suppression
- LED indication
- IP 65 rating
- 2 to 8 stations
- Use AVPS1-BP or AVPS2-BP plugs for any unused stations
- Mounting hardware and gaskets included
- Made in USA

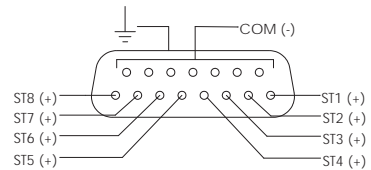
Control Distribution Block Technical Specifications		
Specification	VDC Units	VAC Units
<b>Voltage Range</b>	12-24 VDC	24-120 VAC
<b>Temperature Range</b>	0°F to 120°F (-20°C to 49°C)	
<b>Max. Coil Power</b>	4W	4VA
<b>Electrical Connection</b>	15-Pin D-Sub (DB15) Male	
<b>Circuit Protection</b>	N4004 Diode	MOV
<b>Enclosure Rating</b>	IP 65	
<b>LED Indicator</b>	Yes	
<b>Material</b>	ABS (Acrylonitrile butadiene styrene) Body	

## Wiring



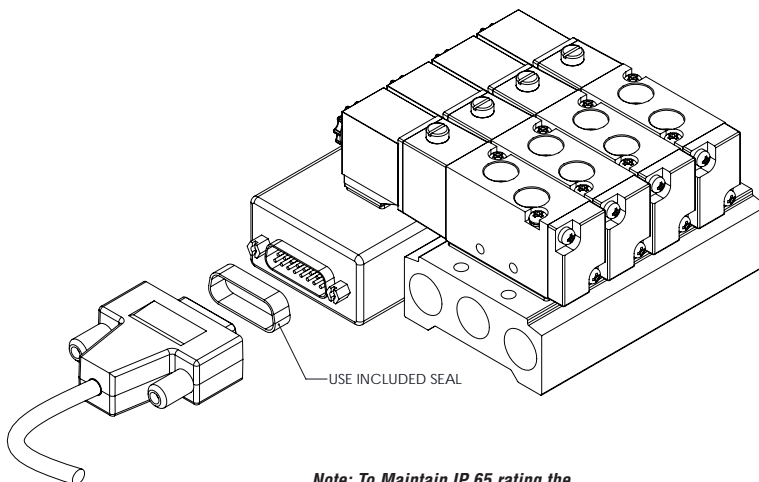
Control Distribution Block Pinout

### AVPS1 Series Distribution Blocks



Control Distribution Block Pinout

### AVPS2 / 3 / 4 Series Distribution Blocks



**Note:** To Maintain IP 65 rating the included DB15 Connector Seal must be used.



# AVS-31 and AVS-51 Series Control Distribution Blocks



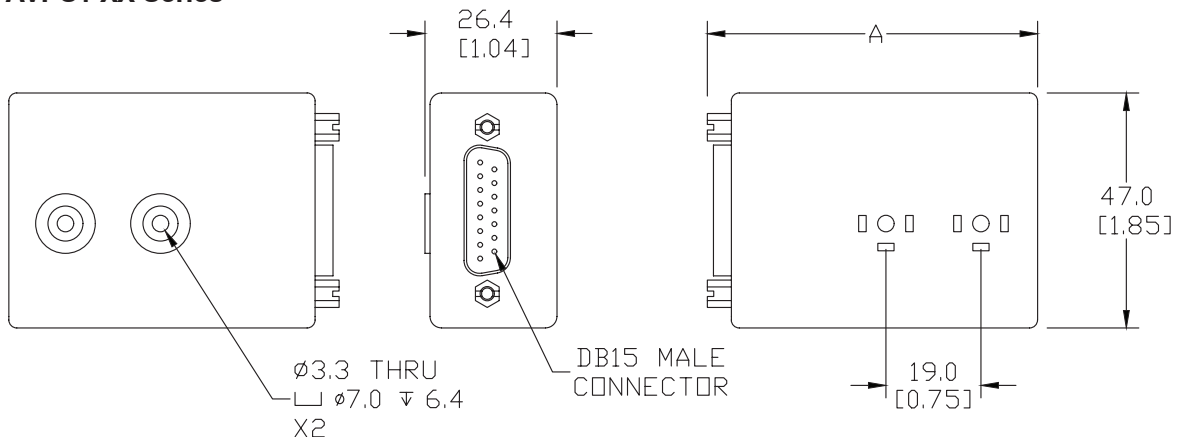
Part No. AVPS1-6A

AVS-31 and AVS-51 Series Control Distribution Blocks					
Part No.	Voltage	Stations	Dimension "A" in [mm]	Price	Weight (lbs)
AVPS1-2A	AC	2	2.60 [66.0]	\$46.00	0.2
AVPS1-2D	DC			\$46.00	
AVPS1-4A	AC	4	4.09 [104.0]	\$92.00	0.3
AVPS1-4D	DC			\$92.00	
AVPS1-6A	AC	6	5.59 [142.0]	\$136.00	0.3
AVPS1-6D	DC			\$136.00	
AVPS1-8A	AC	8	7.09 [180.0]	\$181.00	0.4
AVPS1-8D	DC			\$181.00	

## Dimensions

mm [inches]

### AVPS1-XX Series



See our website [www.AutomationDirect.com](http://www.AutomationDirect.com) for complete Engineering drawings.



# AVS-32 and AVS-52 Series Control Distribution Blocks



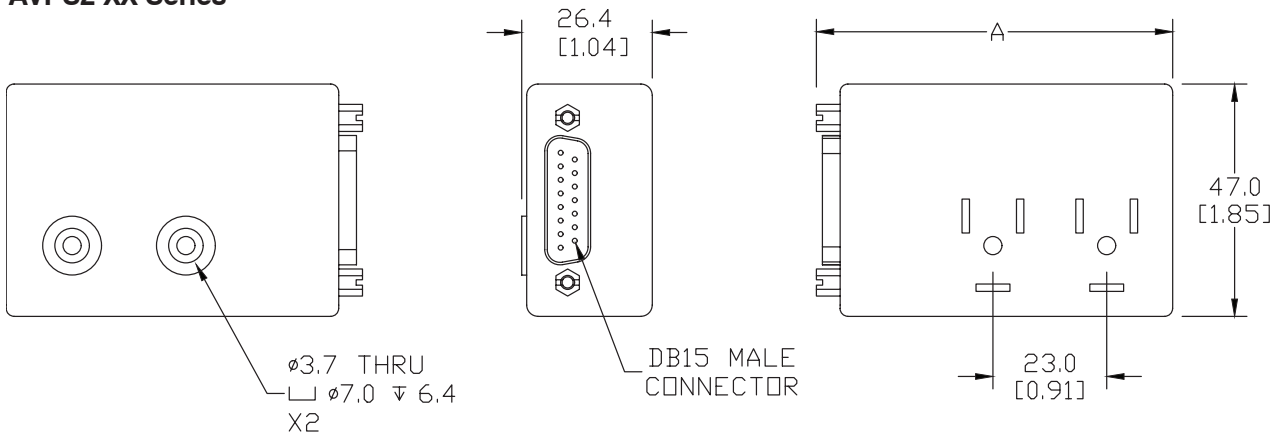
Part No. AVPS2-6A

AVS-32 and AVS-52 Series Control Distribution Blocks					
Part No.	Voltage	Stations	Dimension "A" in [mm]	Price	Weight (lbs)
AVPS2-2A	AC	2	2.84 [72.1]	\$44.50	0.2
AVPS2-2D	DC			\$44.50	0.2
AVPS2-4A	AC	4	4.65 [118.1]	\$89.00	0.3
AVPS2-4D	DC			\$89.00	0.3
AVPS2-6A	AC	6	6.46 [164.1]	\$132.00	0.3
AVPS2-6D	DC			\$132.00	0.3
AVPS2-8A	AC	8	8.27 [210.1]	\$175.00	0.4
AVPS2-8D	DC			\$175.00	0.4

## Dimensions

mm [inches]

### AVPS2-XX Series



See our website [www.AutomationDirect.com](http://www.AutomationDirect.com) for complete Engineering drawings.



# AVS-33 and AVS-53 Series Control Distribution Blocks



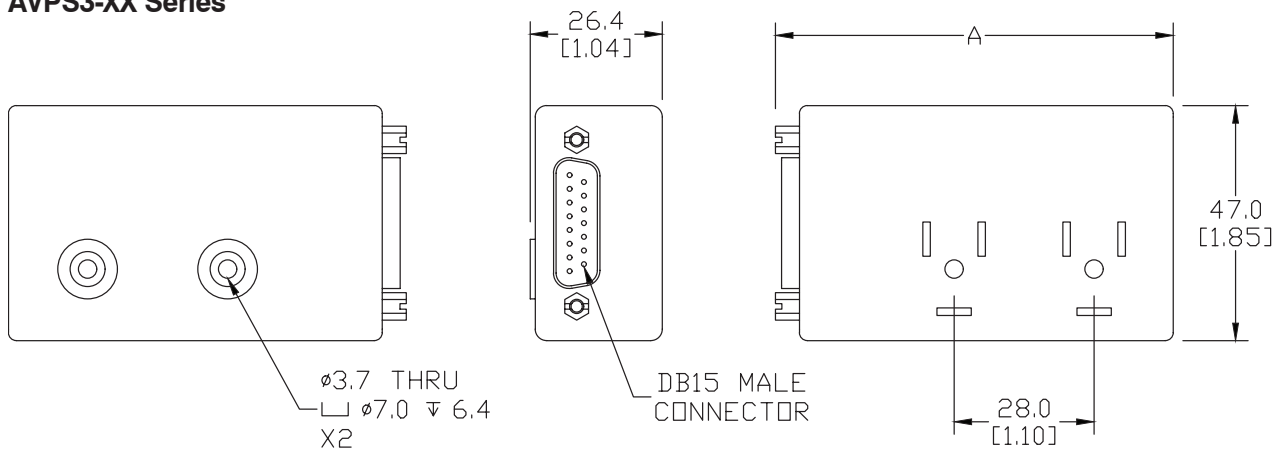
Part No. AVPS3-6A

AVS-33 and AVS-53 Series Control Distribution Blocks					
Part No.	Voltage	Stations	Dimension "A" in [mm]	Price	Weight (lbs)
AVPS3-2A	AC	2	3.13 [79.5]	\$44.50	0.2
AVPS3-2D	DC			\$44.50	0.2
AVPS3-4A	AC	4	5.33 [135.5]	\$89.00	0.3
AVPS3-4D	DC			\$89.00	0.3
AVPS3-6A	AC	6	7.54 [191.5]	\$132.00	0.3
AVPS3-6D	DC			\$132.00	0.3
AVPS3-8A	AC	8	9.74 [247.5]	\$175.00	0.4
AVPS3-8D	DC			\$175.00	0.4

## Dimensions

mm [inches]

### AVPS3-XX Series



See our website [www.AutomationDirect.com](http://www.AutomationDirect.com) for complete Engineering drawings.



# AVS-54 Series Control Distribution Blocks



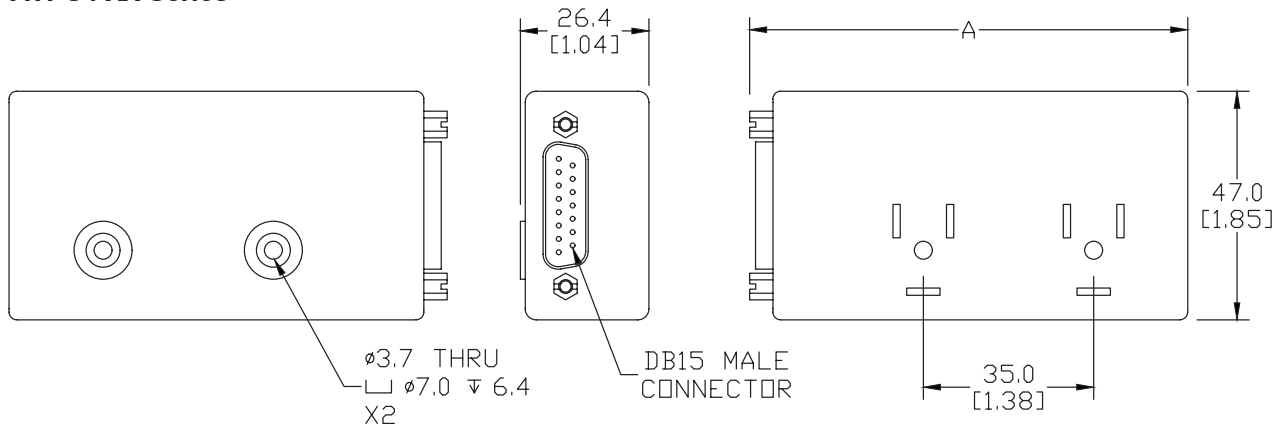
Part No. AVPS4-6A

AVS-54 Series Control Distribution Blocks					
Part No.	Voltage	Stations	Dimension "A" in [mm]	Price	Weight (lbs)
AVPS4-2A	AC	2	3.54 [90.0]	\$44.50	0.2
AVPS4-2D	DC			\$44.50	0.2
AVPS4-4A	AC	4	6.30 [160.0]	\$89.00	0.3
AVPS4-4D	DC			\$89.00	0.3
AVPS4-6A	AC	6	9.06 [230.0]	\$132.00	0.3
AVPS4-6D	DC			\$132.00	0.3
AVPS4-8A	AC	8	11.81 [300.0]	\$175.00	0.4
AVPS4-8D	DC			\$175.00	0.4

## Dimensions

mm [inches]

### AVPS4-XX Series



See our website [www.AutomationDirect.com](http://www.AutomationDirect.com) for complete Engineering drawings.



# AVPS Series Control Distribution Blocks Accessories



Part No. AVPS1-BP



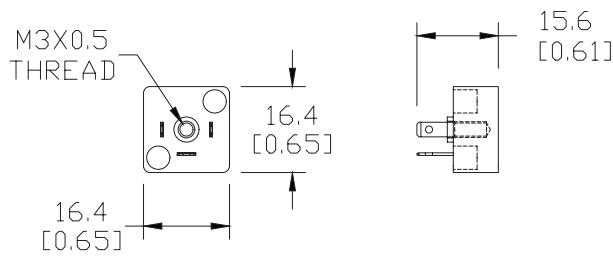
Part No. AVPS2-BP

AVPS Series Control Distribution Blocks Accessories			
Part No.	Description	Price	Weight (lbs)
AVPS1-BP	NITRA blanking plug, for use with AVPS1-x control distribution blocks.	\$13.50	0.2
AVPS2-BP	NITRA blanking plug, for use with AVPS2-x, AVPS3-x and AVPS4-x control distribution blocks.	\$13.50	0.3

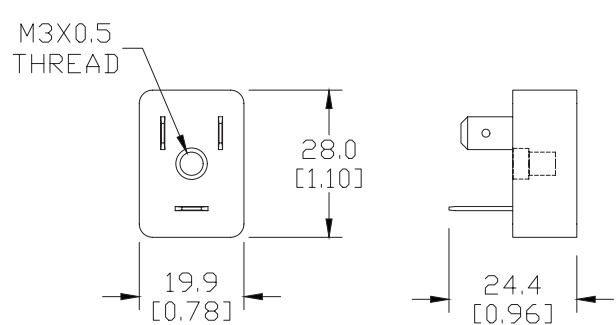
## Dimensions

mm [inches]

### APVS1-BP



### APVS2-BP



See our website [www.AutomationDirect.com](http://www.AutomationDirect.com) for complete Engineering drawings.