

C-more Operator Touch Panels

Starting at just \$487.00, C-more Touch Panels are designed to give you one of the best costs of ownership, considering initial price, features, ease of use, reliability and free award winning technical support.

We continue to improve hardware and software features. Perhaps this is why more and more people find that C-more has what it takes to meet most of their HMI application needs. But don't take our word for it, see for yourself. Visit our Web site (www.automationdirect.com) and read all of the reviews that current C-more customers have submitted.

"I have used the C-More touch panels for years. They are reliable and fairly "bullet proof". I have utilized 6", 8", 10", 12" and 15" to control cell doors and escape detection systems in a maximum security prison, along with the Direct Logic Koyo PLC line and DirectSoft Programming software, with great success. Also you cannot beat the quick shipping, fair pricing and top-notch tech support of all Automation Direct products."

Rick - CONCORD, NH

Customer Reviews

Averages for C-more Touch Panels (all sizes)

Overall Score (4.6)
(129 reviews)

Quality: ★★★★☆

Ease of Use: ★★★★☆

Value: ★★★★☆

"This thing is amazing. I started out wanting a screen that was all I hoped for to control a pump application. After I got the unit and the C more software I realized that there was an apple store App. Within 15 minutes of plugging it in and without ever cracking the manual open, I had a switch and an indicator on the screen, my phone, and my web browser and each was able to control my application. Clearly I will need to spend some more time to make it pretty but speed to solution? Amazing!!!!!"

Stewart -VALPARAISO, IN

"After using AB PanelViews for several years I started using the 15" EA9. What a great product. Programming is easy, the extra screen space I put to good use and was able to get more pertinent information that will help both the operators and maintenance personnel. This is also 1/3 of the price."

Bobby -COLUMBUS, IN

"Have had to use and understand many different HMI's over the years and the C-more series is by far the most user friendly that I have found. It works naturally well with other AutomationDirect products, but in addition works equally well with other makers' devices."

Bob - FENTON, MI



GET more with C-more

Easy to configure, install and maintain



Hundreds of powerful features

We maximized every feature, small and large, to make sure you have a great experience with your HMI.

- Proven Reliability
- Predefined Objects
- Enhanced Productivity Tools
- Increased Device Connectivity
- Remote Access and Control from any web browser, or with the mobile app*

C-more has better value all around!

*C-more Micro HMI panels do not have remote access capability.

Made by Koyo

Koyo Electronics, our parent company, is part of the multibillion dollar JTEKT group of companies that primarily provides components to automotive manufacturers such as Toyota. With this type of engineering and manufacturing background, we knew Koyo could create a product that would offer the best combination of reliability, ease of use, features and price.

Backed with a 2-year warranty

For over 50 years, Koyo has been a world class manufacturer of reliable and best valued products. C-more was designed with quality in mind and engineered by Koyo to meet the most stringent quality requirements. Therefore, Koyo is confident to offer a 2-year limited warranty on all C-more interfaces.



FREE Software!

C-more HMI design software can be downloaded free-of-charge. Get started on your project today or take it for a test drive.

Download as often as you need.
No license or key needed.

[Click here to download.](#)



more Value for LESS!

Base Model



C-more 6in
EA9-T6CL-R
C-more EA9 series touch screen HMI, 6in color TFT LCD, 320 x 240, QVGA, supports (1) serial and (2) USB ports and (1) memory card slot.

\$521.00

Full Feature Models



C-more 6in
EA9-T6CL
C-more EA9 series touch screen HMI, 6in color TFT LCD, 320 x 240, QVGA, supports (3) serial, (1) Ethernet and (2) USB ports, (1) memory card slot and (1) audio line out

\$730.00



C-more 7in Widescreen
EA9-T7CL-R
C-more EA9 series touch screen HMI, 7in color TFT LCD, widescreen, 800 x 480, WVGA, supports (1) serial, (1) Ethernet and (2) USB ports and (1) memory card slot.

\$487.00



C-more 7in Widescreen
EA9-T7CL
C-more EA9 series touch screen HMI, 7in color TFT LCD, widescreen, 800 x 480, WVGA, supports (3) serial, (1) Ethernet and (2) USB ports, (1) memory card slot and (1) audio line out.

\$564.00



C-more 15in
EA9-T15CL-R
C-more EA9 series touch screen HMI, 15in color TFT LCD, 1024 x 768 pixels, XGA, LED backlight, supports (1) serial, (1) Ethernet and (2) USB ports, (2) memory card slots.

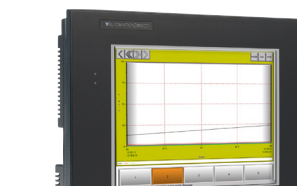
\$1,358.00



C-more 8in
EA9-T8CL
C-more EA9 series touch screen HMI, 8in color TFT LCD, 800 x 600, SVGA, supports (3) serial, (1) Ethernet and (2) USB ports, (1) memory card slot and (1) audio line out.

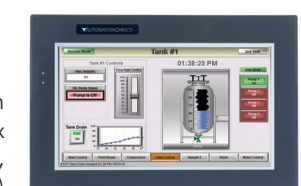
\$1,044.00

More Full Feature Models



C-more 10in
EA9-T10CL
C-more EA9 series touch screen HMI, 10in color TFT LCD, 800 x 600, SVGA, supports (3) serial, (1) Ethernet and (2) USB ports, (1) memory card slot and (1) audio line out.

\$1,348.00



C-more 10in Widescreen
EA9-T10WCL
C-more EA9 series touch screen HMI, 10in color TFT LCD, widescreen, 1024 x 600, WSVGA, supports (3) serial, (1) Ethernet and (2) USB ports, (1) memory card slot and (1) audio line out.

\$716.00

Enhanced Feature Models



C-more 12in
EA9-T12CL
C-more EA9 series touch screen HMI, 12in color TFT LCD, 800 x 600, SVGA, supports (3) serial, (1) Ethernet and (2) USB ports, (2) memory card slots, (1) HDMI video out and (1) audio line out.

\$1,872.00



C-more 15in
EA9-T15CL
C-more EA9 series touch screen HMI, 15in color TFT LCD, 1024 x 768, XGA, supports (3) serial, (1) Ethernet and (2) USB ports, (2) memory card slots, (1) HDMI video out and (1) audio line out.

\$2,090.00

\$399.00



Need a bigger screen or none at all? check out the C-more headless HMI, details at the end of this section

C-more Touch Panel Quick Look

Touch Panel Hardware Selection

Part Number	Ethernet	SD Card Slot	Serial Ports	HDMI Video Output	Audio Output	USB Ports	EA-ECOM Support
EA9-T6CL-R		1 Slot	1 Port			USB 2.0 Type A and B	
EA9-T7CL-R	Yes	1 Slot	1 Port				
EA9-T6CL	Yes	1 Slot	3 Ports		Yes		Yes
EA9-T7CL	Yes	1 Slot	3 Ports		Yes		Yes
EA9-T8CL	Yes	1 Slot	3 Ports		Yes		Yes
EA9-T10CL	Yes	1 Slot	3 Ports		Yes		Yes
EA9-T10WCL	Yes	1 Slot	3 Ports		Yes		Yes
EA9-T12CL	Yes	2 Slots	3 Ports	Yes	Yes		Yes
EA9-T15CL	Yes	2 Slots	3 Ports	Yes	Yes		Yes
EA9-T15CL-R	Yes	2 Slots	1 Port				

Hardware Features

- 64K colors and LED backlights
- 800MHz CPU
- 26MB to 82MB project memory depending on model
- 12 to 24 VDC powered (Optional AC module available)
- Built in Real-time Clock with 30 day backup (No Battery required)
- NEMA 4/4X IP65
- USB 2.0 Type A for USB HID compliant devices / Storage memory devices
- USB 2.0 Type B port for Programming

FREE Software Features

- Over 50 objects including 16 pen trends, switches, PID trend faceplate, PID bar graph
- Event Manager allows for Logging and Notifications
- Language support for objects in German, French, Italian, Spanish, Chinese and Japanese Characters
- Project simulator
- Bitmap animation
- E-mail messaging
- Built-in FTP server / Web server
- Popup windows
- Data logging to USB/SD Flash Drive
- USB 2.0 Type B port for Programming
- Historical alarms with time and date stamp along with alarm frequency reporting
 - Supports simultaneous communication to multiple brands of PLC/PACs
 - Mouse and Keyboard support within the Project
 - Remote HMI feature with smart phone / tablet / PC
 - 2 year Warranty and a 30-Day Money Back Policy



Support Features

- Free Top Rated Technical Phone Support
- 2 year Warranty and a 30-Day Money Back Policy

Please refer to the catalog technical section for details.

Supported drivers

- AutomationDirect PLCs
- Do-more PLCs
- K-Sequence (DirectLOGIC PLCs)
- DirectNET (DirectLOGIC PLCs)
- Modbus (Productivity Series controllers, DirectLOGIC PLCs, CLICK PLCs)
- ECOM Ethernet (DirectLOGIC PLCs)
- Think & Do (Modbus RTU and Modbus TCP/IP)
- GS Drives
- SOLO Temperature Controllers

- Modbus RTU
- Modbus TCP/IP

- Allen-Bradley
- A-B DF1
- A-B DH485
- A-B EtherNet/IP Client
- A-B Ethernet/IP Server Generic IO Messaging

- GE
- 90/30, 90/70, Micro 90, VersaMax Micro (SNPX)
- 90/30, Rx3i (SRTP Ethernet)

- Omron
- Omron Host Link Adapter
- Omron FINS (Serial and Ethernet)

- Mitsubishi
- FX Series CPU
- FX-1N(C), 2N(C), 3U(C) CPU
- Q Series (QO2, QO2H, QO6H, Q12H, Q25H CPU)
- Q/QnA (Serial and Ethernet)

- Siemens
- S7-200 (Serial: PPI)
- S7-200 (Ethernet: ISO over TCP/IP)
- S7-300 (Ethernet: ISO over TCP/IP)
- S7-400 (Ethernet: ISO over TCP/IP)
- S7-1200 (Ethernet: ISO over TCP/IP)

Please refer to the Compatibility Table in the following technical section for detailed information about which protocols are available for use with specific controllers.

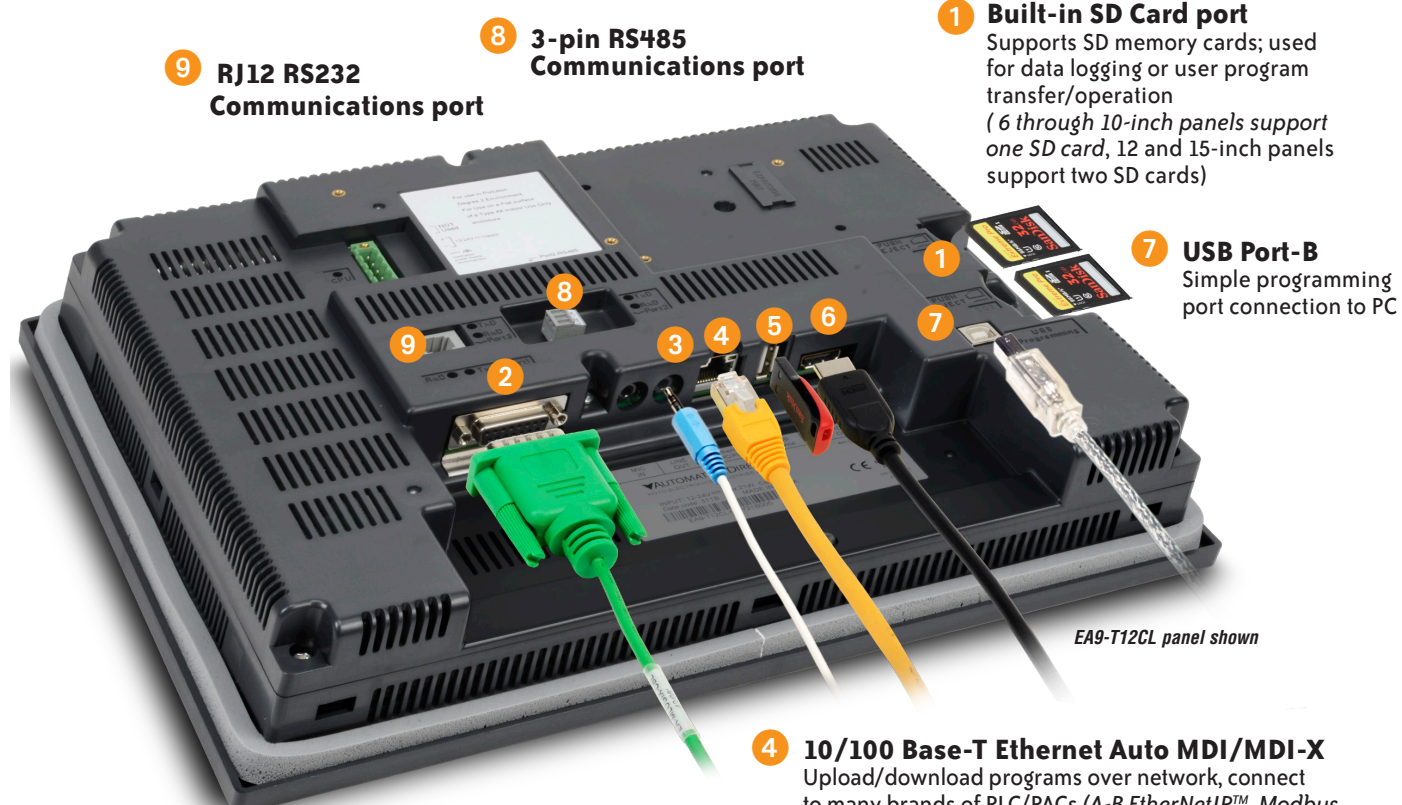
All Models Compatible with EA9-PGMSW programming software version 5.0 or later.
See technical specifications for available features in each model

more Connectivity...

Communicate any way you want

C-more was designed to offer the widest range of connectivity options of any PLC touch panel in its class.

Part Number	Ethernet	SD Card Slot	Serial Ports	HDMI Video Output	Audio Output	USB Ports	EA-ECOM Support
EA9-T6CL-R		1 Slot	1 Port			USB 2.0 Type A and B	
EA9-T7CL-R	Yes	1 Slot	1 Port				
EA9-T6CL	Yes	1 Slot	3 Ports		Yes		Yes
EA9-T7CL	Yes	1 Slot	3 Ports		Yes		Yes
EA9-T8CL	Yes	1 Slot	3 Ports		Yes		Yes
EA9-T10CL	Yes	1 Slot	3 Ports		Yes		Yes
EA9-T10WCL	Yes	1 Slot	3 Ports		Yes		Yes
EA9-T12CL	Yes	2 Slots	3 Ports	Yes	Yes		Yes
EA9-T15CL	Yes	2 Slots	3 Ports	Yes	Yes		Yes
EA9-T15CL-R	Yes	2 Slots	1 Port				



- 1 Built-in SD Card port**
Supports SD memory cards; used for data logging or user program transfer/operation (6 through 10-inch panels support one SD card, 12 and 15-inch panels support two SD cards)
- 2 Serial Communication ports**
RS-232, RS-422/485 port, connects to numerous brands including Allen-Bradley, GE, Omron, Mitsubishi, AutomationDirect and more
- 3 Audio Line out***
For amplifiers and speakers; allows .wav files to be played when a specified event occurs
- 4 10/100 Base-T Ethernet Auto MDI/MDI-X**
Upload/download programs over network, connect to many brands of PLC/PACs (A-B EtherNet/IP™, Modbus TCP/IP, DirectLOGIC ECOM, Productivity3000), connect to standard Ethernet switches, etc.
- 5 USB Port-A**
Accepts USB devices such as memory sticks, keyboards, barcode scanners, etc.
- 6 HDMI Video out on 12 and 15-inch panels**
Allows for HDMI output to other HDMI display devices. Use HDMI cable to output the active C-more screen to other display devices (12" and 15" enhanced models only).
- 7 USB Port-B**
Simple programming port connection to PC
- 8 3-pin RS485 Communications port**
- 9 RJ12 RS232 Communications port**

* Available only on full featured units

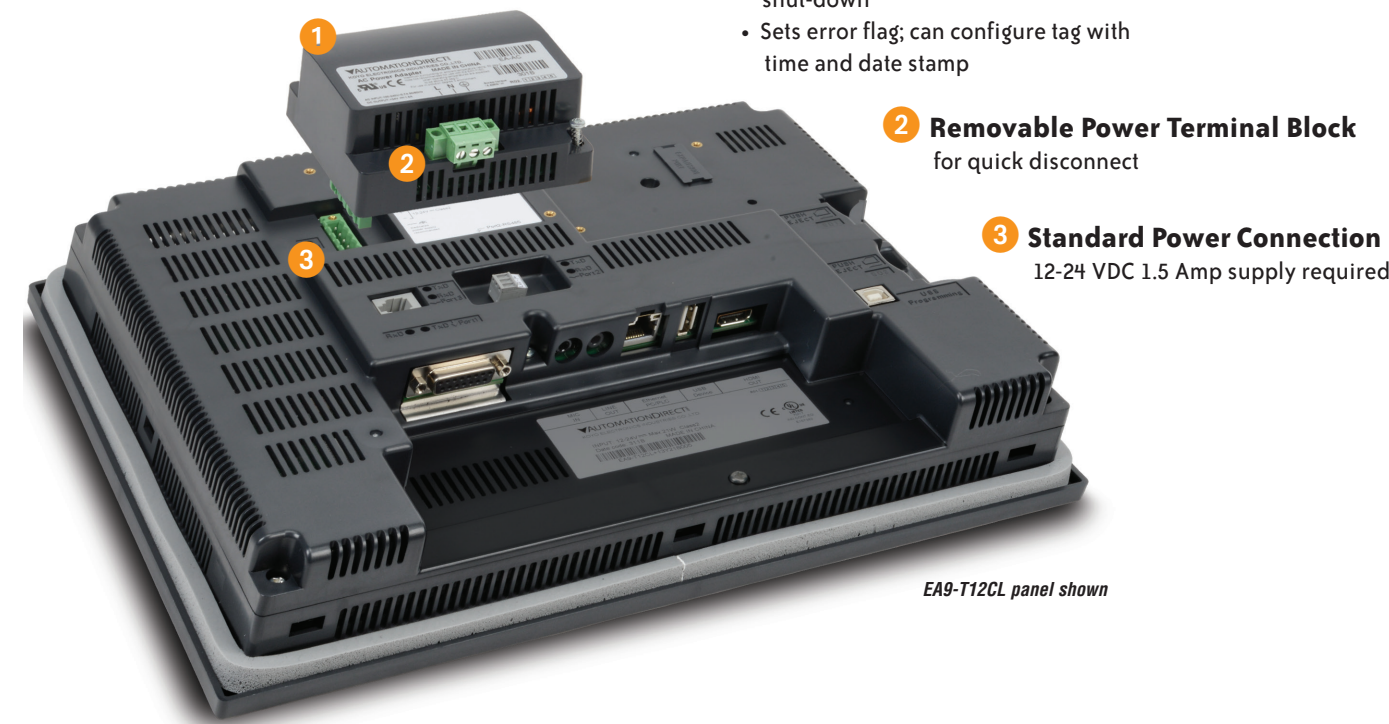
more Reliability...

Smart power supply options allow for improved reliability

C-more can operate with 12 or 24 VDC power supply. This is great for applications that have good clean 12 or 24 VDC power. However, there are many situations where the DC power in a cabinet does not meet required specifications for instrumentation. C-more offers an optional 100-240 VAC screw-on power adapter (EA-AC) that improves panel reliability. Since it is built specifically for C-more, it offers power fault detection with sequential shut-down, and will set an error flag that can be configured with a time and date stamp to help troubleshoot a problem. The power fault detection will attempt to "close" data logging files on SD memory cards to prevent file corruption. If data logging is critical to your applications, the EA-AC power adapter is a must.

with sequential shut-down, and will set an error flag that can be configured with a time and date stamp to help troubleshoot a problem. The power fault detection will attempt to "close" data logging files on SD memory cards to prevent file corruption. If data logging is critical to your applications, the EA-AC power adapter is a must.

Power Fault Detection Sequential Shut-down Error Flag you can log



- 1 Optional 110 VAC to 24 VDC Power Supply**
 - Improves panel reliability
 - Power fault protection with sequential shut-down
 - Sets error flag; can configure tag with time and date stamp
- 2 Removable Power Terminal Block**
for quick disconnect
- 3 Standard Power Connection**
12-24 VDC 1.5 Amp supply required

Add More Ethernet to your panel for only \$52.00 with the EA-ECOM module

The EA-ECOM module easily attaches to EA9 panels (excluding Base models) providing an additional 10/100 Base-T Ethernet Auto MDI/MDI-X RJ45 Port. Simply connect the module to the back of your EA9 C-more and secure it with the supplied screws. The EA-ECOM does not require an external power supply and supports all C-more Ethernet drivers.



more PLC Compatibility...

Tag-based Messaging

C-more software supports direct insertion of ControlLogix, CompactLogix and FlexLogix tags from the PLC into C-more - no mapping or translations required.

Allen-Bradley® PLC Driver Support:

- ControlLogix®
- CompactLogix®
- FlexLogix
- SLC® 5/05 Ethernet™
- MicroLogix™ 1100/1400 Ethernet

including:

- A-B DF1
- A-B DH485
- A-B EtherNet/IP Client
- A-B Ethernet/IP Server Generic IO Messaging

Get A-B Ethernet connectivity and 64K colors starting at **\$487.00**

p/n EA9-T6CL: supports serial and Ethernet-based drivers

Fast and Simple Driver Setup

We have many protocols for the Allen-Bradley PLC brand. The A-B Ethernet drivers allow the simple connectivity of multiple panels and/or multiple Allen-Bradley PLCs. We also have ControlLogix EtherNet/IP Tag Messaging support. This feature helps increase productivity by reducing the time often required

to map your PLC tag database into another device. You can import the RSLogix 5000 L5K file directly, or with just a few clicks of the mouse you can directly enter your ControlLogix/CompactLogix tags from the PLC into C-more. No mapping or translation required!

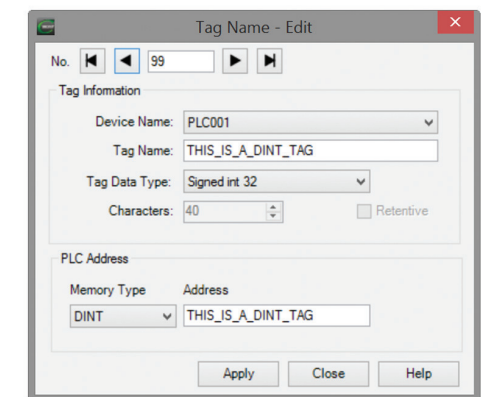
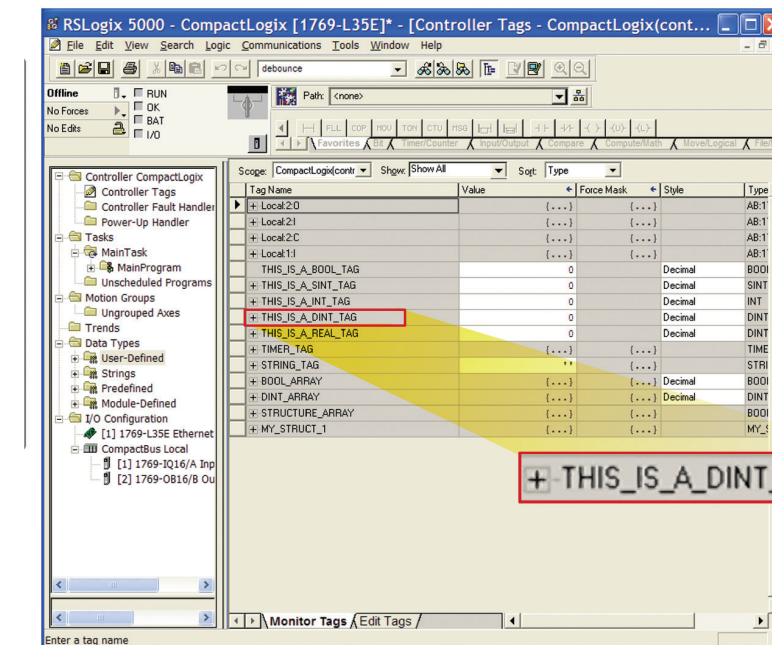
C-more Allen-Bradley Controller Support	DF1 Full Duplex	DF1 Half Duplex	DH485	Generic EtherNet/IP Server (IO Messaging)	EtherNet/IP Client	EtherNet/IP Tag-Based Client	Tag-Based DF1 Full Duplex	Tag-Based DF1 Half Duplex
SLC 5/01, 5/02			Yes					
SLC 5/03	Yes	Yes	Yes		Yes ^{xxx}			
SLC 5/04	Yes	Yes	**Yes		Yes ^{xxx}			
SLC 5/05 (Series A OS501 FRN5 & Higher)	Yes	Yes	**Yes		Yes			
MicroLogix 1000, 1200, 1500	Yes	Yes	**Yes		Yes ^{xxx}			
MicroLogix 1100/1400	Yes	Yes	**Yes		Yes			
Micro 800						Yes		Yes
PLC5	Yes							
ControlLogix				Yes		Yes	Yes	Yes
CompactLogix				Yes		Yes	Yes	Yes
FlexLogix				Yes		Yes	Yes	Yes

^{**}AIC module from Allen-Bradley required for this connection

^{xxx}NET - ENI module from Allen-Bradley required for this connection

ControlLogix EtherNet/IP Tag-based Messaging

Configure ControlLogix, CompactLogix and FlexLogix tags from the PLC into C-more (no mapping or translations required).



2. Type in the PLC tag names directly. You can use the PLC tag names as your C-more tag names or choose a different C-more tag name when appropriate.

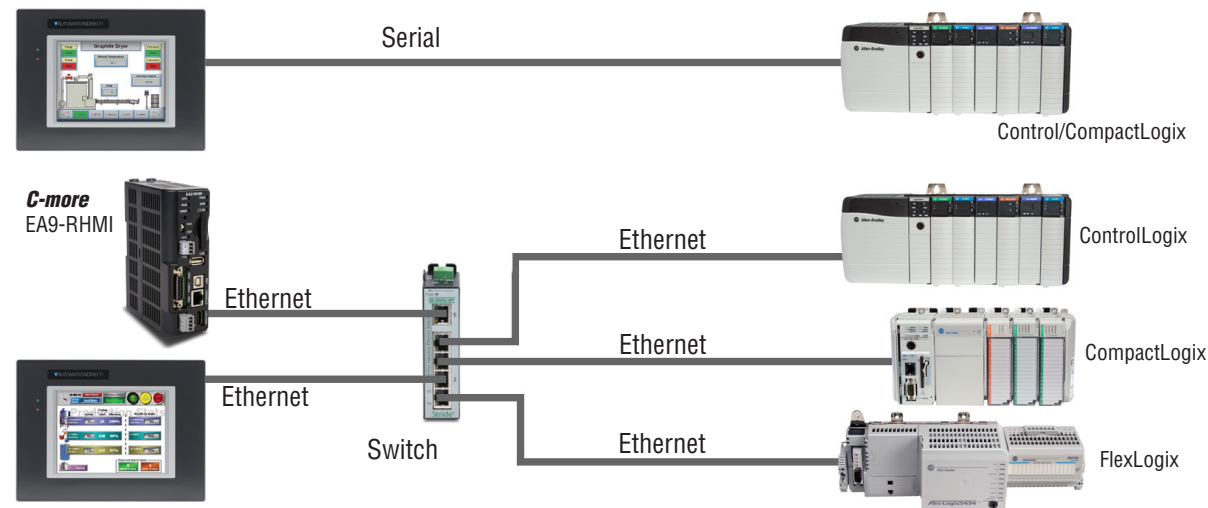
You can configure ControlLogix, CompactLogix and FlexLogix tags in the C-more Programming software through two different methods:

1. Import the tags from RSLogix 5000 (.L5K file).

ControlLogix, CompactLogix and FlexLogix

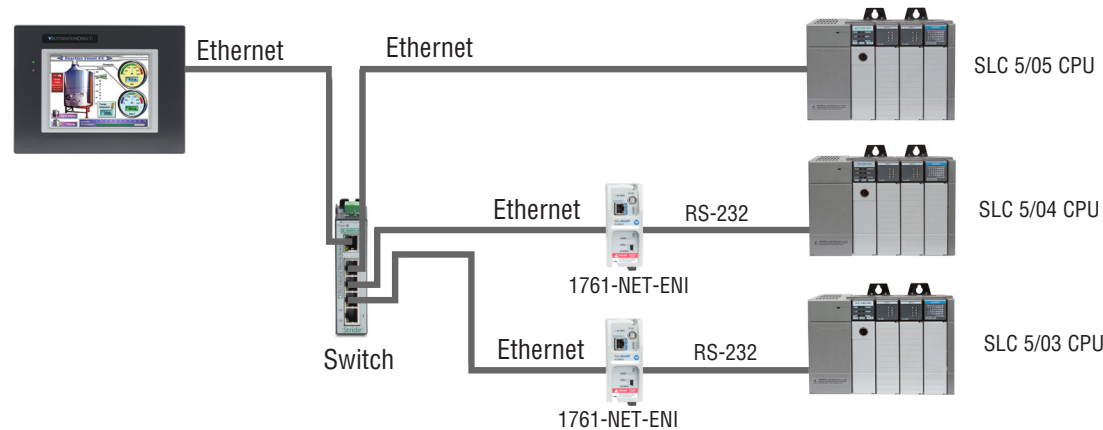
Connect to ControlLogix, CompactLogix and FlexLogix PLCs using either the native serial port or Ethernet port/module. Use direct tag-based messaging or directly enter the

ControlLogix/CompactLogix PLC tags during *C-more* configuration (no mapping or translations required). You can connect multiple *C-more* HMIs to multiple PLC types on one network.



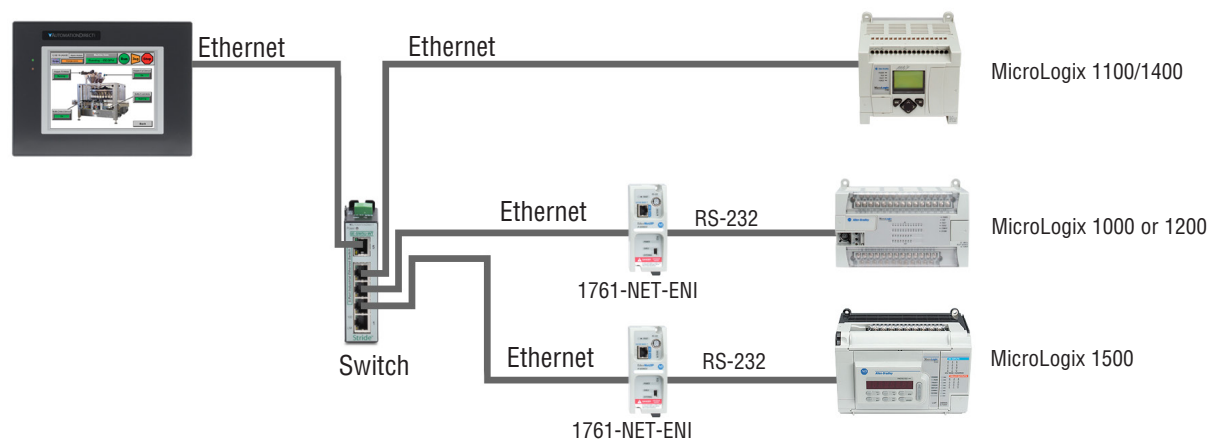
SLC 500 Ethernet and ENI Driver

Connect to the native Ethernet port on SLC 5/05, and to SLC 5/03 and SLC 5/04 through a 1761-NET-ENI DFI serial-to-Ethernet converter.



MicroLogix 1100/1400 Ethernet and ENI Driver

Connect to the native Ethernet port on MicroLogix 1100/1400, and to MicroLogix 1000, 1200 and 1500 through a 1761-NET-ENI DFI serial-to-Ethernet converter.

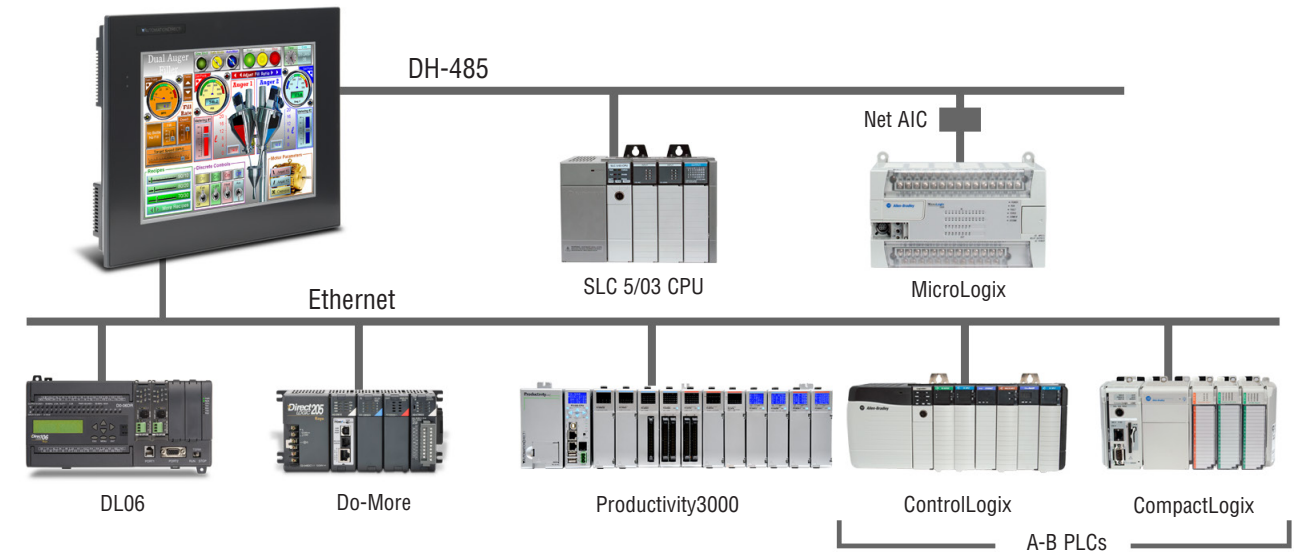


Simultaneous Communications and Panel Pass-through

Connect multiple brands of PLC/PACs

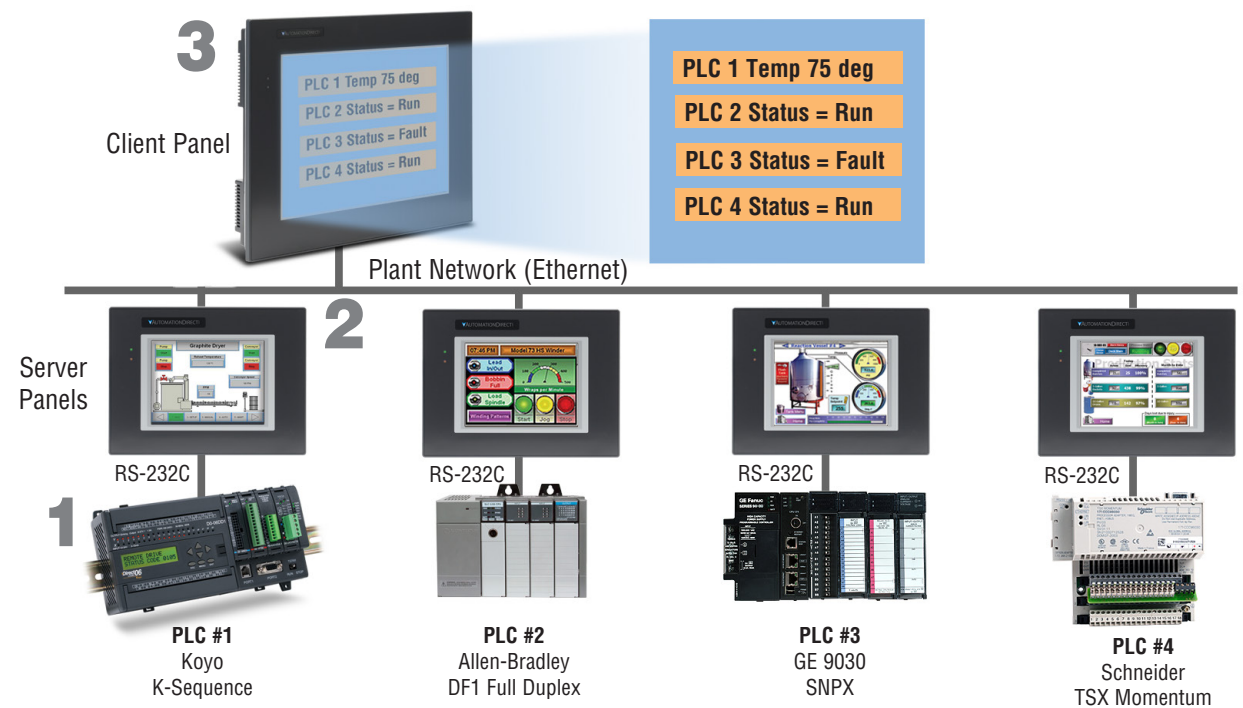
Connect multiple brands of PLC/PACs to *C-more* and communicate with them simultaneously. Use the Event Manager to periodically send tag values from one controller to another or when certain conditions are met.

C-more can even act as a "protocol bridge", passing values back and forth between PLC/PACs that use different protocols.



Panel pass-through

C-more panels can access data from supported controllers attached to other *C-more* panels via an Ethernet connection.



- 1 Each PLC is operating a separate application and is connected to a *C-more* panel through a Serial Connection.
- 2 Each *C-more* is configured as usual. When the client panel is configured, the server panels will pass through data from the PLCs to the client.
- 3 The *C-more* client panel is configured to display the data collected from each PLC connected through a *C-more* server panel.