

# NEMA 12 and 13 Operator Consolets



## Applications

- Designed for use as electric, hydraulic or pneumatic control and instrument enclosures.
- Ideal for flat surface mounting or pedestal mounting to provide the necessary 30° or 60° control slope.
- Provides protection from dirt, dust, oil and water.

## Construction

- Formed 14 gauge steel.
- Smooth, continuously welded seams.
- Construction provides either 30° or 60° slope on front cover depending on mounting position.
- Continuously hinged cover may be removed by pulling the hinge pin.
- Captive cover screws thread into sealed wells.
- Oil-resistant gasket and adhesive.
- A bonding stud is provided on the door and a ground stud is provided on the enclosure.

## Finish

- Cover and enclosure are phosphatized and finished in ANSI 61 gray powder coating.

## Listings

- UL 508A Type 12 and 13 [UL File E65324]
- CSA Type 12 and 13 [CSA File LR21001]
- Complies with
  - NEMA Type 12 and 13
  - IEC 60529, IP54



### Shipping Schedule

Same day 1 - 15 days

Color indicates shipping lead time in business days.

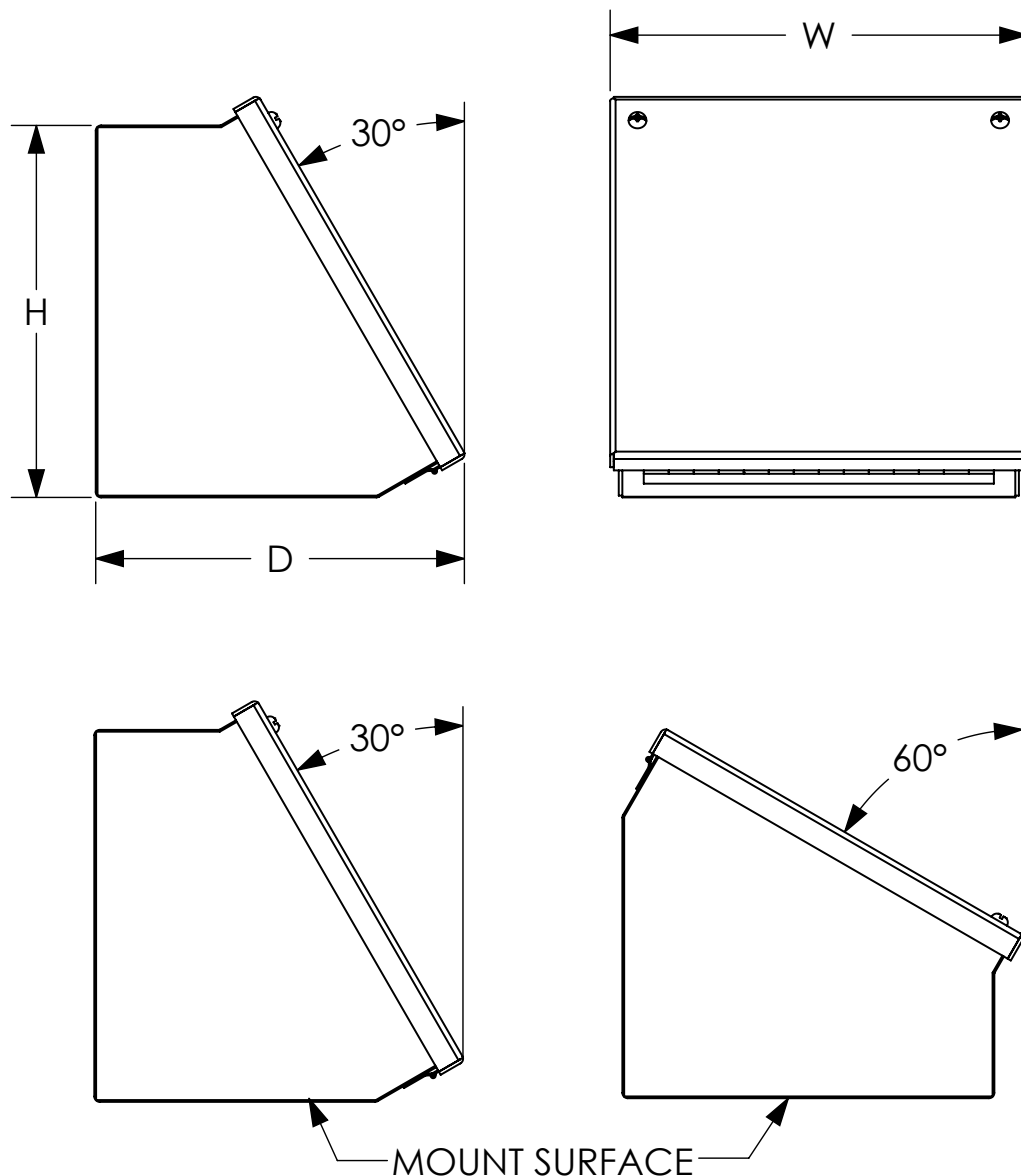
NEMA 12 and 13 Operator Consolets		
Part Number	Price	Console Size HxWxD
1488EE7	\$115.00	8.05 x 8.34 x 7.41 [204 x 212 x 188]
1488EH7	\$127.00	8.05 x 12.34 x 7.41 [204 x 313 x 188]
1488EJ7	\$140.00	8.05 x 16.34 x 7.41 [204 x 415 x 188]
1488EL7	\$156.00	8.05 x 20.34 x 7.41 [204 x 517 x 188]
1488HH9	\$148.00	11.51 x 12.34 x 9.37 [292 x 313 x 238]
1488HJ9	\$165.00	11.51 x 16.34 x 9.37 [292 x 415 x 238]
1488HL9	\$187.00	11.51 x 20.34 x 9.37 [292 x 517 x 238]
1488HN9	\$204.00	11.51 x 24.34 x 9.37 [292 x 618 x 238]
1488JL11	\$213.00	14.97 x 20.34 x 11.37 [380 x 517 x 289]
1488JN11	\$234.00	14.97 x 24.34 x 11.37 [380 x 618 x 289]
1488JQ11	\$274.00	14.97 x 30.34 x 11.37 [380 x 771 x 289]
1488JS11	\$308.00	14.97 x 36.34 x 11.37 [380 x 923 x 289]
1488JJ11	\$191.00	14.98 x 16.34 x 11.37 [380 x 415 x 289]
1488LL13	\$252.00	18.44 x 20.34 x 13.37 [468 x 517 x 340]
1488LN13	\$280.00	18.44 x 24.34 x 13.37 [468 x 618 x 340]
1488LQ13	\$312.00	18.44 x 30.34 x 13.37 [468 x 771 x 340]

Dimensions in inches [millimeters]

# NEMA 12 and 13 Operator Consolets



## Dimensions



CONSOLE CAN BE POSITIONED AT 30° OR 60° ANGLE

See our website: [www.AutomationDirect.com](http://www.AutomationDirect.com) for complete engineering drawings.