

NEMA 12 and 13 Pushbutton Wall Mount



Applications

- Designed to accept standard heavy duty oil-tight pushbuttons, switches and pilot lights.
- Provides protection from dirt, dust, oil and water.

Construction

- Smooth continuously welded seams.
- Welded brackets provide for enclosure mounting.
- Captive cover screws thread into sealed wells.
- Larger enclosures provide internally hinged removable covers, designed to hold the cover open during wiring (see table).
- Oil-resistant gasket and adhesive.
- A bonding stud is provided on the door and a grounding stud is provided on the enclosure.

Finish

- Cover and enclosure are phosphatized and finished in ANSI 61 gray powder coating.

Listings

- UL 508A Type 12 and 13 [UL File E65324]
- CSA Type 12 and 13 [CSA File LR21001]
- Complies with
 - NEMA Type 12 and 13
 - IEC 60529, IP54
- All appropriate components are required to maintain these standards.



| Shipping Schedule | |
|--|-------------|
| Same day | 1 - 15 days |
| Color indicates shipping lead time in business days. | |

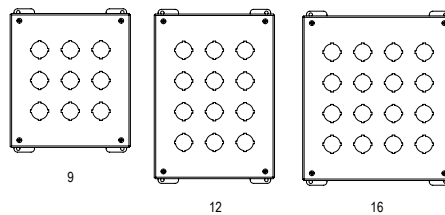
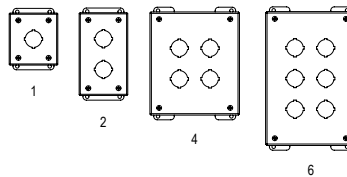
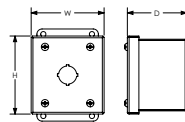
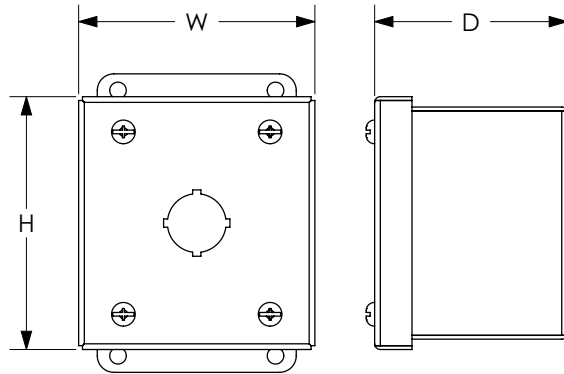
| NEMA 12 and 13 Pushbutton Wall Mount | | | | | | | |
|--------------------------------------|----------|--------------|----------|---------------------------------------|---------|-------------|--------|
| 22mm | Price | 30mm | Price | Size HxWxD | # Holes | Steel Gauge | Hinged |
| 1435MA | \$47.50 | 1435A | \$49.00 | 3.81 x 3.56 x 2.91 [97 x 90 x 74] | 1 | 16 | No |
| 1435MB | \$54.00 | 1435B | \$56.00 | 6.06 x 3.56 x 2.91 [154 x 90 x 74] | 2 | | No |
| 1435MC | \$61.00 | 1435C | \$63.00 | 8.31 x 3.56 x 2.92 [211 x 90 x 74] | 3 | 14 | No |
| 1435MF | \$78.00 | 1435F | \$80.00 | 7.56 x 6.56 x 3.22 [192 x 167 x 82] | 4 | | Yes |
| 1435MD | \$67.00 | 1435D | \$71.00 | 10.56 x 3.56 x 2.92 [268 x 90 x 74] | 4 | | No |
| 1435MH | \$89.00 | 1435H | \$92.00 | 9.81 x 6.56 x 3.22 [249 x 167 x 82] | 6 | | Yes |
| 1435MK | \$122.00 | 1435K | \$106.00 | 9.81 x 8.81 x 3.22 [249 x 224 x 82] | 9 | | |
| 1435MO | \$116.00 | 1435O | \$120.00 | 12.06 x 8.81 x 3.22 [306 x 224 x 82] | 12 | | Yes |
| 1435MS | \$133.00 | 1435S | \$138.00 | 12.06 x 11.06 x 3.22 [306 x 281 x 82] | 16 | | |

Note: Dimensions in inches [millimeters].

NEMA 12 and 13 Pushbutton Wall Mount



Dimensions



See our website: www.AutomationDirect.com for complete engineering drawings.