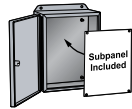


NEMA 12 Screwcover Pushbutton



Applications

- Designed to accept standard heavy duty oil-tight pushbuttons, switches and pilot lights.
- Provides protection from dirt, dust, oil and water.

Construction

- Formed 14 gauge steel.
- Smooth continuously welded seams.
- Welded brackets provide for enclosure mounting.
- Continuously hinged cover is secured with captive, plated steel screws which fasten into threaded sealed wells.
- Oil-resistant gasket and adhesive.
- Weldnuts are provided for mounting subpanels.
- A removable 14 gauge subpanel is included.
- A bonding stud is provided on the door and a grounding stud is provided in the enclosure.

Finish

- Cover and enclosure are phosphatized and finished in ANSI 61 gray powder coating.
- Removable subpanel is finished in RAL 9003 white powder coating.

Listings

- UL 508A Type 12 [UL File E65324]
- CSA Type 12 [CSA File LR21001]
- Complies with
 - NEMA Type 12
 - IEC 60529, IP54
- All appropriate components are required to maintain these standards.



Shipping Schedule	
Same day	1 - 15 days
Color indicates shipping lead time in business days.	

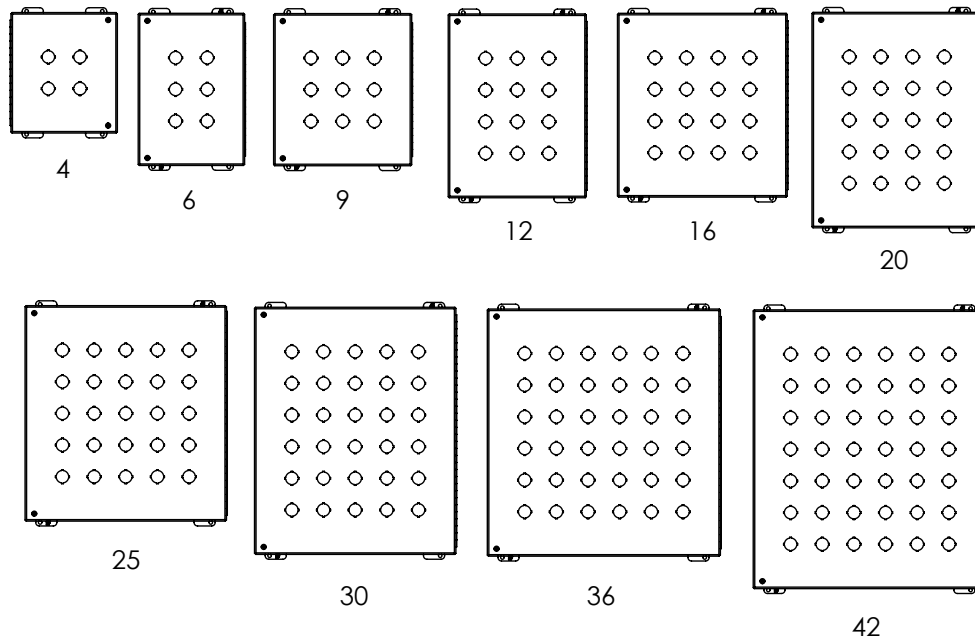
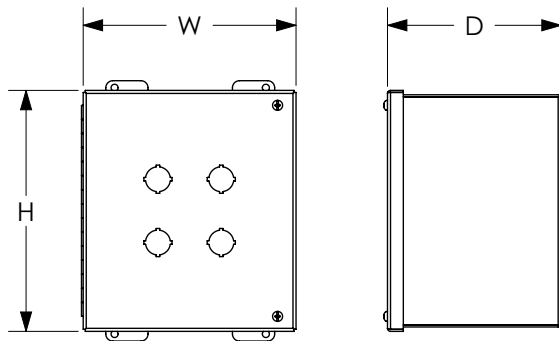
NEMA 12 Screwcover Pushbutton						
22mm Part Number	Price	30mm Part Number	Price	Console Size HxWxD	# Holes	Subpanel Dimensions
1489MP4	\$116.00	1489P4	\$120.00	8.56 x 7.56 x 6.17 [217 x 192 x 157]	4	6.25 x 5.25 [159 x 133]
1489MP6	\$134.00	1489P6	\$138.00	10.81 x 7.56 x 6.17 [275 x 192 x 157]	6	8.50 x 5.25 [216 x 133]
1489MP9	\$155.00	1489P9	\$160.00	10.81 x 9.81 x 6.17 [275 x 249 x 157]	9	8.50 x 7.50 [216 x 191]
1489MP12	\$176.00	1489P12	\$181.00	13.06 x 9.81 x 6.17 [332 x 249 x 157]	12	10.00 x 7.50 [254 x 191]
1489MP16	\$201.00	1489P16	\$207.00	13.06 x 12.06 x 6.17 [332 x 306 x 157]	16	10.75 x 9.75 [273 x 248]
1489MP20	\$225.00	1489P20	\$232.00	15.31 x 12.06 x 6.17 [389 x 306 x 157]	20	13.00 x 9.75 [330 x 248]
1489MP25	\$252.00	1489P25	\$260.00	15.31 x 14.31 x 6.17 [389 x 363 x 157]	25	13.00 x 12.00 [330 x 305]
1489MP30	\$280.00	1489P30	\$288.00	17.56 x 14.31 x 6.17 [446 x 363 x 157]	30	15.25 x 12.00 [387 x 305]
1489MP36	\$311.00	1489P36	\$321.00	17.56 x 16.56 x 6.17 [446 x 421 x 157]	36	15.25 x 14.25 [387 x 362]
1489MP42	\$341.00	1489P42	\$351.00	19.81 x 16.56 x 6.17 [503 x 421 x 157]	42	17.50 x 14.25 [455 x 362]

Note: Dimensions in inches [millimeters]

NEMA 12 Screwcover Pushbutton



Dimensions



See our website: www.AutomationDirect.com for complete engineering drawings.