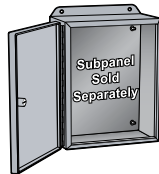


NEMA 4 and 4X Operator Consolets



Applications

- Serves as an economical housing for operator interface applications.
- Provides an ideal sloped surface for mounting keyboards, switches, indicator lights, and/or dials.
- Provides panel mounting capabilities for a variety of applications.
- Generally used as a stand alone enclosure. Possible to put side by side with base on a single plinth (ie. 36" wide console with 24" base with terminal all together on a 60" plinth).
- Optional casters (require plinth) allow for a completely mobile, NEMA rated work station.
- Smooth lines and clean edges provide an attractive, contemporary appearance.

- Doors can be hinged from either side on 24in and 36in units.
- Door profiles provide increased strength and are pre-punched to provide mounting options.
- Formed lip on enclosure excludes flowing liquids and contaminants.
- Slotted 1/4-turn oil-tight latches secure the door and lid, with optional tamper resistant and locking latches available.
- Stainless steel models utilize stainless steel hardware.
- Oil-resistant gaskets are permanently secured.
- Features internal stud locations for mounting optional subpanel.
- A bonding screw is provided on the door, and a grounding stud is provided in the enclosure.

Shipping Schedule	
Same day	1 - 15 days
Color indicates shipping lead time in business days.	

Construction

- Formed 14 gauge steel bodies with 14 gauge steel door and lid.
- Also offered with formed 14 gauge 304 stainless steel bodies with 14 gauge 304 stainless steel door and lid.
- Smooth, continuously welded seams without knockouts or holes.
- Body stiffeners are provided where required for increased strength and rigidity.
- Offered in 4 widths 24in, 36in, 48in and 60in.
- Has solid sides and back, solid door on front, 3-point adjustable lid on sloped (20°) top, and closed bottom with removable access panel.
- 24in and 36in widths have Single-Door on the front, whereas 48in and 60in widths have two outside hinged doors on the front.

Finish

- Available in RAL 7035 light gray textured powder coating and natural stainless steel with a smooth, brushed finish.
- Optional subpanel finished in RAL 9003 white powder coat.

Listings

- UL 508A Type 3R, 4 and 12 (Stainless Steel, add 4X) [UL File E65324]
- CSA Type 3R, 4, 12, 13 (Stainless Steel, add 4X) [CSA File LR21001]
- EIA RS-310-D
- Complies with
 - NEMA Type 3R, 4, 12 (Stainless Steel, add 4X)
 - IEC 60529, IP66



NEMA 4 and 4X Operator Consolets							
Steel	Price	Stainless	Price	Console Size HxWxD	Optional Subpanels	Price	Subpanel Size HxW
2CLC2024	\$1,331.00	2CSC2024	\$1,823.00	38.81 x 24.00 x 21.00 [986 x 610 x 533]	2CWCP24	\$111.00	30.50 x 20.50in
2CLC2036	\$1,549.00	2CSC2036	\$2,124.00	38.81 x 36.00 x 21.00 [986 x 914 x 533]	2CWCP36	\$138.00	30.50 x 32.50in
2CLC2048	\$2,137.00	2CSC2048	\$2,930.00	38.81 x 48.00 x 21.00 [986 x 1219 x 533]	2CWCP48	\$170.00	30.50 x 44.50in
2CLC2060	\$2,502.00	2CSC2060	\$3,429.00	38.81 x 60.00 x 21.00 [986 x 1524 x 533]986	2CWCP60	\$207.00	30.50 x 56.50in

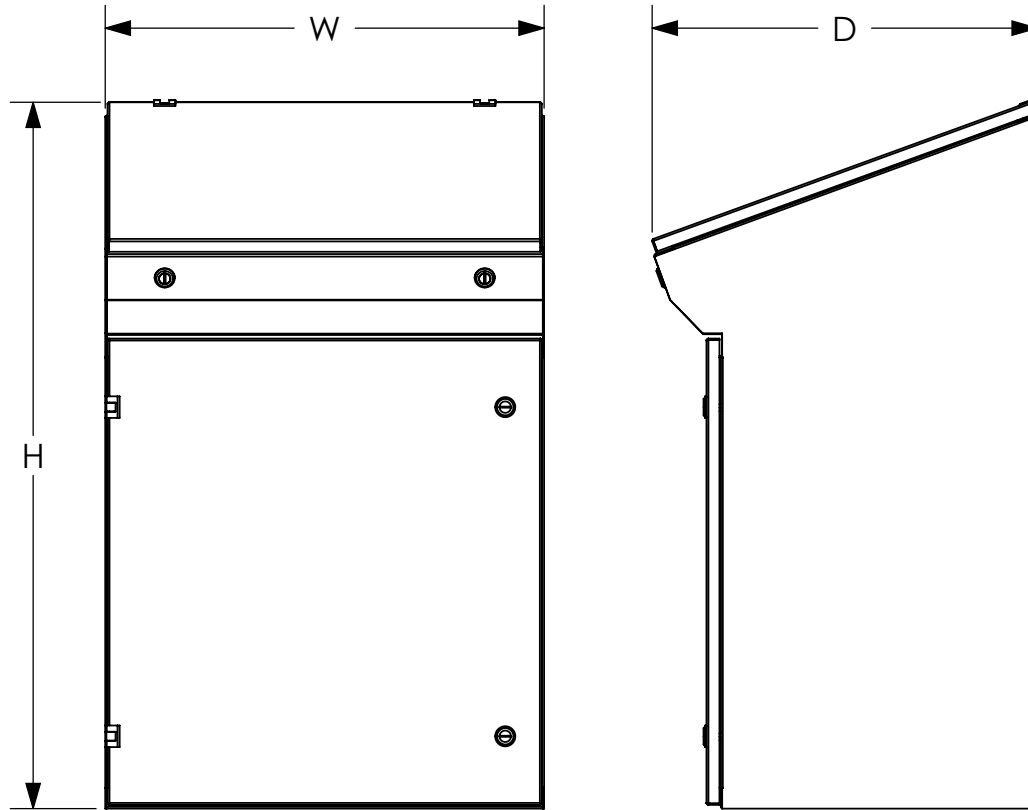
Note: Dimensions in inches [millimeters]

NEMA 4 and 4X Operator Consolet

Dimensions



Consolet



2CLC2024

See our website: www.AutomationDirect.com for complete engineering drawings.

