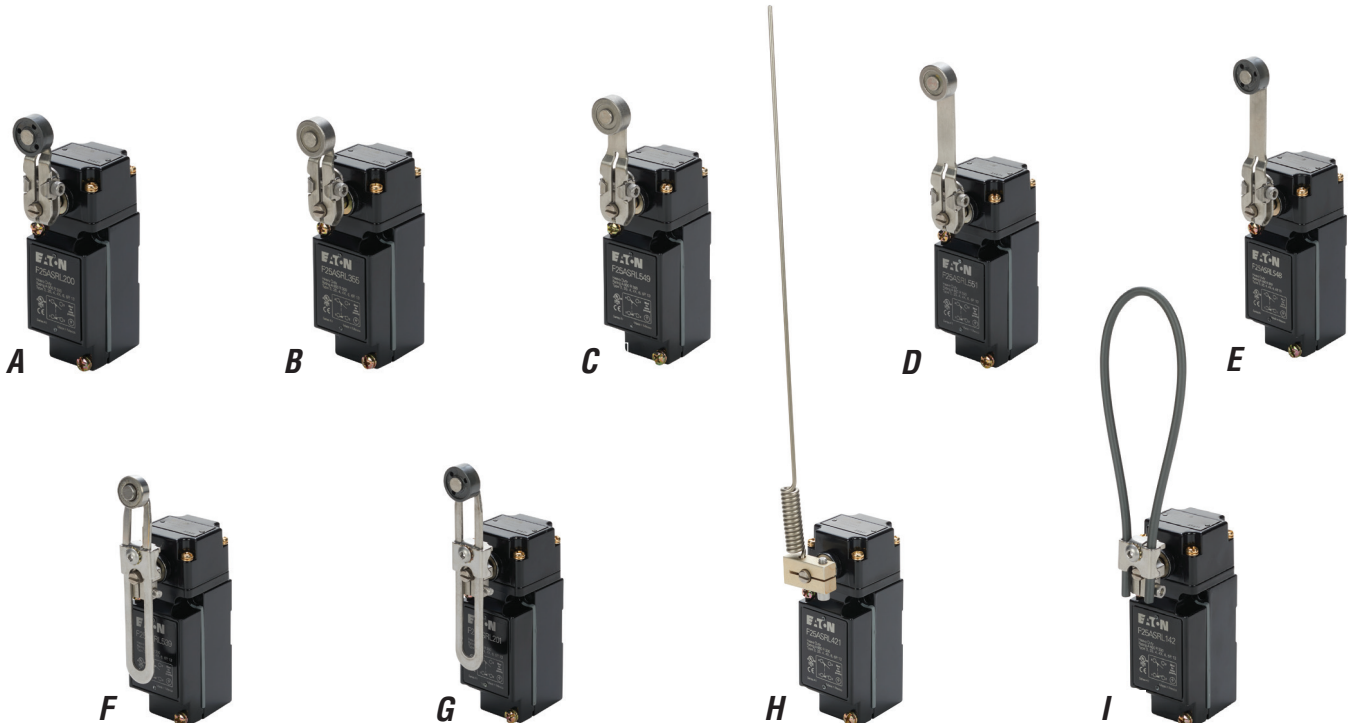


# Eaton Limit Switches

## F25 Series NEMA Limit Switches

- 9 side rotary heads available
- 90-degree adjustable head. Levers are adjustable to any angle on the operating shaft.
- Die-cast zinc housing for industrial applications
- Fully assembled out of box
- SPDT and DPDT snap action configurations available
- 1/2 inch NPT conduit opening
- Contact patterns similar to those of leading competitors

| F25 Series         |          |   |                      |                            |              |                           |          |          |
|--------------------|----------|---|----------------------|----------------------------|--------------|---------------------------|----------|----------|
| Part Number        | Price    | Actuator Type   | Snap Action Contacts | Travel to Operate Contacts | Total Travel | Force to Operate Contacts | Diagram  | Photo    |
| <b>Side Rotary</b> |          |   |                      |                            |              |                           |          |          |
| F25ASRL200         | \$100.00 | 1.5 inch stainless steel lever with Nylatron roller               | 1 N.O., 1 N.C.       | 5°                         | 90°          | 3 lb•in<br>(0.34 N•m)     | Figure 1 | A        |
| F25BSRL200         | \$123.00 |   | 2 N.O., 2 N.C.       |                            |              |                           |          | Figure 1 |
| F25ASRL355         | \$100.00 | 1.5 inch stainless steel lever with metal roller                  | 1 N.O., 1 N.C.       |                            |              |                           | Figure 2 |          |
| F25BSRL355         | \$123.00 |   | 2 N.O., 2 N.C.       |                            |              |                           |          | Figure 3 |
| F25ASRL549         | \$110.00 | 2 inch stainless steel lever with metal roller                    | 1 N.O., 1 N.C.       |                            |              |                           | Figure 3 |          |
| F25BSRL549         | \$133.00 |   | 2 N.O., 2 N.C.       |                            |              |                           |          | Figure 4 |
| F25ASRL551         | \$111.00 | 3 inch stainless steel lever with metal roller                    | 1 N.O., 1 N.C.       |                            |              |                           | Figure 5 |          |
| F25BSRL551         | \$134.00 |   | 2 N.O., 2 N.C.       |                            |              |                           |          | Figure 6 |
| F25ASRL548         | \$111.00 | 3 inch stainless steel lever with Nylatron roller                 | 1 N.O., 1 N.C.       |                            |              |                           | Figure 7 |          |
| F25BSRL548         | \$134.00 |   | 2 N.O., 2 N.C.       |                            |              |                           |          |          |
| F25ASRL539         | \$114.00 | Adjustable stainless steel lever with ball bearing roller         | 1 N.O., 1 N.C.       |                            |              |                           |          |          |
| F25BSRL539         | \$137.00 |   | 2 N.O., 2 N.C.       |                            |              |                           |          |          |
| F25ASRL201         | \$110.00 | Side rotary adjustable stainless steel lever with Nylatron roller | 1 N.O., 1 N.C.       |                            |              |                           |          |          |
| F25BSRL201         | \$133.00 |   | 2 N.O., 2 N.C.       |                            |              |                           |          |          |
| F25ASRL421         | \$110.00 | Adjustable spring stainless steel rod                             | 1 N.O., 1 N.C.       |                            |              |                           |          |          |
| F25BSRL421         | \$133.00 |   | 2 N.O., 2 N.C.       |                            |              |                           |          |          |
| F25ASRL142         | \$110.00 | 6 inch Nylatron loop  | 1 N.O., 1 N.C.       |                            |              |                           |          |          |
| F25BSRL142         | \$133.00 |   | 2 N.O., 2 N.C.       |                            |              |                           |          |          |

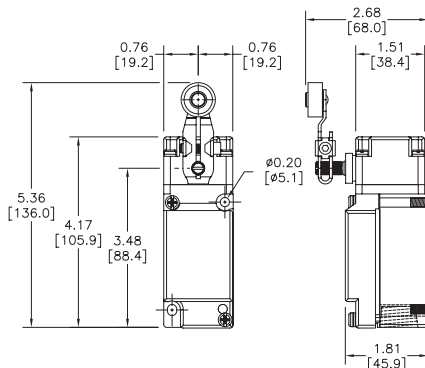


# Eaton Limit Switches Dimensions

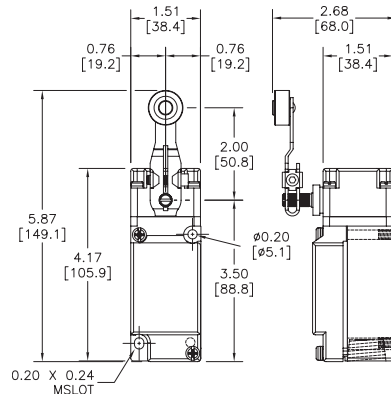
## Dimensions

inches [mm]

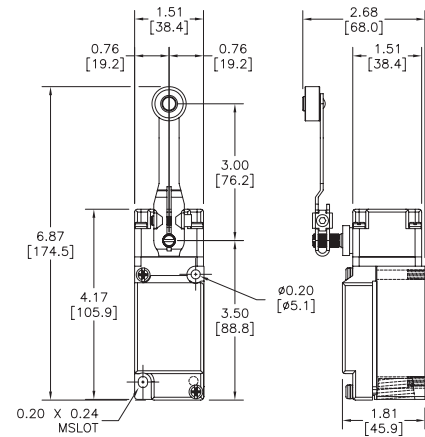
**Figure 1**



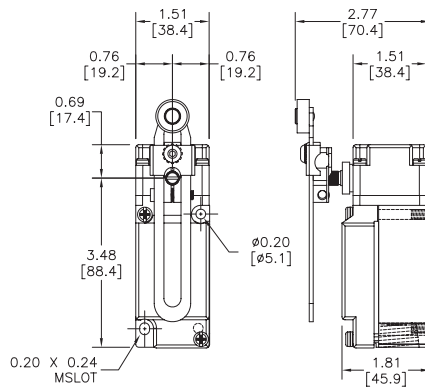
**Figure 2**



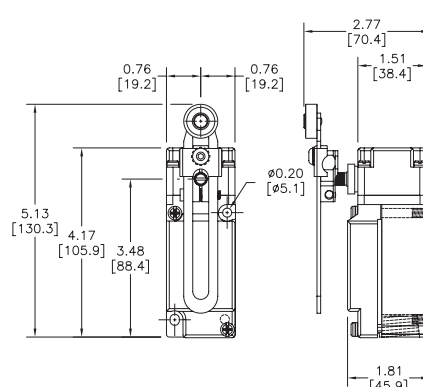
**Figure 3**



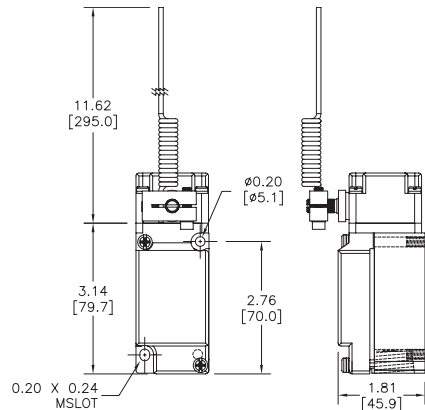
**Figure 4**



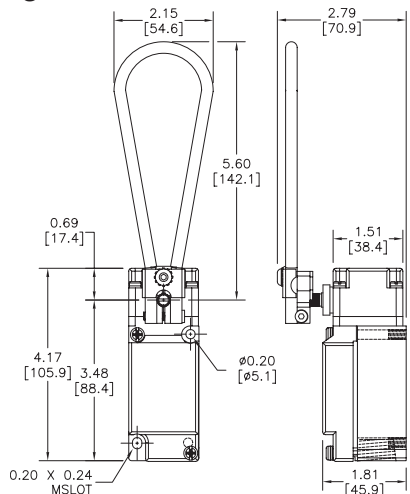
**Figure 5**



**Figure 6**



**Figure 7**

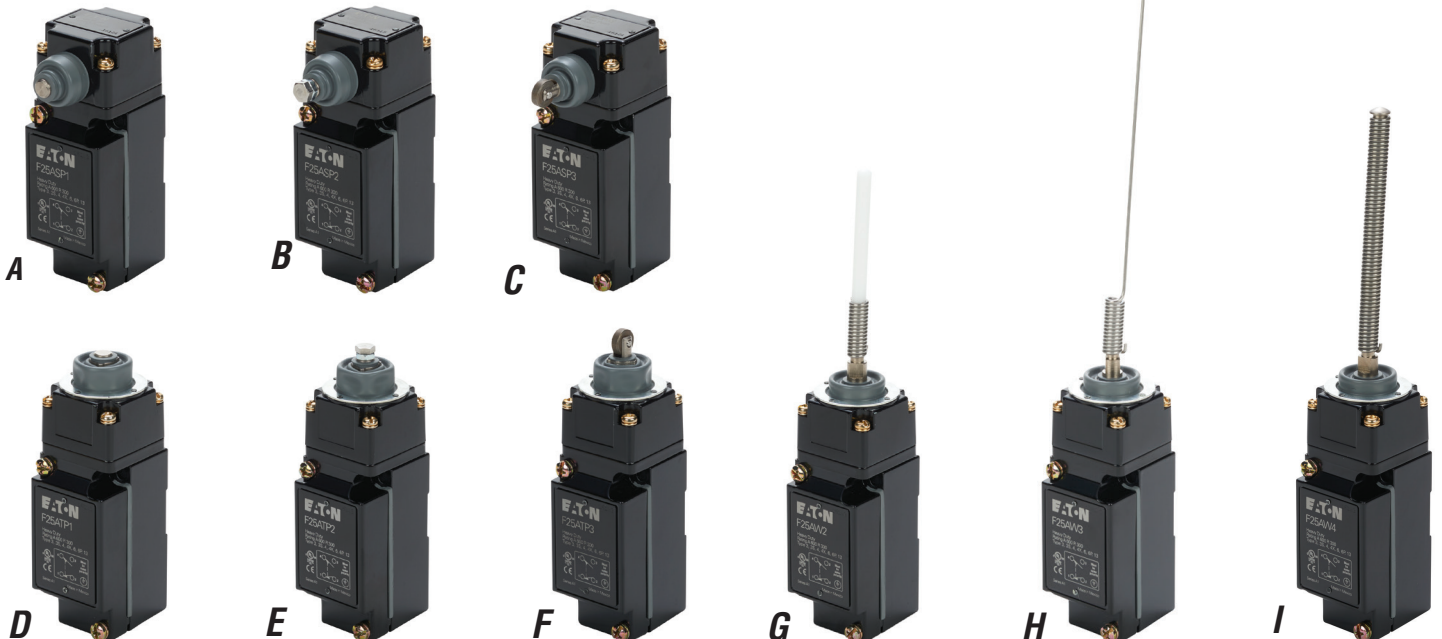


# Eaton Limit Switches

## F25 Series NEMA Limit Switches

- 6 push and 3 wobble heads available
- 90-degree adjustable head
- Die cast zinc housing for industrial applications
- Fully assembled out of box
- SPDT and DPTD snap action configurations available
- 1/2 in NPT conduit opening
- Contact patterns similar to those of leading competitors

| F25 Series         |          |                                      |                      |                            |                        |                           |          |       |
|--------------------|----------|--------------------------------------|----------------------|----------------------------|------------------------|---------------------------|----------|-------|
| Part Number        | Price    | Actuator Type                        | Snap Action Contacts | Travel to Operate Contacts | Total Travel           | Force to Operate Contacts | Diagram  | Photo |
| <b>Side Push</b>   |          |                                      |                      |                            |                        |                           |          |       |
| F25ASP1            | \$104.00 | Side metal plunger                   | 1 N.O., 1 N.C.       | 0.065 in<br>(1.651 mm)     | 0.290 in<br>(7.366 mm) | 4lb<br>(1.81 kg)          | Figure 1 | A     |
| F25BSP1            | \$132.00 |                                      | 2 N.O., 2 N.C.       |                            |                        |                           |          |       |
| F25ASP2            | \$118.00 | Side metal plunger adjustable        | 1 N.O., 1 N.C.       |                            |                        |                           |          |       |
| F25BSP2            | \$144.00 |                                      | 2 N.O., 2 N.C.       |                            |                        |                           |          |       |
| F25ASP3            | \$118.00 | Side metal plunger with metal roller | 1 N.O., 1 N.C.       |                            |                        |                           |          |       |
| F25BSP3            | \$141.00 |                                      | 2 N.O., 2 N.C.       |                            |                        |                           |          |       |
| <b>Top Push</b>    |          |                                      |                      |                            |                        |                           |          |       |
| F25ATP1            | \$98.00  | Metal plunger                        | 1 N.O., 1 N.C.       | 0.040 in<br>(1.00 mm)      | 0.280 in<br>(7.366 mm) | 4lb<br>(1.81 kg)          | Figure 4 | D     |
| F25BTP1            | \$124.00 |                                      | 2 N.O., 2 N.C.       |                            |                        |                           |          |       |
| F25ATP2            | \$118.00 | Metal plunger adjustable             | 1 N.O., 1 N.C.       |                            |                        |                           |          |       |
| F25BTP2            | \$144.00 |                                      | 2 N.O., 2 N.C.       |                            |                        |                           |          |       |
| F25ATP3            | \$104.00 | Metal plunger with metal roller      | 1 N.O., 1 N.C.       |                            |                        |                           |          |       |
| F25BTP3            | \$132.00 |                                      | 2 N.O., 2 N.C.       |                            |                        |                           |          |       |
| <b>Wobble Head</b> |          |                                      |                      |                            |                        |                           |          |       |
| F25AW2             | \$96.00  | 360 degree nylon rod                 | 1 N.O., 1 N.C.       | 10°                        | 15°                    | 2 lb•in<br>(1.23 N•m)     | Figure 7 | G     |
| F25BW2             | \$135.00 |                                      | 2 N.O., 2 N.C.       |                            |                        |                           |          |       |
| F25AW3             | \$96.00  | 360 degree stainless steel rod       | 1 N.O., 1 N.C.       |                            |                        |                           |          |       |
| F25BW3             | \$135.00 |                                      | 2 N.O., 2 N.C.       |                            |                        |                           |          |       |
| F25AW4             | \$98.00  | 360 degree stainless steel spring    | 1 N.O., 1 N.C.       |                            |                        |                           |          |       |
| F25BW4             | \$135.00 |                                      | 2 N.O., 2 N.C.       |                            |                        |                           |          |       |

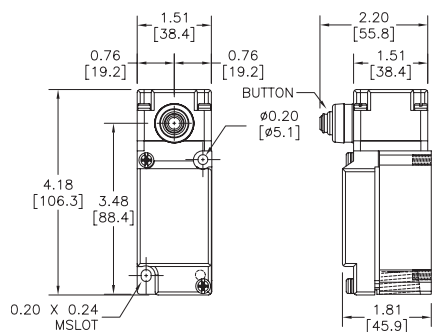


# Eaton Limit Switches Dimensions

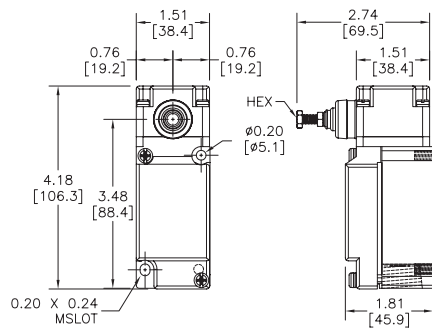
## Dimensions

inches [mm]

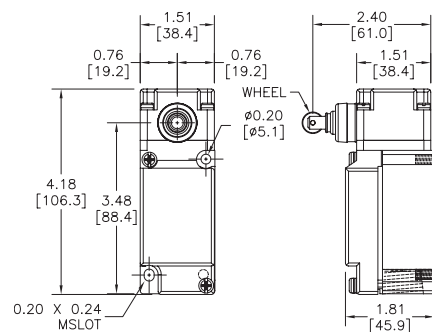
**Figure 1**



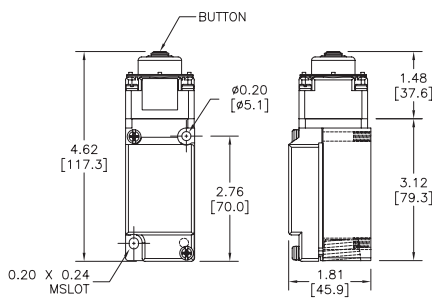
**Figure 2**



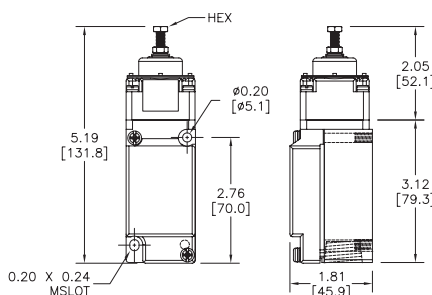
**Figure 3**



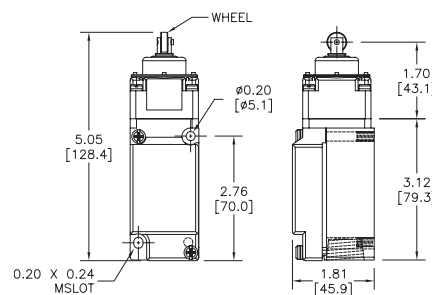
**Figure 4**



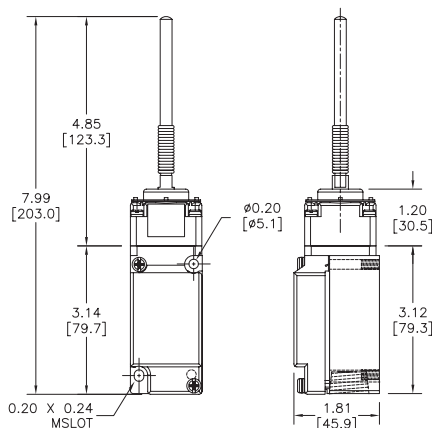
**Figure 5**



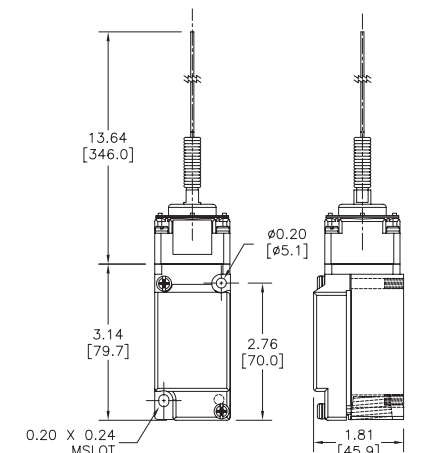
**Figure 6**



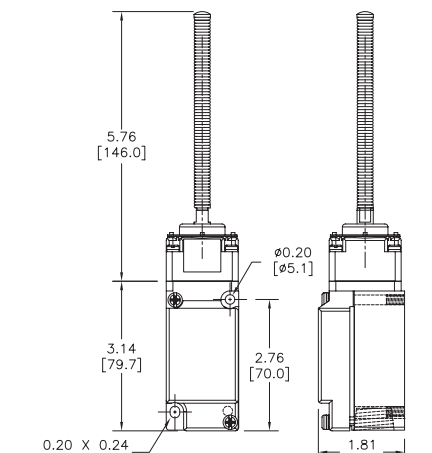
**Figure 7**



**Figure 8**



**Figure 9**



# Eaton Limit Switches General Specifications

| Environmental   |   |  |
|---|---|--|
| <b>Degree of Protection</b>                           | NEMA 3, 3S, 4, 4X, 6, 6P, 13<br>IP67  |  |
| <b>Temperature Range</b>                              | Side Rotary 10°F (-12°C) to 200°F (94°C)<br>Side Push 14°F (-10°C) to 200°F (94°C)<br>Wobble 14°F (-10°C) to 250°F (121°C)              |  |
| Mechanical Ratings                                    |   |  |
| <b>Repeat Accuracy</b>                                | Side Operated: Within 0.0012in. (0.0305mm)<br>Side Push: Within 0.003in. (0.076mm)<br>Top Push: Within 0.002in. (0.051mm)               |  |
| <b>Mechanical Life</b>                                | Side Rotary: 13 million operations minimum<br>Side and Top Push: 10 million operations minimum<br>Wobble: 10 million operations minimum |  |
| <b>Conduit Entrance</b>                               | 1/2 in NPT  |  |
| <b>Enclosure Material</b>                             | Die-cast zinc alloy   |  |
| Contact Blocks Rating                                 |   |  |
| <b>Contact Rating</b>                                 | NEMA A600 R300  |  |
| <b>Electrical Ratings</b>                             | <b>AC</b>   | Make: 60A at 120VAC; 30A at 240VAC; 15 A at 480 VAC; 12 A at 600VAC<br>Break: 6A at 120VAC; 3A at 240VAC; 1.5 A at 480 VAC; 1.2 A at 600VAC<br>Continuous: 10A at 480VAC |
|   | <b>DC</b>   | Make: 0.25 at 120VDC; 0.125 A at 240VDC  |
| <b>Maximum Switching Frequency</b>                    | 8000 operations per hour  |  |
| <b>Electrical Life</b>                                | Single Pole: 1,000,000 operations typical at full load<br>Double Pole: 100,000 operations typical at full load                          |  |
| <b>Wiring Connections</b>                             | AWG #12 through #18 AWG Wire  |  |
| <b>Torque Requirements</b>                            | Switch Body Screws 25 - 30 in-lb (2.8 - 3.4 Nm)<br>Operating Head Screws 14 - 18 in-lb (1.6 - 2.0 Nm)                                   |  |
| Agency Approvals                                      |   |  |
| cULus 170645 all versions                             |   |  |
| F25Ax versions have CE, All units are Reach compliant |   |  |



## Connection Diagram

Connection diagram - SPDT, DPDT

The following connection diagram appears on the switch body nameplate.

