

Jet Pump (Centrifugal), Single-Phase Totally Enclosed Motors

C-Face Footless, 56J



Features

- Service Factor is 1.0 or 1.5, depending on model
- Double-sealed ball bearings, mechanically locked on shaft end
- Capacitor start/capacitor run design for higher efficiency, as noted
- Automatic reset thermal protector
- 416 stainless steel threaded shaft with slinger (NEMA 56 frame)
- Drip cover not included
- UL Recognized and CSA Certified

Applications

- Typical uses include: jet pumps and jet pump motor replacements.



Motor Shipping Schedule *		
Same or one day *	Up to 7 days	Up to 10 days
Color indicates shipping lead time in business days. Check stock status online.		
* Certain heavy and oversized items can be shipped only via LTL. Check our website for current shipping method constraints by part number.		

Motor Specifications – Jet Pump (Centrifugal) Single-Phase Totally Enclosed Motors										
Part Number*	Price	HP	Base RPM	Volts	Encl.	NEMA Design	NEMA Frame	Model No.	Weight (lb)*	Footnotes
C1336	\$259.00	1/3	3600	115/230	TEFC	N/A**	56J	5KC33FN4180X	13.5	None
C465	\$321.00	1/2						5KC39QN3218X	24.5	15 Model on nameplate may be 5KC39QN3218GX
C352	\$368.00	1						5KC49NN2135X	29	15
C878	\$554.00	2						5KCR49TN2164T	38	ES,1,15
<p>* Refer to the Motor Shipping Schedule table for shipping information. Certain heavy and oversized items can be shipped only via LTL. Check our website for current shipping method constraints by part number.</p> <p>** Data not available from manufacturer.</p> <p>Footnotes: 1 = Capacitor Start/Capacitor Run design for reduced amperage 15 = Fixed CW Rotation, viewing opposite shaft (or lead end) of motor ES = Energy Saver Design</p> <p>Note: Please review the AutomationDirect Terms & Conditions for warranty and service on this product. Warranty service can be arranged through numerous Marathon Electric service centers. See list of service centers on our Website at www.automationdirect.com.</p>										

Jet Pump (Centrifugal), Single-Phase Totally Enclosed Motors

C-Face Footless, 56J

Performance Data

Performance Data Single-Phase 56J Frame Motors (230V/60Hz except as indicated) Jet Pump (Centrifugal) Totally Enclosed Motors											
Part Number	HP	F.L. RPM	Current @ 115V/230V (Amps)			Torque (lb-ft)			F.L. Effic. %	F.L. Power Factor	Rotor Inertia (lb-ft ²)
			No Load 230V	Full Load 115/230V	Locked Rotor	Full Load	Locked Rotor	Break-down			
C1336	1/3	3450	2.3	5.6/2.8	14	0.51	1.33	1.51	N/A**	N/A**	0.012
C465	1/2	3450	2.8	7.4/3.7	20.5	0.76	1.18	2.29	N/A**	N/A**	0.017
C352	1	3450	3.6	13.0/6.5	40.5	1.52	3.07	4.14	N/A**	N/A**	0.036
C878	2	3450	1.27	17.8/8.9	52.8	3.04	4.60	6.12	N/A**	N/A**	0.055

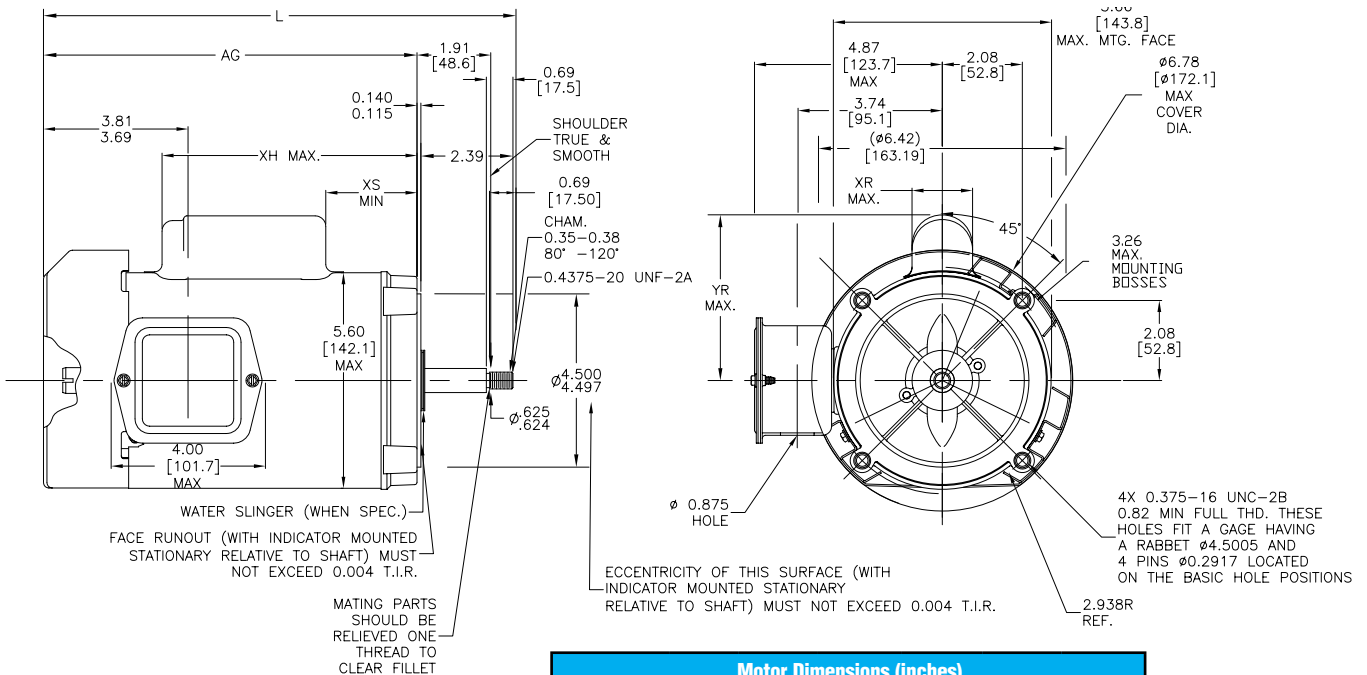
* Maximum Constant HP RPM is for direct-coupled loads.
** Data not available from manufacturer

See our website: www.AutomationDirect.com for complete engineering drawings.

Dimensions

in [mm]

Figure 1 – C1336, C465, C352 Dimensions



Motor Dimensions (inches)						
Part Number	L	AG	XH	XR	XS	YR
C1336	11.87	9.28	6.61	1.60	1.43	4.34
C465	11.87	9.28	6.61	1.60	1.43	4.34
C352	12.87	10.28	7.61	1.60	2.03	4.34

Jet Pump (Centrifugal), Single-Phase Totally Enclosed Motors

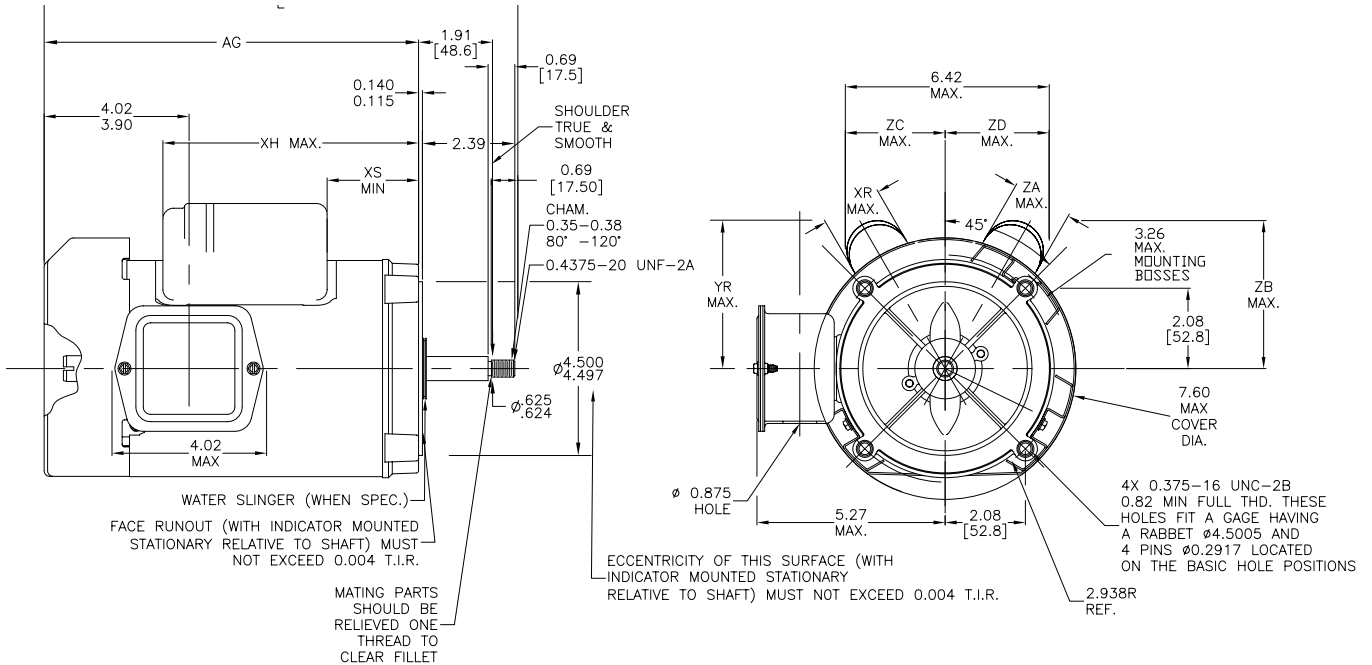


C-Face Footless, 56J

Dimensions

in [mm]

Figure 2 – C878 Dimensions



Motor Dimensions (inches)										
Part Number	L	AG	XH	XR	XS	YR	ZA	ZB	ZC	ZD
C878	14.56	12.16	8.63	2.15	2.88	4.68	2.40	4.90	3.20	3.38