

22mm Pushbutton NEMA 12 and 13 Wall Mount



Applications

Designed to hold all standard 22mm brands of miniature oil-tight pushbuttons, switches and pilot lights. Provide protection from dirt, dust, oil and water.

Construction

- Fabricated from 14 gauge steel
- Closed cell oil-resistant neoprene gasket
- Continuously welded seams ground smooth
- External mounting feet, top and bottom of enclosure
- Captivated cover screws thread into sealed wells
- Standard "4-way" miniature pushbutton holes accept all brands of oil-tight pushbuttons, switches and pilot lights
- Enclosures with 6 or more holes have internal detachable hinges to hold cover open during wiring, yet permit quick removal
- Grounding provisions provided

Finish

- ANSI 61 gray polyester powder inside and out over phosphatized surfaces

Listings

- UL 508, Types 12 & 13 [UL File E64791]
- NEMA/EEMAC Types 12 & 13



| Enclosure Shipping Schedule | | | | | |
|-----------------------------|------------|------------|------------|-------------|-------------|
| Same day | 1 - 5 days | 1 - 7 days | 1 -10 days | 1 - 15 days | 1 - 20 days |

Color indicates shipping lead time in business days.

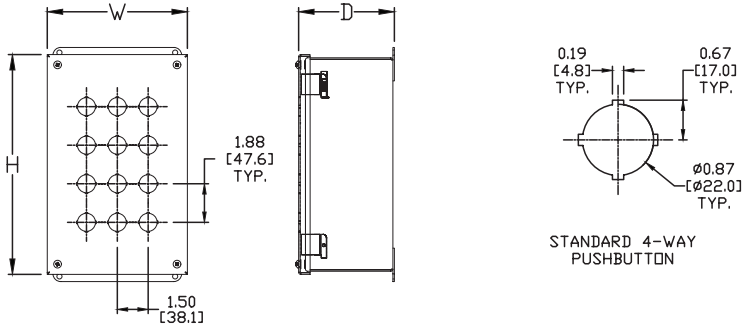
| 22mm Pushbutton NEMA 12 and 13 Wall Mount | | | |
|---|----------|---------|---------------------------------------|
| Part Number | Price | # Holes | Size HxWxD |
| PBGX1 | \$54.00 | 1 | 3.56 x 3.06 x 3.83 [90 x 78 x 97] |
| PBGX2 | \$56.00 | 2 | 5.44 x 3.06 x 3.83 [138 x 78 x 97] |
| PBGX3 | \$67.00 | 3 | 7.31 x 3.06 x 3.83 [186 x 78 x 97] |
| PBGX4 | \$74.00 | 4 | 9.19 x 3.06 x 3.83 [233 x 78 x 97] |
| PBGX6 | \$94.00 | 6 | 8.81 x 5.31 x 4.58 [224 x 135 x 116] |
| PBGX9 | \$126.00 | 9 | 8.81 x 6.81 x 4.58 [224 x 173 x 116] |
| PBGX12 | \$116.00 | 12 | 10.69 x 6.81 x 4.58 [272 x 173 x 116] |
| PBGX20 | \$128.00 | 20 | 12.56 x 8.31 x 4.58 [319 x 211 x 116] |
| PBGX25 | \$139.00 | 25 | 12.56 x 9.81 x 4.58 [319 x 249 x 116] |

Note: Dimensions in inches [millimeters]

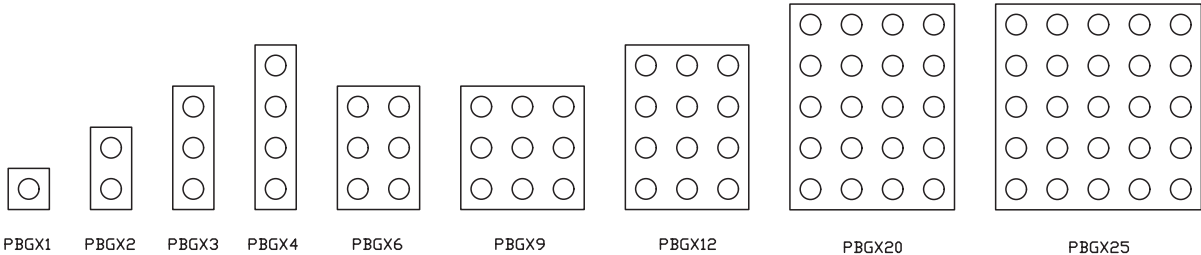
22mm Pushbutton NEMA 12 and 13 Wall Mount

Dimensions

in [mm]



PBGX HOLE ARRANGEMENTS



See our website: www.AutomationDirect.com for complete engineering drawings.