

30mm Pushbutton with 2.5in Hole Spacing, NEMA 12 and 13 Wall Mount



Applications

Designed to hold 30mm oil-tight pushbuttons, switches and pilot lights with extra size to allow 2.5" between centers of pushbutton holes. Provides protection from dirt, dust, oil and water.

Construction

- Fabricated from 14 gauge steel
- Closed cell oil-resistant neoprene gasket
- Continuously welded seams ground smooth
- Cover held in place by continuous hinge
- Subpanel included with enclosure
- External mounting feet, top and bottom of enclosure
- Captivated cover screws thread into sealed wells
- Standard "4-way" pushbutton holes accept all brands of oil-tight pushbuttons, switches and pilot lights
- Grounding provisions provided

Finish

- ANSI 61 gray polyester powder inside and out over phosphatized surfaces
- Included subpanels are white polyester powder over phosphatized surfaces

Listings

- UL 508, Types 12 & 13 [UL File E64791]
- NEMA/EEMAC Types 12 & 13



Enclosure Shipping Schedule					
Same day	1 - 5 days	1 - 7 days	1 - 10 days	1 - 15 days	1 - 20 days

Color indicates shipping lead time in business days.

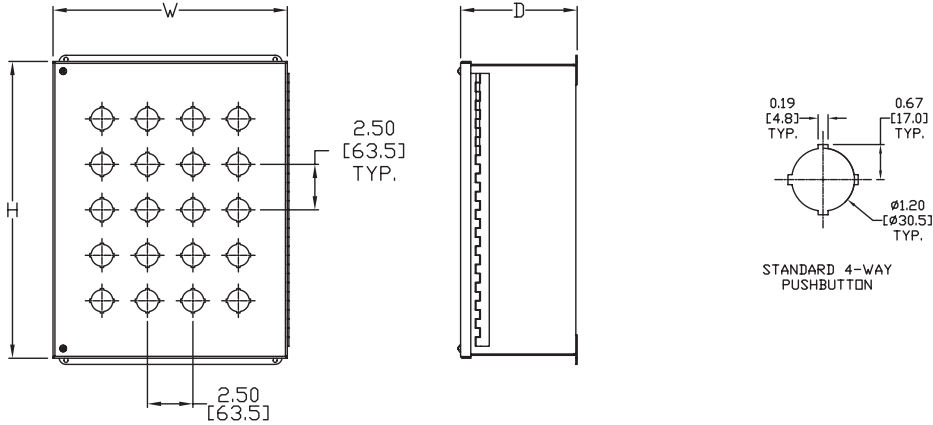
30mm Pushbutton with 2.5in Hole Spacing, NEMA 12 and 13 Wall Mount			
Part Number	Price	# Holes	Enclosure Size HxWxD
PBYX4S	\$116.00	4	8.82 x 7.88 x 6.33 [224 x 200 x 161]
PBYX6	\$136.00	6	11.32 x 7.88 x 6.33 [288 x 200 x 161]
PBYX9	\$159.00	9	11.32 x 10.38 x 6.33 [288 x 264 x 161]
PBYX12	\$180.00	12	13.82 x 10.38 x 6.33 [351 x 264 x 161]
PBYX16	\$205.00	16	13.82 x 12.88 x 6.33 [351 x 327 x 161]
PBYX20	\$230.00	20	16.32 x 12.88 x 6.33 [415 x 327 x 161]
PBYX25	\$259.00	25	16.32 x 15.38 x 6.33 [415 x 391 x 161]
PBYX30	\$287.00	30	18.82 x 15.38 x 6.33 [478 x 391 x 161]
PBYX36	\$319.00	36	18.82 x 17.88 x 6.33 [478 x 454 x 161]
PBYX42	\$350.00	42	21.32 x 17.88 x 6.33 [542 x 454 x 161]

Note: Dimensions in inches [millimeters].

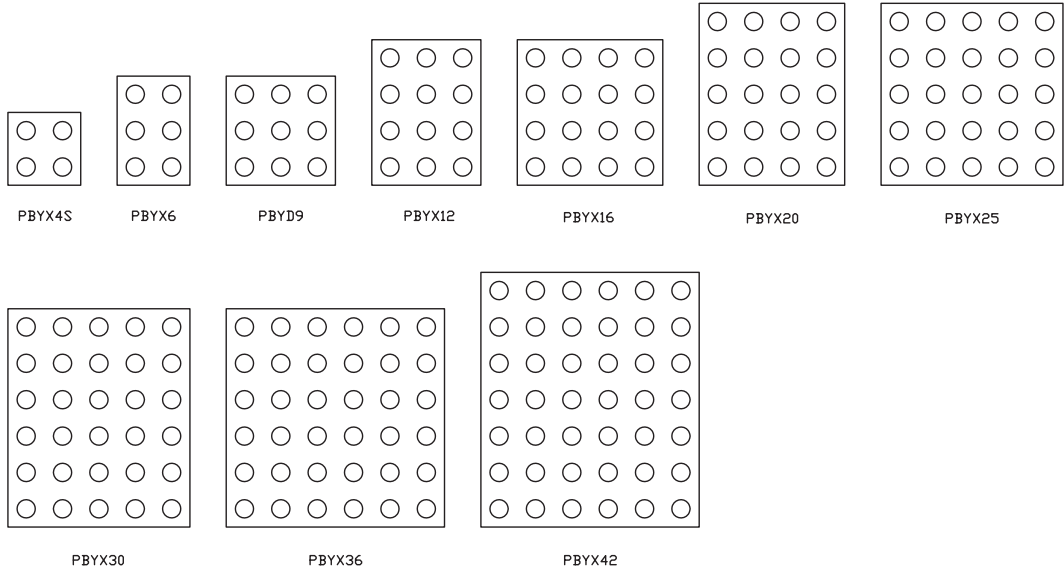
30mm Pushbutton with 2.5in Hole Spacing, NEMA 12 and 13 Wall Mount

Dimensions

in [mm]



PBYX HOLE ARRANGEMENTS



See our website: www.AutomationDirect.com for complete engineering drawings.