

# WC12 NEMA 12 and 13 Operator Consoles



## Applications

Designed to hold electrical and electronic controls and instruments. Pushbuttons, pilot lights, meters, switches, etc. can be mounted on sloping control surfaces. Interior components can be mounted on subpanel and terminal straps. Heavy duty construction provides protection from dirt, dust, oil and water.



## Construction

### Base

- Bodies and doors fabricated from 14 gauge steel
- Seams are continuously welded and ground smooth
- 3-point keylocking handle is provided on front main door
- Double overlapping doors are provided on two door consoles
- Main hinged doors are flush
- Large sloping control panels are hinged along bottom edge
- Control panels have captivated screws threaded into sealed wells
- Door stops provided to hold control panel open
- Closed cell neoprene gasket
- Removable subpanel is included with console
- Grounding provisions provided
- Studs are welded to inside of console for mounting subpanel
- An inclined body rail is welded to each side of 24" wide and 36" wide consoles for support of terminal straps
- [Uses WAL2 series handles and WAL2KEY replacement key](#)

### Top

- Fabricated from 14 gauge steel
- Top has a sloped front surface
- Four holes are provided for mounting to body
- Seams are continuously welded and ground smooth
- Instrument and access panels have captivated screws which thread into sealed wells
- Closed cell neoprene gasket
- Instrument panels and access panels are removable

### Writing desk

- Fabricated from 14 gauge steel
- Seams are continuously welded and ground smooth
- Desks are removable and attach easily to console front

### Finish

- ANSI 61 gray polyester powder inside and out over phosphatized surfaces
- Included painted steel subpanel is white polyester powder over phosphatized surfaces

### Listings

- UL 508, Types 12 & 13 [UL File E64791]
- NEMA/EEMAC Types 12 & 13



### Enclosure Shipping Schedule

Same day	1 - 5 days	1 - 7 days	1 -10 days	1 - 15 days	1 - 20 days
----------	------------	------------	------------	-------------	-------------

Color indicates shipping lead time in business days.

## WC12 NEMA 12 and 13 Operator Consoles

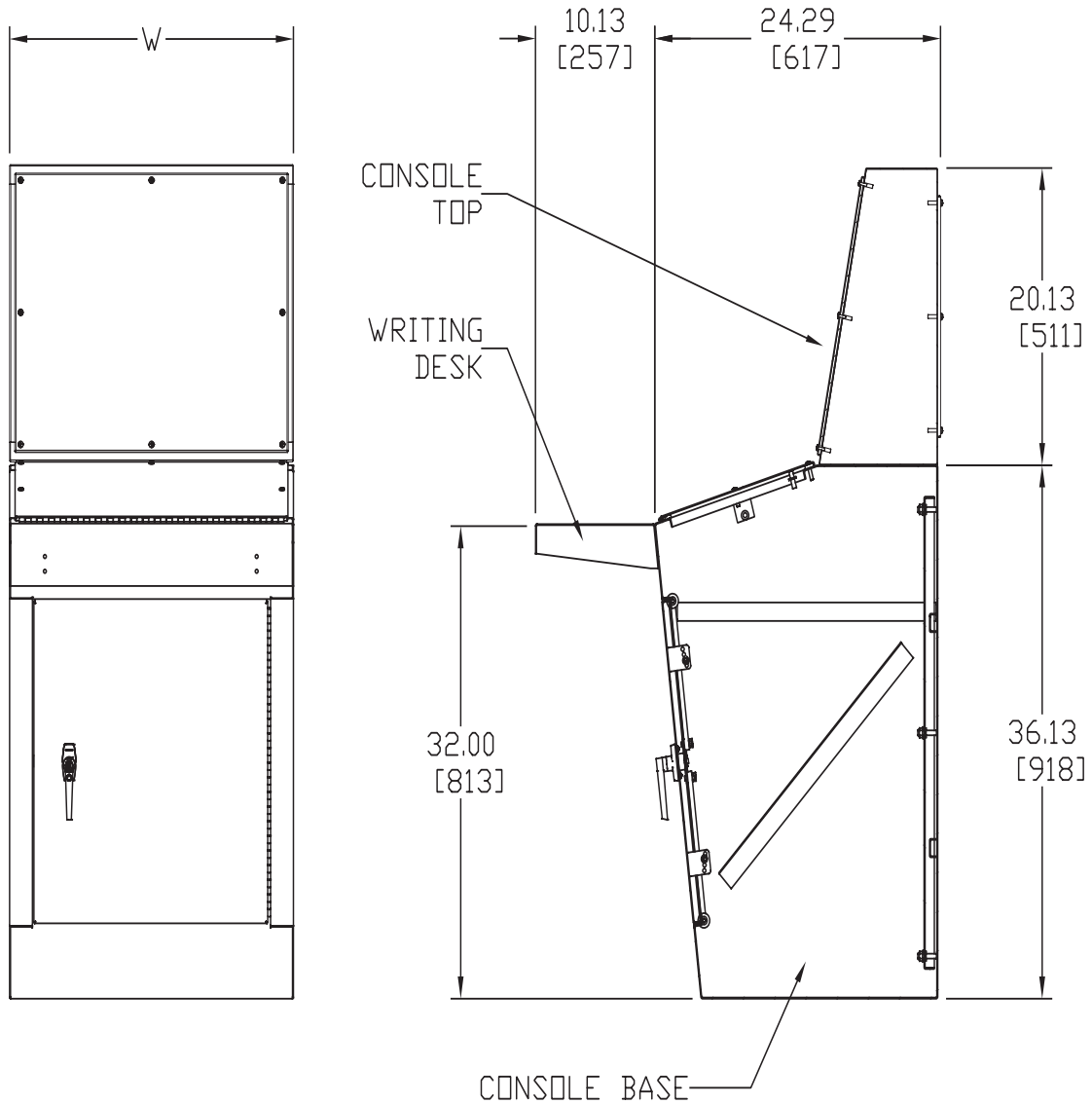
Console Base	Price	Console Base HxWxD	Subpanel Size	Console Top	Price	Writing Desk	Price	Caster Kit
<b>WC1224B (Single Door)</b>	\$1,926.00	36.13 x 24.13 x 24.06 [918 x 613 x 611]	32.00 x 18.00 [813 x 457]	<b>WC1224T</b>	\$568.00	<b>WC1224W</b>	\$177.00	<a href="#">WC12C</a>
<b>WC12B (Single Door)</b>	\$2,218.00	36.13 x 36.13 x 24.06 [918 x 918 x 611]	32.00 x 30.00 [813 x 762]	<b>WC12T</b>	\$649.00	<b>WC12W</b>	\$227.00	<a href="#">WC12C</a>
<b>WC1248BD (Double Door)</b>	\$2,689.00	36.13 x 48.13 x 24.06 [918 x 1223 x 611]	32.00 x 42.00 [813 x 1067]	<b>WC1248T</b>	\$766.00	<b>WC1248W</b>	\$277.00	<a href="#">WC12C</a>

Notes: Dimensions in inches [millimeters]. Letters in table correspond to letters on dimensional drawings. Subpanels included. Tops, writing desk, etc. must be ordered separately.

# WC12 NEMA 12 and 13 Operator Consoles

## Dimensions

In [mm]



### NOTES:

1. ACCESS DOORS OPEN 180 DEGREES.
2. 3-POINT KEY LOCKING HANDLES ARE PROVIDED ON MAIN DOORS
3. WRITING DESK IS PROVIDED WITH MOUNTING HARDWARE.
4. 48" WIDE CONSOLE HAS TWO DOORS.

See our website: [www.AutomationDirect.com](http://www.AutomationDirect.com) for complete engineering drawings.

# Enclosure Accessories - Mounting Feet, Panel Mounting and Latches

## Mounting Feet for Freedom, Commander and Centurion Series Enclosures



**AttaBox**  
A ROBROY ENCLOSURES™ BRAND

Mounting Feet for Freedom, Commander and Centurion Series Enclosures			
Mounting Foot Kit	Price	Description	Wt. [oz]
<b>FRMGFTKIT</b>	\$12.00	AttaBox mounting feet kit, fiberglass-reinforced polyester, for use on Freedom series enclosures. Includes (4) mounting feet and mounting hardware.	1
<b>COMTGFTKIT</b>	\$24.50	AttaBox mounting feet kit, fiberglass-reinforced polyester, for use on Commander series fiberglass, in-line, pushbutton enclosures. Does not fit C0763, C0963, COxPBW series, and COPCxxx series, COPCxB series, and COPCxB22 series enclosures. Includes (2) mounting feet, mounting hardware and silicone adhesive/sealant.	1
<b>CEMTGFTKIT</b>	\$25.00	AttaBox mounting feet kit, fiberglass-reinforced polyester, for use on Centurion series enclosures. Includes (4) mounting feet and mounting hardware.	1



**FRMGFTKIT**



**COMTGFTKIT**



**CEMTGFTKIT**

Enclosure Shipping Schedule			
Same day	1 - 5 days	1 - 15 days	1 - 20 days

Color indicates shipping lead time in business days.

## Swing-panel Mounting Kit for MachoBox Series Enclosures

Swing-panel Mounting Kit for MachoBox Series Enclosures			
Mounting Foot Kit	Price	Description	Wt. [oz]
<b>M3024SPMK</b>	\$36.50	AttaBox swing-panel mounting kit, fiberglass-reinforced polyester, for use on 30x24in [762x610mm] MachoBox enclosures and subpanels. Includes (8) mounts and (16) screws.	7



**M3024SPMK**

## Latches For Centurion, Freedom, and Triton Series Enclosures



**SSLKIT**



**FRHLLKIT**



**TLL150KIT**



**TLL150WKIT**

Latches for Centurion, Freedom, and Triton Series Enclosures		
Latch	Price	Description
<b>SSLKIT</b>	\$20.50	Centurion series luggage style Stainless Steel lockable latch.
<b>FRHLLKIT</b>	\$22.50	Freedom series lockable link latch.
<b>TLL150KIT</b>	\$34.50	Triton Series twist-lock latch. For Type 12, 3R and 4X.
<b>TLL150WKIT</b>	\$34.50	Triton Series twist-lock latch. For 4X top and bottom latches.