

WC14 NEMA 12 and 13 Operator Consoles



Applications

Designed to hold electrical and electronic controls and instruments. Pushbuttons, pilot lights, meters, switches, etc., can be mounted on the instrument panel. Interior components are mounted on stationary sub panels, swing-out sub panels or relay rack angles (panels are optional). Heavy duty construction provides protection from dirt, dust, oil and water.

Construction

Base

- Bodies and doors fabricated from 14 gauge steel
- Seams are continuously welded and ground smooth, less knockouts or holes
- 3-point keylocking handle is provided on front main door
- Double overlapping doors are provided on two door consoles
- Main hinged doors are flush
- One or two large sloping control panels are hinged on bottom
- Control panels have captivated screws threaded into sealed wells
- Door stops provided to hold control panel open
- Closed cell neoprene gasket
- Horizontal channels are welded to sides of console to support optional panels and swing-out panels
- Grounding provisions provided
- Half, full and swing panels are optional
- An inclined body rail is welded to each side of 24" wide and 36" wide consoles for support of terminal straps
- Optional angle brackets, part number WC14R, are available for mounting 19in rack equipment in the WC14B console.
- [Uses NWAL2 series handles and WAL2KEY replacement key](#)

Top

- Fabricated from 14 gauge steel
- Top unit is 12.5" deep to accommodate most instruments
- Four holes are provided for mounting to body
- Seams are continuously welded and ground smooth, less knockouts or hole
- Instrument and access panels have captivated screws which thread into sealed wells
- Closed cell neoprene gasket
- Instrument panels and access panels are removable

Writing desk

- Fabricated from 14 gauge steel
- Seams are continuously welded and ground smooth
- Desks are removable and attach easily to console front

Finish

- ANSI 61 gray polyester powder inside and out over phosphatized surfaces
- Optional panels are white polyester powder over phosphatized surfaces

Listings

- UL 508, Types 12 & 13 [UL File E64791]
- NEMA/EEMAC Types 12 & 13

Enclosure Shipping Schedule

Same day	1 - 5 days	1 - 7 days	1 - 10 days	1 - 15 days	1 - 20 days
----------	------------	------------	-------------	-------------	-------------

Color indicates shipping lead time in business days.



WC14 NEMA 12 and 13 Operator Consoles

Console Base	Price	Console Base Size HxWxD	Console Top	Price	Writing Desk	Price	Subpanels	Clamping Nuts	Caster Kit
WC14B (Single Door)	\$3,062.00	50.13 x 24.12 x 23.12 [1273 x 613 x 587]	WC14T	\$712.00	WC14W	\$224.00	WC14P1 (Swing Panel)	WAPS1420CN	WC12C
							WC14P2 (Half Panel)		
							WC14P3 (Full Panel)		
WC1436B (Single Door)	\$3,578.00	50.13 x 36.12 x 23.12 [1273 x 917 x 587]	WC1436T	\$882.00	WC1436W	\$288.00	WC1436P1 (Swing Panel)	WAPS1420CN	
							WC1436P2 (Half Panel)		
							WC1436P3 (Full Panel)		
WC1448BD (Double Door)	\$4,314.00	50.13 x 48.12 x 23.12 [1273 x 1222 x 587]	WC1448T	\$1,052.00	WC1448W	\$352.00	WC1448P2 (Half Panel)	WAPS1420CN	
							WC1448P3 (Full Panel)		
WC1460BD (Double Door)	\$4,765.00	50.13 x 60.12 x 23.12 [1273 x 1527 x 587]	WC1460T	\$1,223.00	WC1460W	\$416.00	WC1460P2 (Half Panel)	WAPS1420CN	
							WC1460P3 (Full Panel)		

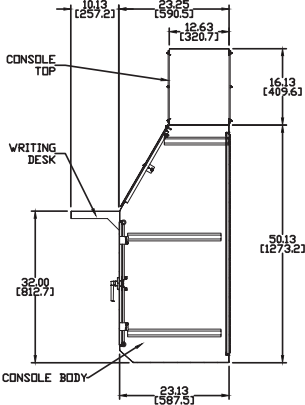
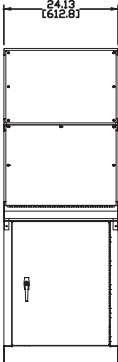
Notes: Dimensions in inches [millimeters].
Letters in table correspond to letters on dimensional drawings.
Subpanels, etc. must be ordered separately.

WC14 NEMA 12 and 13 Operator Consoles

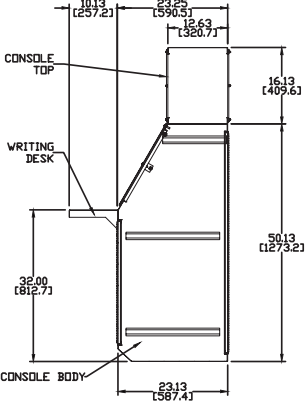
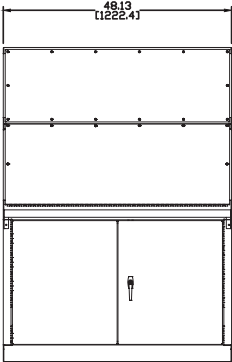
Dimensions

In [mm]

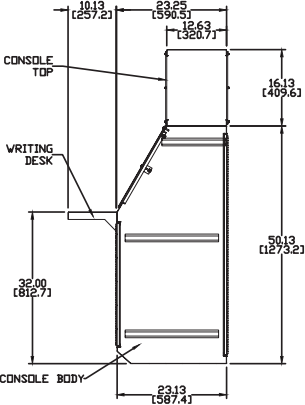
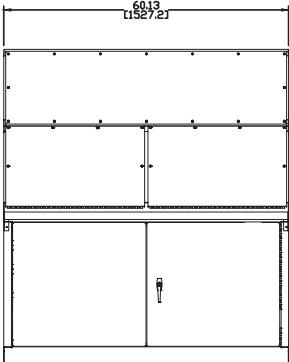
WC14B



WC1448BD



WC1460BD



- NOTES:
1. ACCESS DOORS OPEN 180 DEGREES.
 2. 3-POINT KEY LOCKING HANDLES ARE PROVIDED ON MAIN DOORS
 3. WRITING DESK IS PROVIDED WITH MOUNTING HARDWARE.
 4. 48" WIDE CONSOLE HAS TWO DOORS.

See our website: www.AutomationDirect.com for complete engineering drawings.

Accessory Panels For WC14 Series Operator Consoles



Description

- Panels for WC14 Series operator consoles
- Full-height and half-height swing-out panels are available
- Half-height panels can be located in the upper or lower portion of enclosure
- Painted steel subpanels are white polyester powder over phosphatized surfaces
- Fabricated from 14 gauge steel
- Mounting hardware is furnished with each panel

Enclosure Shipping Schedule					
Same day	1 - 5 days	1 - 7 days	1 -10 days	1 - 15 days	1 - 20 days

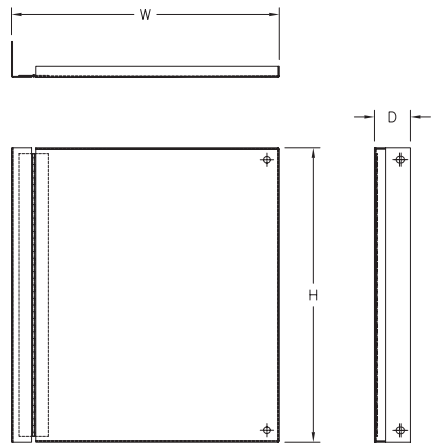
Color indicates shipping lead time in business days.

Accessory Panels for WC14 Operator Consoles			
Part Number	Price	Panel Size HxWxD	Subpanel Type
WC14P1	\$237.00	22.00 x 19.75 x 2.69 [559 x 502 x 68]	Swing
WC14P2	\$195.00	22.00 x 17.00 x 0.813 [559 x 432 x 21]	Half
WC14P3	\$280.00	42.25 x 17.00 x 0.81 [1073 x 432 x 21]	Full
WC1436P1	\$297.00	22.00 x 31.69 x 2.75 [559 x 805 x 70]	Swing
WC1436P2	\$240.00	22.00 x 29 x 0.81 [559 x 737 x 21]	Half
WC1436P3	\$367.00	42.25 x 29.00 x 0.81 [1073 x 737 x 21]	Full
WC1448P2	\$285.00	22.00 x 41.00 x 0.81 [559 x 1041 x 21]	Half
WC1448P3	\$454.00	42.25 x 41.00 x 0.81 [1073 x 1041 x 21]	Full
WC1460P2	\$331.00	22.00 x 53.00 x 0.81 [559 x 1346 x 21]	Half
WC1460P3	\$541.00	42.25 x 53.00 x 0.81 [1073 x 1346 x 21]	Full

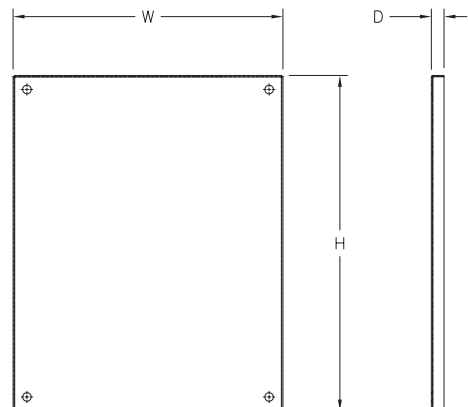
Note: Letters in table correspond to letters on dimensional drawings.

Dimensions

in [mm]



Swing-Out Subpanel



Full or Half Subpanel

See our website: www.AutomationDirect.com for complete engineering drawings.



AttaBox
A ROBROY ENCLOSURES™ BRAND

Enclosure Accessories - Mounting Feet, Panel Mounting and Latches

Mounting Feet for Freedom, Commander and Centurion Series Enclosures

Mounting Feet for Freedom, Commander and Centurion Series Enclosures			
Mounting Foot Kit	Price	Description	Wt. [oz]
FRMGFTKIT	\$12.00	AttaBox mounting feet kit, fiberglass-reinforced polyester, for use on Freedom series enclosures. Includes (4) mounting feet and mounting hardware.	1
COMTGFTKIT	\$24.50	AttaBox mounting feet kit, fiberglass-reinforced polyester, for use on Commander series fiberglass, in-line, pushbutton enclosures. Does not fit C0763, C0963, COxPBW series, and COPCxxx series, COPCxB series, and COPCxB22 series enclosures. Includes (2) mounting feet, mounting hardware and silicone adhesive/sealant.	1
CEMTGFTKIT	\$25.00	AttaBox mounting feet kit, fiberglass-reinforced polyester, for use on Centurion series enclosures. Includes (4) mounting feet and mounting hardware.	1



FRMGFTKIT



COMTGFTKIT



CEMTGFTKIT

Enclosure Shipping Schedule			
Same day	1 - 5 days	1 - 15 days	1 - 20 days

Color indicates shipping lead time in business days.

Swing-panel Mounting Kit for MachoBox Series Enclosures

Swing-panel Mounting Kit for MachoBox Series Enclosures			
Mounting Foot Kit	Price	Description	Wt. [oz]
M3024SPMK	\$36.50	AttaBox swing-panel mounting kit, fiberglass-reinforced polyester, for use on 30x24in [762x610mm] MachoBox enclosures and subpanels. Includes (8) mounts and (16) screws.	7



M3024SPMK

Latches For Centurion, Freedom, and Triton Series Enclosures



SSLKIT



FRHLLKIT



TLL150KIT



TLL150WKIT

Latches for Centurion, Freedom, and Triton Series Enclosures		
Latch	Price	Description
SSLKIT	\$20.50	Centurion series luggage style Stainless Steel lockable latch.
FRHLLKIT	\$22.50	Freedom series lockable link latch.
TLL150KIT	\$34.50	Triton Series twist-lock latch. For Type 12, 3R and 4X.
TLL150WKIT	\$34.50	Triton Series twist-lock latch. For 4X top and bottom latches.

Enclosure Accessories - Fasteners and Miscellaneous

Encapsulated Screws



Enclosure Shipping Schedule			
Same day	1 - 5 days	1 - 15 days	1 - 20 days
Color indicates shipping lead time in business days.			

Encapsulated Screws	Price	Description	Wt. [oz]
RE2PKENCAP	\$1.50	PVC-encapsulated stainless steel screws #10-24 UNC x 0.625 - pkg of 2	1
RE4PKENCAP	\$3.25	PVC-encapsulated stainless steel screws #10-24 UNC x 0.625 - pkg of 4	

Stainless Steel Screws



Stainless Steel Screws	Price	Description	Wt. [oz]
RE2PKSS	\$0.75	Stainless steel screws #10-24 x 5/8in long, with o-rings- pkg of 2. For use with MachoBox enclosures.	1
RE4PKSS	\$1.75	Stainless steel screws #10-24 x 5/8in long, with o-rings - pkg of 4. For use with MachoBox enclosures.	

Carrying Handle



Carrying Handle	Price	Description	Wt. [oz]
RECH109506	\$16.00	Non-metallic black handle, for use on AttaBox non-metallic enclosures.	2

Vapor Capsule



Vapor Capsule	Price	Description	Wt. [oz]
REVC21	\$13.00	Non-toxic vapor emitted from the capsule passivates the metal surfaces on the interior of the enclosure against atmospheric corrosion for up to one year by reducing the electro-chemical activity of the metal surfaces. Installs easily with a self-adhesive strip.	1