

Operator Consoles



Applications

Designed to house a variety of electronic control or instrumentation devices. Consoles provide protection from dirt, dust, oil and water. Flexible design allows for mounting on either of two sides, creating control surfaces of 30 degrees or 60 degrees. Consoles can be mounted on desktops, pedestals, or other flat surfaces.

Construction

- Bodies and doors fabricated from 14 gauge steel
- Seams are continuously welded and ground smooth, less knockouts or holes
- Captivated cover screws threaded into sealed wells

- Control panel is continuously hinged along bottom edge
- Closed cell neoprene gasket
- Grounding provisions provided

Finish

- Painted Steel: ANSI 61 gray polyester powder inside and out over phosphatized surfaces
- Stainless Steel: #3 intermediate polished finish

Listings

- UL 508, Types 12 & 13 (stainless steel also Types 4 & 4X) [UL File E64791]



Enclosure Shipping Schedule					
Same day	1 - 5 days	1 - 7 days	1 - 10 days	1 - 15 days	1 - 20 days

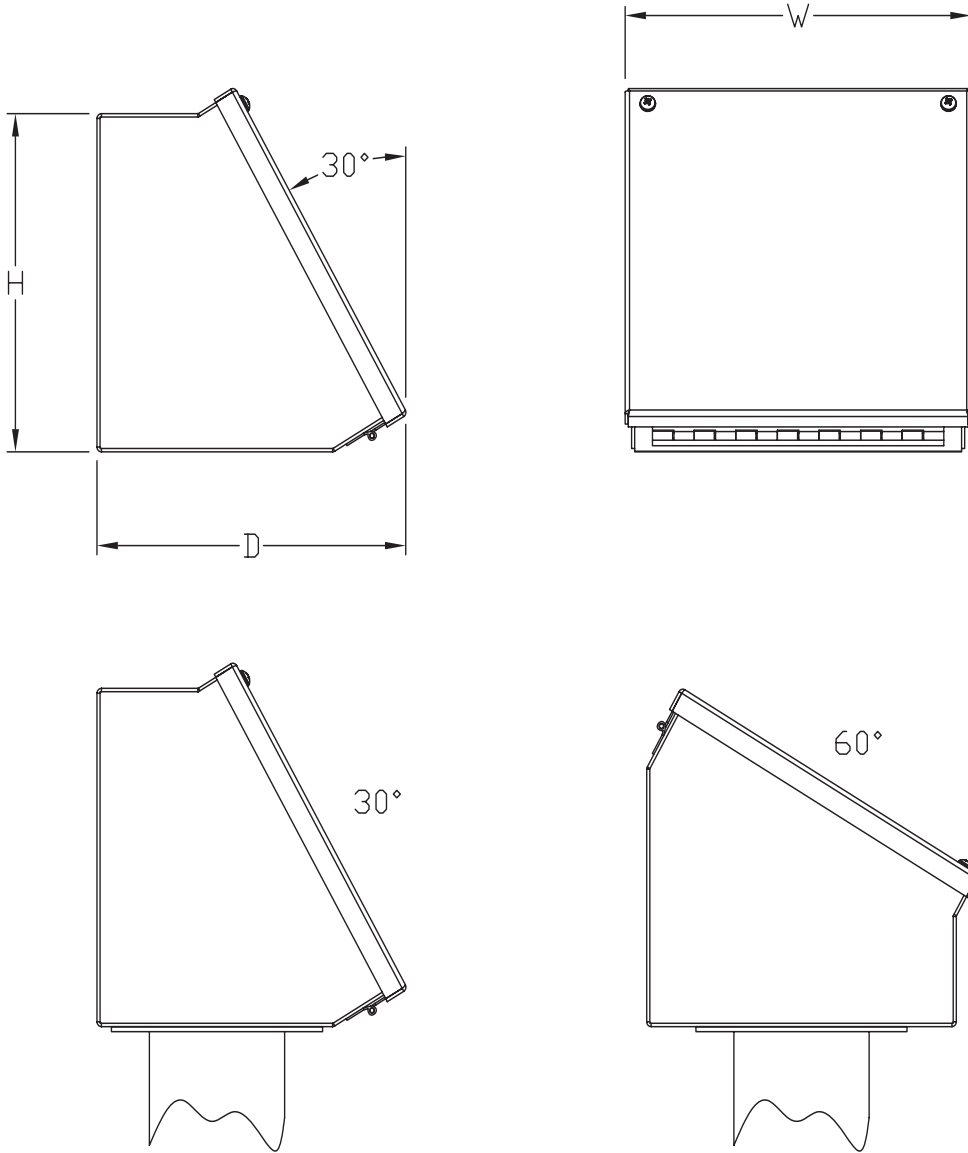
Color indicates shipping lead time in business days.

Operator Consoles				
Painted Steel	Price	Stainless Steel	Price	Enclosure Size HxWxD
WC08C08	\$120.00	WC08C08SS	\$237.00	8.31 x 8.31 x 7.10 [211 x 211 x 180]
WC08C12	\$132.00	WC08C12SS	\$263.00	8.31 x 12.31 x 7.10 [211 x 315 x 180]
WC08C16	\$145.00	WC08C16SS	\$288.00	8.31 x 16.31 x 7.10 [211 x 414 x 180]
WC08C20	\$162.00	WC08C20SS	\$313.00	8.31 x 20.31 x 7.10 [211 x 516 x 180]
WC12C12	\$154.00	WC12C12SS	\$306.00	12.31 x 12.31 x 9.10 [313 x 313 x 231]
WC12C16	\$172.00	WC12C16SS	\$340.00	12.31 x 16.31 x 9.10 [313 x 414 x 231]
WC12C20	\$195.00	WC12C20SS	\$376.00	12.31 x 20.31 x 9.10 [313 x 516 x 231]
WC12C24	\$212.00	WC12C24SS	\$410.00	12.31 x 24.31 x 9.10 [513 x 617 x 231]
WC16C16	\$199.00	WC16C16SS	\$396.00	16.31 x 16.31 x 11.10 [414 x 414 x 282]
WC16C20	\$222.00	WC16C20SS	\$441.00	16.31 x 20.31 x 11.10 [414 x 516 x 282]
WC16C24	\$245.00	WC16C24SS	\$485.00	16.31 x 24.31 x 11.10 [414 x 617 x 282]
WC16C30	\$286.00	WC16C30SS	\$551.00	16.31 x 30.31 x 11.10 [414 x 770 x 282]
WC16C36	\$322.00	WC16C36SS	\$621.00	16.31 x 36.31 x 11.10 [414 x 922 x 282]
WC20C20	\$264.00	WC20C20SS	\$509.00	20.31 x 20.31 x 13.10 [516 x 516 x 333]
WC20C24	\$292.00	WC20C24SS	\$563.00	20.31 x 24.31 x 13.10 [516 x 617 x 333]
WC20C30	\$326.00	WC20C30SS	\$648.00	20.31 x 30.31 x 13.10 [516 x 770 x 333]

Notes: Dimensions in inches (millimeters).
Letters in table correspond to letters on dimensional drawings.
Letters in table correspond to letters on dimensional drawings.

Operator Consolets

Dimensions



CONSOLE CAN BE POSITIONED AT 30° OR 60° ANGLE

See our website: www.AutomationDirect.com for complete engineering drawings.