



1/8" NPT Aluminum Manifolds



MRA-4BA



MRA-4BA-180

NITRA aluminum manifolds

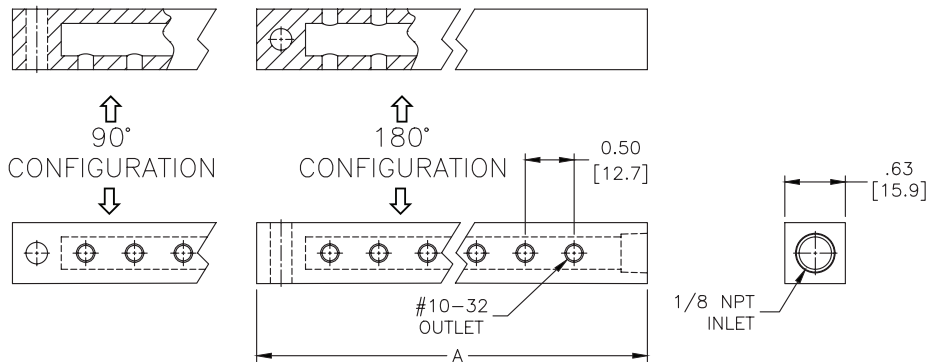
- Black anodized finish
- Maximum input pressure of 1000 psi
- Made in the USA



| NITRA® 1/8" NPT Aluminum Manifolds | | | | | |
|------------------------------------|--|-------------|---------------|--------------|---------|
| Part No. | Description | A | Parts Per Pkg | Weight (lbs) | Price |
| MRA-4BA | NITRA pneumatic manifold, aluminum, rectangular, (1) 1/8 inch female NPT inlet port(s), 4 stations, (1) #10-32 female threaded outlet port(s) per station, standard hole spacing. | 3.0 [76.2] | 1 | 0.1 | \$9.00 |
| MRA-4BA-180 | NITRA pneumatic manifold, aluminum, rectangular, (1) 1/8 inch female NPT inlet port(s), 4 stations, (2) #10-32 female threaded outlet port(s) per station, 180-degree orientation, standard hole spacing. | 3.0 [76.2] | 1 | 0.1 | \$10.00 |
| MRA-6BA | NITRA pneumatic manifold, aluminum, rectangular, (1) 1/8 inch female NPT inlet port(s), 6 stations, (1) #10-32 female threaded outlet port(s) per station, standard hole spacing. | 4.0 [101.6] | 1 | 0.1 | \$10.00 |
| MRA-6BA-180 | NITRA pneumatic manifold, aluminum, rectangular, (1) 1/8 inch female NPT inlet port(s), 6 stations, (2) #10-32 female threaded outlet port(s) per station, 180-degree orientation, standard hole spacing. | 4.0 [101.6] | 1 | 0.1 | \$14.00 |
| MRA-8BA | NITRA pneumatic manifold, aluminum, rectangular, (1) 1/8 inch female NPT inlet port(s), 8 stations, (1) #10-32 female threaded outlet port(s) per station, standard hole spacing. | 5.0 [127.0] | 1 | 0.2 | \$11.00 |
| MRA-8BA-180 | NITRA pneumatic manifold, aluminum, rectangular, (1) 1/8 inch female NPT inlet port(s), 8 stations, (2) #10-32 female threaded outlet port(s) per station, 180-degree orientation, standard hole spacing. | 5.0 [127.0] | 1 | 0.2 | \$12.50 |
| MRA-10BA | NITRA pneumatic manifold, aluminum, rectangular, (1) 1/8 inch female NPT inlet port(s), 10 stations, (1) #10-32 female threaded outlet port(s) per station, standard hole spacing. | 6.0 [152.4] | 1 | 0.2 | \$13.50 |
| MRA-10BA-180 | NITRA pneumatic manifold, aluminum, rectangular, (1) 1/8 inch female NPT inlet port(s), 10 stations, (2) #10-32 female threaded outlet port(s) per station, 180-degree orientation, standard hole spacing. | 6.0 [152.4] | 1 | 0.2 | \$16.50 |

Dimensions

inches [mm]



See our website www.AutomationDirect.com for complete Engineering drawings.



1/4" NPT Aluminum Manifolds



MRA-2CB



MRA-2CB-90



MRA-2CB-W

NITRA aluminum manifolds

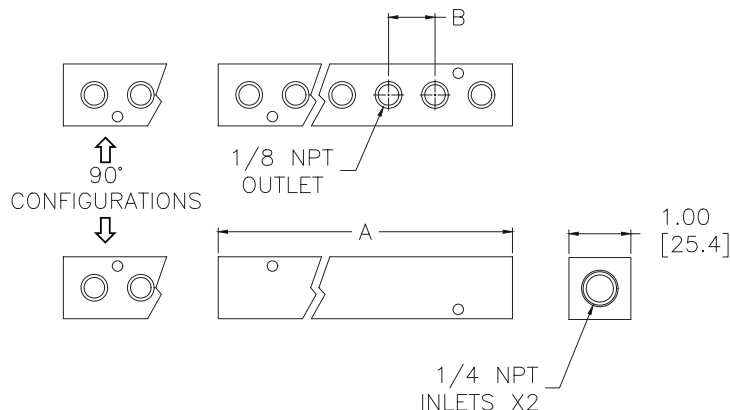
- Black anodized finish
- Maximum input pressure of 1000 psi
- Made in the USA



| NITRA® 1/4" NPT Aluminum Manifolds | | | | | | |
|------------------------------------|---|---------------|-------------|---------------|--------------|---------|
| Part No. | Description | A | B | Parts Per Pkg | Weight (lbs) | Price |
| MRA-2CB | NITRA pneumatic manifold, aluminum, rectangular, (2) 1/4 inch female NPT inlet port(s), 2 stations, (1) 1/8 inch female NPT outlet port(s) per station, standard hole spacing. | 1.75 [44.5] | 0.75 [19.1] | 1 | 0.2 | \$10.00 |
| MRA-2CB-90 | NITRA pneumatic manifold, aluminum, rectangular, (2) 1/4 inch female NPT inlet port(s), 2 stations, (2) 1/8 inch female NPT outlet port(s) per station, 90-degree orientation, standard hole spacing. | 1.75 [44.5] | 0.75 [19.1] | 1 | 0.1 | \$16.50 |
| MRA-2CB-W | NITRA pneumatic manifold, aluminum, rectangular, (2) 1/4 inch female NPT inlet port(s), 2 stations, (1) 1/8 inch female NPT outlet port(s) per station, wide hole spacing. | 3.25 [82.6] | 1.50 [38.1] | 1 | 0.3 | \$12.50 |
| MRA-3CB | NITRA pneumatic manifold, aluminum, rectangular, (2) 1/4 inch female NPT inlet port(s), 3 stations, (1) 1/8 inch female NPT outlet port(s) per station, standard hole spacing. | 2.50 [63.5] | 0.75 [19.1] | 1 | 0.2 | \$11.50 |
| MRA-3CB-90 | NITRA pneumatic manifold, aluminum, rectangular, (2) 1/4 inch female NPT inlet port(s), 3 stations, (2) 1/8 inch female NPT outlet port(s) per station, 90-degree orientation, standard hole spacing. | 2.50 [63.5] | 0.75 [19.1] | 1 | 0.2 | \$17.50 |
| MRA-3CB-W | NITRA pneumatic manifold, aluminum, rectangular, (2) 1/4 inch female NPT inlet port(s), 3 stations, (1) 1/8 inch female NPT outlet port(s) per station, wide hole spacing. | 4.75 [120.7] | 1.50 [38.1] | 1 | 0.4 | \$14.00 |
| MRA-4CB | NITRA pneumatic manifold, aluminum, rectangular, (2) 1/4 inch female NPT inlet port(s), 4 stations, (1) 1/8 inch female NPT outlet port(s) per station, standard hole spacing. | 3.25 [82.6] | 0.75 [19.1] | 1 | 0.3 | \$13.50 |
| MRA-4CB-90 | NITRA pneumatic manifold, aluminum, rectangular, (2) 1/4 inch female NPT inlet port(s), 4 stations, (2) 1/8 inch female NPT outlet port(s) per station, 90-degree orientation, standard hole spacing. | 3.25 [82.6] | 0.75 [19.1] | 1 | 0.3 | \$19.50 |
| MRA-4CB-W | NITRA pneumatic manifold, aluminum, rectangular, (2) 1/4 inch female NPT inlet port(s), 4 stations, (1) 1/8 inch female NPT outlet port(s) per station, wide hole spacing. | 6.25 [158.8] | 1.50 [38.1] | 1 | 0.5 | \$15.00 |
| MRA-5CB | NITRA pneumatic manifold, aluminum, rectangular, (2) 1/4 inch female NPT inlet port(s), 5 stations, (1) 1/8 inch female NPT outlet port(s) per station, standard hole spacing. | 4.00 [101.6] | 0.75 [19.1] | 1 | 0.3 | \$14.00 |
| MRA-5CB-90 | NITRA pneumatic manifold, aluminum, rectangular, (2) 1/4 inch female NPT inlet port(s), 5 stations, (2) 1/8 inch female NPT outlet port(s) per station, 90-degree orientation, standard hole spacing. | 4.00 [101.6] | 0.75 [19.1] | 1 | 0.3 | \$20.50 |
| MRA-5CB-W | NITRA pneumatic manifold, aluminum, rectangular, (2) 1/4 inch female NPT inlet port(s), 5 stations, (1) 1/8 inch female NPT outlet port(s) per station, wide hole spacing. | 7.75 [196.9] | 1.50 [38.1] | 1 | 0.6 | \$15.50 |
| MRA-6CB | NITRA pneumatic manifold, aluminum, rectangular, (2) 1/4 inch female NPT inlet port(s), 6 stations, (1) 1/8 inch female NPT outlet port(s) per station, standard hole spacing. | 4.75 [120.7] | 0.75 [19.1] | 1 | 0.4 | \$15.00 |
| MRA-6CB-90 | NITRA pneumatic manifold, aluminum, rectangular, (2) 1/4 inch female NPT inlet port(s), 6 stations, (2) 1/8 inch female NPT outlet port(s) per station, 90-degree orientation, standard hole spacing. | 4.75 [120.7] | 0.75 [19.1] | 1 | 0.4 | \$21.50 |
| MRA-6CB-W | NITRA pneumatic manifold, aluminum, rectangular, (2) 1/4 inch female NPT inlet port(s), 6 stations, (1) 1/8 inch female NPT outlet port(s) per station, wide hole spacing. | 9.25 [235.0] | 1.50 [38.1] | 1 | 0.7 | \$16.00 |
| MRA-7CB | NITRA pneumatic manifold, aluminum, rectangular, (2) 1/4 inch female NPT inlet port(s), 7 stations, (1) 1/8 inch female NPT outlet port(s) per station, standard hole spacing. | 5.50 [139.0] | 0.75 [19.1] | 1 | 0.5 | \$15.50 |
| MRA-8CB | NITRA pneumatic manifold, aluminum, rectangular, (2) 1/4 inch female NPT inlet port(s), 8 stations, (1) 1/8 inch female NPT outlet port(s) per station, standard hole spacing. | 6.25 [158.8] | 0.75 [19.1] | 1 | 0.5 | \$16.00 |
| MRA-8CB-90 | NITRA pneumatic manifold, aluminum, rectangular, (2) 1/4 inch female NPT inlet port(s), 8 stations, (2) 1/8 inch female NPT outlet port(s) per station, 90-degree orientation, standard hole spacing. | 6.25 [158.8] | 0.75 [19.1] | 1 | 0.5 | \$24.50 |
| MRA-8CB-W | NITRA pneumatic manifold, aluminum, rectangular, (2) 1/4 inch female NPT inlet port(s), 8 stations, (1) 1/8 inch female NPT outlet port(s) per station, wide hole spacing. | 12.25 [311.2] | 1.50 [38.1] | 1 | 1.0 | \$18.00 |
| MRA-10CB | NITRA pneumatic manifold, aluminum, rectangular, (2) 1/4 inch female NPT inlet port(s), 10 stations, (1) 1/8 inch female NPT outlet port(s) per station, standard hole spacing. | 7.75 [196.9] | 0.75 [19.1] | 1 | 0.6 | \$17.00 |

Dimensions

inches [mm]



See our website www.AutomationDirect.com for complete Engineering drawings.



3/8" NPT Aluminum Manifolds



MRA-2DC



MRA-2DC-90



MRA-2DC-W

NITRA aluminum manifolds

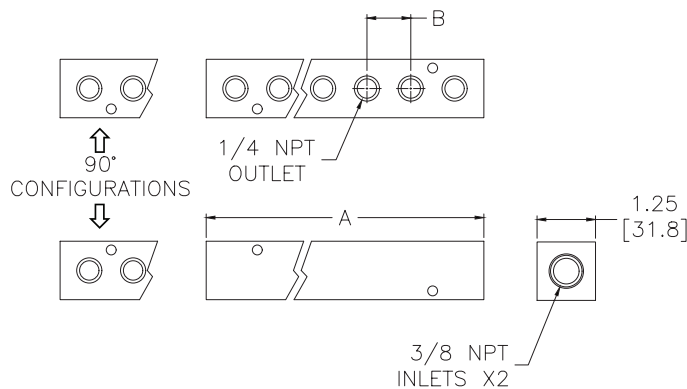
- Black anodized finish
- Maximum input pressure of 1000 psi
- Made in the USA



| NITRA® 3/8" NPT Aluminum Manifolds | | | | | | | |
|------------------------------------|--|---------------|-------------|---------------|--------------|---------|--|
| Part No. | Description | A | B | Parts Per Pkg | Weight (lbs) | Price | |
| MRA-2DC | NITRA pneumatic manifold, aluminum, rectangular, (2) 3/8 inch female NPT inlet port(s), 2 stations, (1) 1/4 inch female NPT outlet port(s) per station, standard hole spacing. | 2.13 [54.1] | 0.88 [22.4] | 1 | 0.2 | \$10.00 | |
| MRA-2DC-90 | NITRA pneumatic manifold, aluminum, rectangular, (2) 3/8 inch female NPT inlet port(s), 2 stations, (2) 1/4 inch female NPT outlet port(s) per station, 90-degree orientation, standard hole spacing. | 2.13 [54.1] | 0.88 [22.4] | 1 | 0.3 | \$16.50 | |
| MRA-2DC-W | NITRA pneumatic manifold, aluminum, rectangular, (2) 3/8 inch female NPT inlet port(s), 2 stations, (1) 1/4 inch female NPT outlet port(s) per station, wide hole spacing. | 3.25 [82.1] | 1.50 [38.1] | 1 | 0.4 | \$12.50 | |
| MRA-3DC | NITRA pneumatic manifold, aluminum, rectangular, (2) 3/8 inch female NPT inlet port(s), 3 stations, (1) 1/4 inch female NPT outlet port(s) per station, standard hole spacing. | 3.00 [76.2] | 0.88 [22.4] | 1 | 0.3 | \$11.50 | |
| MRA-3DC-90 | NITRA pneumatic manifold, aluminum, rectangular, (2) 3/8 inch female NPT inlet port(s), 3 stations, (2) 1/4 inch female NPT outlet port(s) per station, 90-degree orientation, standard hole spacing. | 3.00 [76.2] | 0.88 [22.4] | 1 | 0.3 | \$18.00 | |
| MRA-3DC-W | NITRA pneumatic manifold, aluminum, rectangular, (2) 3/8 inch female NPT inlet port(s), 3 stations, (1) 1/4 inch female NPT outlet port(s) per station, wide hole spacing. | 4.75 [120.7] | 1.50 [38.1] | 1 | 0.6 | \$14.50 | |
| MRA-4DC | NITRA pneumatic manifold, aluminum, rectangular, (2) 3/8 inch female NPT inlet port(s), 4 stations, (1) 1/4 inch female NPT outlet port(s) per station, standard hole spacing. | 3.88 [98.6] | 0.88 [22.4] | 1 | 0.5 | \$13.50 | |
| MRA-4DC-90 | NITRA pneumatic manifold, aluminum, rectangular, (2) 3/8 inch female NPT inlet port(s), 4 stations, (2) 1/4 inch female NPT outlet port(s) per station, 90-degree orientation, standard hole spacing. | 3.88 [98.6] | 0.88 [22.4] | 1 | 0.4 | \$19.50 | |
| MRA-4DC-W | NITRA pneumatic manifold, aluminum, rectangular, (2) 3/8 inch female NPT inlet port(s), 4 stations, (1) 1/4 inch female NPT outlet port(s) per station, wide hole spacing. | 6.25 [158.8] | 1.50 [38.1] | 1 | 0.8 | \$15.50 | |
| MRA-5DC | NITRA pneumatic manifold, aluminum, rectangular, (2) 3/8 inch female NPT inlet port(s), 5 stations, (1) 1/4 inch female NPT outlet port(s) per station, standard hole spacing. | 4.75 [120.7] | 0.88 [22.4] | 1 | 0.6 | \$14.50 | |
| MRA-5DC-90 | NITRA pneumatic manifold, aluminum, rectangular, (2) 3/8 inch female NPT inlet port(s), 5 stations, (2) 1/4 inch female NPT outlet port(s) per station, 90-degree orientation, standard hole spacing. | 4.75 [120.7] | 0.88 [22.4] | 1 | 0.6 | \$20.50 | |
| MRA-5DC-W | NITRA pneumatic manifold, aluminum, rectangular, (2) 3/8 inch female NPT inlet port(s), 5 stations, (1) 1/4 inch female NPT outlet port(s) per station, wide hole spacing. | 7.75 [196.9] | 1.50 [38.1] | 1 | 1.0 | \$16.50 | |
| MRA-6DC | NITRA pneumatic manifold, aluminum, rectangular, (2) 3/8 inch female NPT inlet port(s), 6 stations, (1) 1/4 inch female NPT outlet port(s) per station, standard hole spacing. | 5.63 [143.0] | 0.88 [22.4] | 1 | 0.7 | \$15.50 | |
| MRA-6DC-90 | NITRA pneumatic manifold, aluminum, rectangular, (2) 3/8 inch female NPT inlet port(s), 6 stations, (2) 1/4 inch female NPT outlet port(s) per station, 90-degree orientation, standard hole spacing. | 5.63 [143.0] | 0.88 [22.4] | 1 | 0.7 | \$22.00 | |
| MRA-6DC-W | NITRA pneumatic manifold, aluminum, rectangular, (2) 3/8 inch female NPT inlet port(s), 6 stations, (1) 1/4 inch female NPT outlet port(s) per station, wide hole spacing. | 9.25 [235.0] | 1.50 [38.1] | 1 | 1.1 | \$17.50 | |
| MRA-7DC | NITRA pneumatic manifold, aluminum, rectangular, (2) 3/8 inch female NPT inlet port(s), 7 stations, (1) 1/4 inch female NPT outlet port(s) per station, standard hole spacing. | 6.50 [165.1] | 0.88 [22.4] | 1 | 0.8 | \$16.00 | |
| MRA-8DC | NITRA pneumatic manifold, aluminum, rectangular, (2) 3/8 inch female NPT inlet port(s), 8 stations, (1) 1/4 inch female NPT outlet port(s) per station, standard hole spacing. | 7.38 [187.5] | 0.88 [22.4] | 1 | 0.9 | \$16.50 | |
| MRA-8DC-90 | NITRA pneumatic manifold, aluminum, rectangular, (2) 3/8 inch female NPT inlet port(s), 8 stations, (2) 1/4 inch female NPT outlet port(s) per station, 90-degree orientation, standard hole spacing. | 7.38 [187.5] | 0.88 [22.4] | 1 | 0.9 | \$25.50 | |
| MRA-8DC-W | NITRA pneumatic manifold, aluminum, rectangular, (2) 3/8 inch female NPT inlet port(s), 8 stations, (1) 1/4 inch female NPT outlet port(s) per station, wide hole spacing. | 12.25 [311.2] | 1.50 [38.1] | 1 | 1.5 | \$19.50 | |
| MRA-10DC | NITRA pneumatic manifold, aluminum, rectangular, (2) 3/8 inch female NPT inlet port(s), 10 stations, (1) 1/4 inch female NPT outlet port(s) per station, standard hole spacing. | 9.13 [231.9] | 0.88 [22.4] | 1 | 1.1 | \$17.50 | |
| MRA-10DC-90 | NITRA pneumatic manifold, aluminum, rectangular, (2) 3/8 inch female NPT inlet port(s), 10 stations, (2) 1/4 inch female NPT outlet port(s) per station, 90-degree orientation, standard hole spacing. | 9.13 [231.9] | 0.88 [22.4] | 1 | 0.9 | \$28.00 | |
| MRA-10DC-W | NITRA pneumatic manifold, aluminum, rectangular, (2) 3/8 inch female NPT inlet port(s), 10 stations, (1) 1/4 inch female NPT outlet port(s) per station, wide hole spacing. | 15.25 [387.4] | 1.50 [38.1] | 1 | 1.9 | \$21.50 | |

Dimensions

inches [mm]



See our website www.AutomationDirect.com for complete Engineering drawings.



1/2" NPT Aluminum Manifolds



MRA-2ED



MRA-2ED-90



MRA-2ED-W

NITRA aluminum manifolds

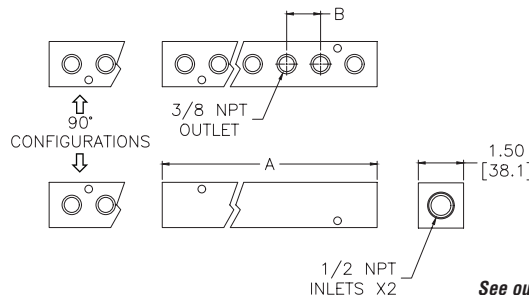
- Black anodized finish
- Maximum input pressure of 1000 psi
- Made in the USA



| NITRA® 1/2" NPT Aluminum Manifolds | | | | | | |
|------------------------------------|--|---------------|-------------|---------------|--------------|---------|
| Part No. | Description | A | B | Parts Per Pkg | Weight (lbs) | Price |
| MRA-2ED | NITRA pneumatic manifold, aluminum, rectangular, (2) 1/2 inch female NPT inlet port(s), 2 stations, (1) 3/8 inch female NPT outlet port(s) per station, standard hole spacing. | 2.75 [69.9] | 1.00 [25.4] | 1 | 0.4 | \$18.50 |
| MRA-2ED-90 | NITRA pneumatic manifold, aluminum, rectangular, (2) 1/2 inch female NPT inlet port(s), 2 stations, (2) 3/8 inch female NPT outlet port(s) per station, 90-degree orientation, standard hole spacing. | 2.75 [69.9] | 1.00 [25.4] | 1 | 0.4 | \$24.50 |
| MRA-2ED-W | NITRA pneumatic manifold, aluminum, rectangular, (2) 1/2 inch female NPT inlet port(s), 2 stations, (1) 3/8 inch female NPT outlet port(s) per station, wide hole spacing. | 3.25 [82.6] | 1.50 [38.1] | 1 | 0.6 | \$19.00 |
| MRA-3ED | NITRA pneumatic manifold, aluminum, rectangular, (2) 1/2 inch female NPT inlet port(s), 3 stations, (1) 3/8 inch female NPT outlet port(s) per station, standard hole spacing. | 3.75 [95.3] | 1.00 [25.4] | 1 | 0.6 | \$19.00 |
| MRA-3ED-90 | NITRA pneumatic manifold, aluminum, rectangular, (2) 1/2 inch female NPT inlet port(s), 3 stations, (2) 3/8 inch female NPT outlet port(s) per station, 90-degree orientation, standard hole spacing. | 3.75 [95.3] | 1.00 [25.4] | 1 | 0.6 | \$24.50 |
| MRA-3ED-W | NITRA pneumatic manifold, aluminum, rectangular, (2) 1/2 inch female NPT inlet port(s), 3 stations, (1) 3/8 inch female NPT outlet port(s) per station, wide hole spacing. | 4.75 [120.7] | 1.50 [38.1] | 1 | 0.8 | \$19.50 |
| MRA-4ED | NITRA pneumatic manifold, aluminum, rectangular, (2) 1/2 inch female NPT inlet port(s), 4 stations, (1) 3/8 inch female NPT outlet port(s) per station, standard hole spacing. | 4.75 [120.7] | 1.00 [25.4] | 1 | 0.8 | \$20.00 |
| MRA-4ED-90 | NITRA pneumatic manifold, aluminum, rectangular, (2) 1/2 inch female NPT inlet port(s), 4 stations, (2) 3/8 inch female NPT outlet port(s) per station, 90-degree orientation, standard hole spacing. | 4.75 [120.7] | 1.00 [25.4] | 1 | 0.7 | \$24.50 |
| MRA-4ED-W | NITRA pneumatic manifold, aluminum, rectangular, (2) 1/2 inch female NPT inlet port(s), 4 stations, (1) 3/8 inch female NPT outlet port(s) per station, wide hole spacing. | 6.25 [158.8] | 1.50 [38.1] | 1 | 1.1 | \$21.00 |
| MRA-5ED | NITRA pneumatic manifold, aluminum, rectangular, (2) 1/2 inch female NPT inlet port(s), 5 stations, (1) 3/8 inch female NPT outlet port(s) per station, standard hole spacing. | 5.75 [146.1] | 1.00 [25.4] | 1 | 1.0 | \$21.00 |
| MRA-5ED-90 | NITRA pneumatic manifold, aluminum, rectangular, (2) 1/2 inch female NPT inlet port(s), 5 stations, (2) 3/8 inch female NPT outlet port(s) per station, 90-degree orientation, standard hole spacing. | 5.75 [146.1] | 1.00 [25.4] | 1 | 0.9 | \$25.50 |
| MRA-5ED-W | NITRA pneumatic manifold, aluminum, rectangular, (2) 1/2 inch female NPT inlet port(s), 5 stations, (1) 3/8 inch female NPT outlet port(s) per station, wide hole spacing. | 7.75 [196.9] | 1.50 [38.1] | 1 | 1.3 | \$22.50 |
| MRA-6ED | NITRA pneumatic manifold, aluminum, rectangular, (2) 1/2 inch female NPT inlet port(s), 6 stations, (1) 3/8 inch female NPT outlet port(s) per station, standard hole spacing. | 6.75 [171.5] | 1.00 [25.4] | 1 | 1.1 | \$22.50 |
| MRA-6ED-90 | NITRA pneumatic manifold, aluminum, rectangular, (2) 1/2 inch female NPT inlet port(s), 6 stations, (2) 3/8 inch female NPT outlet port(s) per station, 90-degree orientation, standard hole spacing. | 6.75 [171.5] | 1.00 [25.4] | 1 | 1.1 | \$25.50 |
| MRA-6ED-W | NITRA pneumatic manifold, aluminum, rectangular, (2) 1/2 inch female NPT inlet port(s), 6 stations, (1) 3/8 inch female NPT outlet port(s) per station, wide hole spacing. | 9.25 [235.0] | 1.50 [38.1] | 1 | 1.6 | \$23.50 |
| MRA-7ED | NITRA pneumatic manifold, aluminum, rectangular, (2) 1/2 inch female NPT inlet port(s), 7 stations, (1) 3/8 inch female NPT outlet port(s) per station, standard hole spacing. | 7.75 [196.9] | 1.00 [25.4] | 1 | 1.3 | \$25.50 |
| MRA-8ED | NITRA pneumatic manifold, aluminum, rectangular, (2) 1/2 inch female NPT inlet port(s), 8 stations, (1) 3/8 inch female NPT outlet port(s) per station, standard hole spacing. | 8.75 [222.3] | 1.00 [25.4] | 1 | 1.5 | \$29.00 |
| MRA-8ED-90 | NITRA pneumatic manifold, aluminum, rectangular, (2) 1/2 inch female NPT inlet port(s), 8 stations, (2) 3/8 inch female NPT outlet port(s) per station, 90-degree orientation, standard hole spacing. | 8.75 [222.3] | 1.00 [25.4] | 1 | 1.4 | \$39.50 |
| MRA-8ED-W | NITRA pneumatic manifold, aluminum, rectangular, (2) 1/2 inch female NPT inlet port(s), 8 stations, (1) 3/8 inch female NPT outlet port(s) per station, wide hole spacing. | 12.25 [311.2] | 1.50 [38.1] | 1 | 2.1 | \$32.50 |
| MRA-9ED | NITRA pneumatic manifold, aluminum, rectangular, (2) 1/2 inch female NPT inlet port(s), 9 stations, (1) 3/8 inch female NPT outlet port(s) per station, standard hole spacing. | 9.75 [247.7] | 1.00 [25.4] | 1 | 1.6 | \$30.00 |
| MRA-10ED | NITRA pneumatic manifold, aluminum, rectangular, (2) 1/2 inch female NPT inlet port(s), 10 stations, (1) 3/8 inch female NPT outlet port(s) per station, standard hole spacing. | 10.75 [273.1] | 1.00 [25.4] | 1 | 1.8 | \$31.00 |
| MRA-10ED-90 | NITRA pneumatic manifold, aluminum, rectangular, (2) 1/2 inch female NPT inlet port(s), 10 stations, (2) 3/8 inch female NPT outlet port(s) per station, 90-degree orientation, standard hole spacing. | 10.75 [273.1] | 1.00 [25.4] | 1 | 1.7 | \$41.50 |

Dimensions

inches [mm]



See our website www.AutomationDirect.com for complete Engineering drawings.



3/4" NPT Aluminum Manifolds



MRA-2FD

NITRA aluminum manifolds

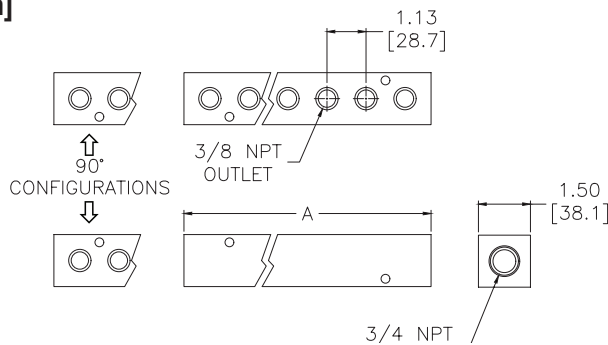
- Black anodized finish
- Maximum input pressure of 1000 psi
- Made in the USA



| NITRA® 3/4" NPT Aluminum Manifolds | | | | | |
|------------------------------------|---|---------------|---------------|--------------|---------|
| Part No. | Description | A | Parts Per Pkg | Weight (lbs) | Price |
| MRA-2FD | NITRA pneumatic manifold, aluminum, rectangular, (2) 3/4 inch female NPT inlet port(s), 2 stations, (1) 3/8 inch female NPT outlet port(s) per station, standard hole spacing. | 4.63 [117.6] | 1 | 0.8 | \$23.50 |
| MRA-3FD | NITRA pneumatic manifold, aluminum, rectangular, (2) 3/4 inch female NPT inlet port(s), 3 stations, (1) 3/8 inch female NPT outlet port(s) per station, standard hole spacing. | 5.75 [146.1] | 1 | 0.9 | \$24.50 |
| MRA-4FD | NITRA pneumatic manifold, aluminum, rectangular, (2) 3/4 inch female NPT inlet port(s), 4 stations, (1) 3/8 inch female NPT outlet port(s) per station, standard hole spacing. | 6.88 [174.8] | 1 | 1.1 | \$27.00 |
| MRA-5FD | NITRA pneumatic manifold, aluminum, rectangular, (2) 3/4 inch female NPT inlet port(s), 5 stations, (1) 3/8 inch female NPT outlet port(s) per station, standard hole spacing. | 8.00 [203.2] | 1 | 1.3 | \$28.00 |
| MRA-6FD | NITRA pneumatic manifold, aluminum, rectangular, (2) 3/4 inch female NPT inlet port(s), 6 stations, (1) 3/8 inch female NPT outlet port(s) per station, standard hole spacing. | 9.13 [231.9] | 1 | 1.5 | \$29.00 |
| MRA-8FD | NITRA pneumatic manifold, aluminum, rectangular, (2) 3/4 inch female NPT inlet port(s), 8 stations, (1) 3/8 inch female NPT outlet port(s) per station, standard hole spacing. | 11.38 [289.1] | 1 | 1.9 | \$39.50 |
| MRA-10FD | NITRA pneumatic manifold, aluminum, rectangular, (2) 3/4 inch female NPT inlet port(s), 10 stations, (1) 3/8 inch female NPT outlet port(s) per station, standard hole spacing. | 13.63 [346.2] | 1 | 2.2 | \$41.50 |

Dimensions

inches [mm]



See our website www.AutomationDirect.com for complete Engineering drawings.



1" NPT Aluminum Manifolds



MRA-2GE



MRA-2GE-90

NITRA aluminum manifolds

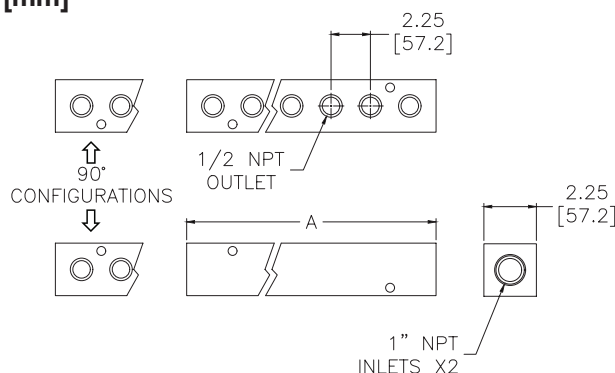
- Plain finish
- Maximum input pressure of 1000 psi
- Made in the USA



| NITRA® 1" NPT Aluminum Manifolds | | | | | |
|----------------------------------|---|---------------|---------------|--------------|---------|
| Part No. | Description | A | Parts Per Pkg | Weight (lbs) | Price |
| MRA-2GE | NITRA pneumatic manifold, aluminum, rectangular, (2) 1 inch female NPT inlet port(s), 2 stations, (1) 1/2 inch female NPT outlet port(s) per station, standard hole spacing. | 5.25 [133.4] | 1 | 2.0 | \$39.50 |
| MRA-2GE-90 | NITRA pneumatic manifold, aluminum, rectangular, (2) 1 inch female NPT inlet port(s), 2 stations, (2) 1/2 inch female NPT outlet port(s) per station, 90-degree orientation, standard hole spacing. | 5.25 [133.4] | 1 | 1.9 | \$44.50 |
| MRA-3GE | NITRA pneumatic manifold, aluminum, rectangular, (2) 1 inch female NPT inlet port(s), 3 stations, (1) 1/2 inch female NPT outlet port(s) per station, standard hole spacing. | 7.50 [190.5] | 1 | 2.8 | \$45.50 |
| MRA-3GE-90 | NITRA pneumatic manifold, aluminum, rectangular, (2) 1 inch female NPT inlet port(s), 3 stations, (2) 1/2 inch female NPT outlet port(s) per station, 90-degree orientation, standard hole spacing. | 7.50 [190.5] | 1 | 2.7 | \$51.00 |
| MRA-4GE | NITRA pneumatic manifold, aluminum, rectangular, (2) 1 inch female NPT inlet port(s), 4 stations, (1) 1/2 inch female NPT outlet port(s) per station, standard hole spacing. | 9.75 [247.7] | 1 | 3.7 | \$51.00 |
| MRA-4GE-90 | NITRA pneumatic manifold, aluminum, rectangular, (2) 1 inch female NPT inlet port(s), 4 stations, (2) 1/2 inch female NPT outlet port(s) per station, 90-degree orientation, standard hole spacing. | 9.75 [247.7] | 1 | 3.6 | \$57.00 |
| MRA-5GE | NITRA pneumatic manifold, aluminum, rectangular, (2) 1 inch female NPT inlet port(s), 5 stations, (1) 1/2 inch female NPT outlet port(s) per station, standard hole spacing. | 12.00 [304.8] | 1 | 4.6 | \$55.00 |
| MRA-5GE-90 | NITRA pneumatic manifold, aluminum, rectangular, (2) 1 inch female NPT inlet port(s), 5 stations, (2) 1/2 inch female NPT outlet port(s) per station, 90-degree orientation, standard hole spacing. | 12.00 [304.8] | 1 | 4.4 | \$60.00 |
| MRA-6GE | NITRA pneumatic manifold, aluminum, rectangular, (2) 1 inch female NPT inlet port(s), 6 stations, (1) 1/2 inch female NPT outlet port(s) per station, standard hole spacing. | 14.25 [362.0] | 1 | 5.4 | \$58.00 |
| MRA-6GE-90 | NITRA pneumatic manifold, aluminum, rectangular, (2) 1 inch female NPT inlet port(s), 6 stations, (2) 1/2 inch female NPT outlet port(s) per station, 90-degree orientation, standard hole spacing. | 14.25 [362.0] | 1 | 5.3 | \$68.00 |
| MRA-7GE | NITRA pneumatic manifold, aluminum, rectangular, (2) 1 inch female NPT inlet port(s), 7 stations, (1) 1/2 inch female NPT outlet port(s) per station, standard hole spacing. | 16.50 [419.1] | 1 | 6.3 | \$69.00 |
| MRA-7GE-90 | NITRA pneumatic manifold, aluminum, rectangular, (2) 1 inch female NPT inlet port(s), 7 stations, (2) 1/2 inch female NPT outlet port(s) per station, 90-degree orientation, standard hole spacing. | 16.50 [419.0] | 1 | 6.1 | \$75.00 |
| MRA-8GE | NITRA pneumatic manifold, aluminum, rectangular, (2) 1 inch female NPT inlet port(s), 8 stations, (1) 1/2 inch female NPT outlet port(s) per station, standard hole spacing. | 18.75 [476.3] | 1 | 7.2 | \$79.00 |
| MRA-8GE-90 | NITRA pneumatic manifold, aluminum, rectangular, (2) 1 inch female NPT inlet port(s), 8 stations, (2) 1/2 inch female NPT outlet port(s) per station, 90-degree orientation, standard hole spacing. | 18.75 [476.3] | 1 | 6.9 | \$87.00 |

Dimensions

inches [mm]



See our website www.AutomationDirect.com for complete Engineering drawings.