



# BVS-4 Series Control Distribution Blocks



Part No. BVPS-4

NITRA pneumatic control distribution blocks are a convenient way to connect a bank of valves to a controller. Replace a bundle of solenoid cables with one 5-pole M12 cable. Each block matches up with a manifold of two to four stations.

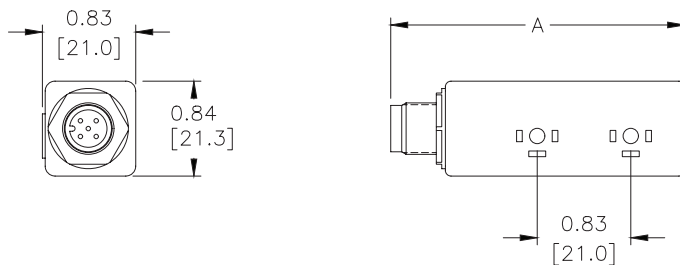
## Features

- Single 5-pole M12 wiring connection
- IP 65 rating
- 2 to 4 stations

BVS-4 Series Control Distribution Blocks				
Part No.	Description	Dimension "A" in [mm]	Price	Weight (lbs)
BVPS-2	NITRA control distribution block, AC/DC, 2 stations, M12 connector. For use with BVS-4 series valves.	2.60 [66.0]	\$49.00	0.2
BVPS-3	NITRA control distribution block, AC/DC, 3 stations, M12 connector. For use with BVS-4 series valves.	3.43 [87.0]	\$74.00	0.3
BVPS-4	NITRA control distribution block, AC/DC, 4 stations, M12 connector. For use with BVS-4 series valves.	4.25 [108.0]	\$98.00	0.3

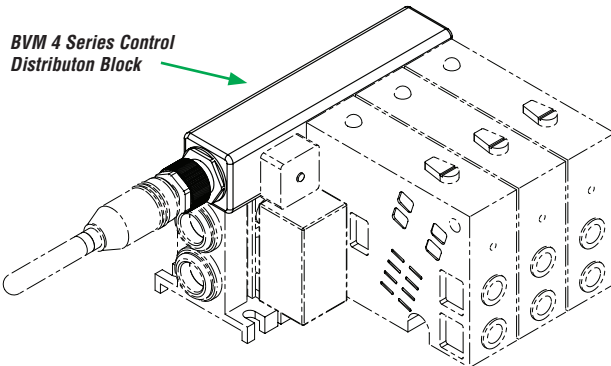
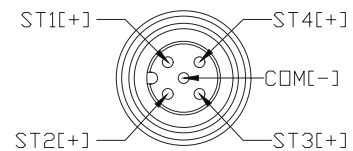
## Dimensions

inches [mm]



## Wiring

BVPS WIRING DIAGRAM



For the BVS-4 Control Distribution Block use one of the following cable part numbers:

- 7000-12241-2150300
- 7000-12361-2150300
- 7000-12241-2150500
- 7000-12361-2150500
- 7000-12241-2151000
- 7000-12361-2151000

For further details see the wiring-solutions section of our catalog or our website [www.AutomationDirect.com](http://www.AutomationDirect.com)

See our website [www.AutomationDirect.com](http://www.AutomationDirect.com) for complete Engineering drawings.



# BVS-4 Series Control Distribution Blocks

## BVS-4 Series Control Distribution Blocks Accessories



**BVPS-BP**

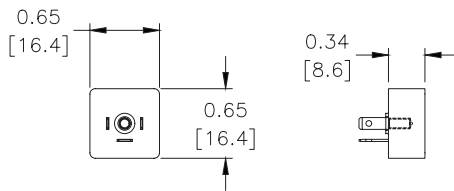


**BVM-4BP1**

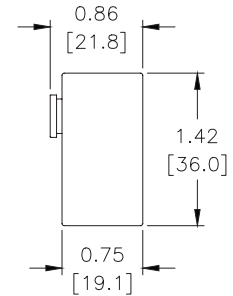
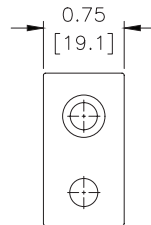
AVPS Series Control Distribution Blocks Accessories			
Part No.	Description	Price	Weight (lbs)
<b>BVPS-BP</b>	NITRA blanking plug, for use with BVPS series control distribution blocks.	\$13.50	0.1
<b>BVM-4BP1</b>	NITRA blanking plug, fiberglass reinforced plastic. For use with BVM-4x25 manifolds.	\$15.50	0.1
<b>BVM-4BP2</b>	NITRA blanking plug, fiberglass reinforced plastic. For use with BVM-4x6M manifolds.	\$15.50	0.1

## Dimensions

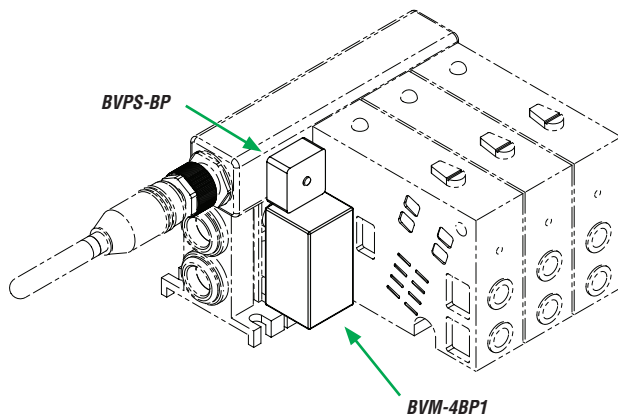
inches [mm]



**Part No. BVPS-BP**



**Part No. BVM-4BPx**



See our website [www.AutomationDirect.com](http://www.AutomationDirect.com) for complete Engineering drawings.