



# Pneumatic Directional Control – Manual Valves

NITRA™ pneumatic directional control manual valves are body ported spool or ball valves. Available port sizes are 1/8", 1/4" or 1/2 NPT with flow coefficients (Cv) from 0.78 to 5.29. Models are available in 2-position or 3-position, detented or spring return operation styles.

- Body ported, 5-port spool or 4-port rotary valves
- 2-position or 3-position detented operation models
- 2-position or 3-position spring return models
- 2 year warranty

## Features



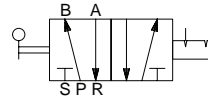
Side View



See [www.AutomationDirect.com](http://www.AutomationDirect.com) for a wide variety of fitting options

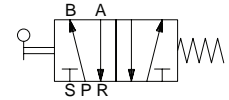
### Toggle Style Hand Lever Valve

Diagram "A"



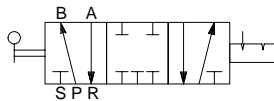
5-Port, 2-Pos. Toggle Detented

Diagram "B"



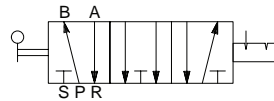
5-Port, 2-Pos. Spring Return

Diagram "C"



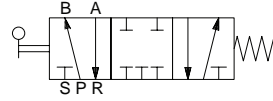
5-Port, 3-Pos. Center Closed Detented

Diagram "D"



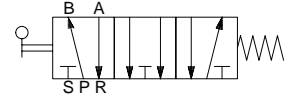
5-Port, 3-Pos. Center Exhaust Detented

Diagram "E"



5-Port, 3-Pos. Center Closed Spring Return

Diagram "F"



5-Port, 3-Pos. Center Exhaust Spring Return

Toggle Style Hand Lever Valve Specifications												
Models	AVS-527D1-HL	AVS-537D2-HL	AVS-5271-HL	AVS-528DC1-HL	AVS-528DE1-HL	AVS-538DC1-HL	AVS-538DE1-HL	AVS-528C1-HL	AVS-528E1-HL	AVS-538C1-HL	AVS-538E1-HL	AVS-5372-HL
Price	\$20.00	\$28.50	\$36.00	\$36.00	\$37.00	\$47.00	\$48.00	\$47.00	\$47.00	\$52.00	\$52.00	\$46.00
Weight (lbs)	0.40	0.60	0.40	0.60	0.40	0.40	0.60	0.60	0.40	0.40	0.60	0.60
Valve Type	5-port 2-position detented		5-port 2-position spring return	5-port 3-position center closed detented	5-port 3-position center exhaust detented	5-port 3-position center closed detented	5-port 3-position center exhaust detented	5-port 3-position center closed spring return	5-port 3-position center exhaust spring return	5-port 3-position center closed spring return	5-port 3-position center exhaust spring return	5-port 2-position spring return
Acting	Direct Action Hand Lever											
Diagram	A		B	C	D	C	D	E	F	E	F	B
Port Size	1/8" NPT	1/4" NPT	1/8" NPT	1/8" NPT	1/8" NPT	1/4" NPT	1/4" NPT	1/8" NPT	1/8" NPT	1/4" NPT	1/4" NPT	1/4" NPT
Flow Cv	0.78	1.39	0.78	0.67	0.67	1.00	1.00	0.67	0.67	1.00	1.00	1.39
Fluid	Air (to be filtered by 40µ filter element)											
Min. / Max. Pressure	0-115Psi											
Temperature	-5-60°C (23-140°F)											
Lubrication	Not Required											
Body	Aluminum Alloy											
Drawing Figure	11											



# Pneumatic Directional Control – Manual Valves



See [www.AutomationDirect.com](http://www.AutomationDirect.com) for a wide variety of fitting options

## Push-Pull Valves

Diagram "A"



5-Port, 2-Pos. Push-Pull Detented

Push-Pull Valve Specifications		
Models	AVS-527D1-PP	AVS-537D2-PP
Price	\$19.50	\$27.00
Weight (lbs)	0.3	0.6
Valve Type	5-port 2-position detented	
Acting	Direct Acting Push-Pull	
Diagram	A	
Port Size	1/8" NPT	1/4" NPT
Flow Cv	0.78	1.39
Fluid	Air (to be filtered by 40µ filter element)	
Min. / Max. Pressure	0-115Psi	
Temperature	-5-60°C (23-140°F)	
Lubrication	Not Required	
Body	Aluminum Alloy	
Drawing Figure	12	



# Pneumatic Directional Control – Manual Valves



See [www.AutomationDirect.com](http://www.AutomationDirect.com) for a wide variety of fitting options

## Rotary Style Hand Lever Valve

Diagram "A"

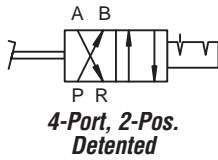
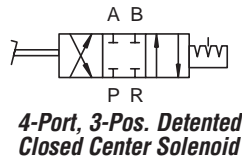


Diagram "B"



Rotary Style Hand Lever Valve Specifications				
Models	CVR-437D2-HL	CVR-438D2-HL	CVR-447D4-HL	CVR-448D4-HL
Price	\$20.50	\$20.50	\$24.50	\$24.50
Weight (lbs)	1.5	1.5	3.1	3.1
Valve Type	4-port 2-position detented	4-port 3-position detented closed center	4-port 2-position detented	4-port 3-position detented closed center
Acting	Rotary Style Hand Lever			
Diagram	A	B	A	B
Port Size	1/4" NPT	1/4" NPT	1/2" NPT	1/2" NPT
Flow Cv	0.89	0.89	5.29	5.29
Fluid	Air (to be filtered by 40µ filter element)			
Min. / Max. Pressure	0-145Psi			
Temperature	-5-63°C (23-145°F)			
Lubrication	Not Required			
Body	Aluminum Alloy			
Drawing Figure	13			

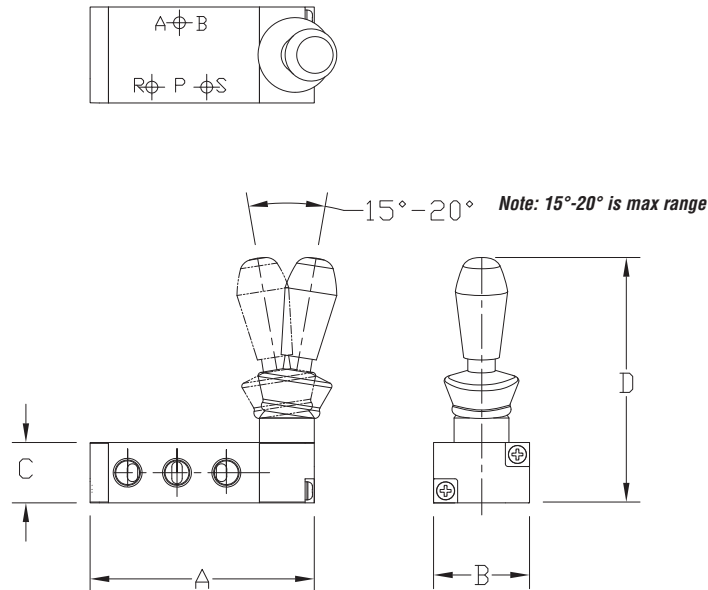


# Pneumatic Directional Control - Manual Valve Dimensions

## Dimensions

mm [inches]

Figure 11



Push-Pull Valve Specifications				
Model	A mm [inches]	B mm [inches]	C mm [inches]	D mm [inches]
AVS-527D1-HL	81.8 [3.22]	35.0 [1.38]	22.0 [0.87]	89.5 [3.52]
AVS-537D2-HL	100.9 [3.97]	40.2 [1.58]	27.1 [1.07]	91.6 [3.61]
AVS-5271-HL	81.5 [3.21]	35.0 [1.38]	22.0 [0.87]	89.9 [3.54]
AVS-528DC1-HL	81.5 [3.21]	35.0 [1.38]	22.0 [0.87]	89.9 [3.54]
AVS-528DE1-HL	81.5 [3.21]	35.0 [1.38]	22.0 [0.87]	89.9 [3.54]
AVS-538DC1-HL	101.0 [3.98]	40.0 [1.57]	27.0 [1.06]	94.0 [3.70]
AVS-538DE1-HL	101.0 [3.98]	40.0 [1.57]	27.0 [1.06]	94.0 [3.70]
AVS-528C1-HL	100.5 [3.96]	35.0 [1.38]	22.0 [0.87]	90.4 [3.56]
AVS-528E1-HL	100.5 [3.96]	35.0 [1.38]	22.0 [0.87]	90.4 [3.56]
AVS-538C1-HL	120.0 [4.72]	40.0 [1.57]	27.0 [1.06]	94.0 [3.70]
AVS-538E1-HL	120.0 [4.72]	40.0 [1.57]	27.0 [1.06]	94.0 [3.70]
AVS-5372-HL	101.0 [3.98]	40.0 [1.57]	27.0 [1.06]	94.0 [3.70]

See our website [www.AutomationDirect.com](http://www.AutomationDirect.com) for complete Engineering drawings



# Pneumatic Directional Control – Manual Valve Dimensions

## Dimensions

mm [inches]

Figure 12

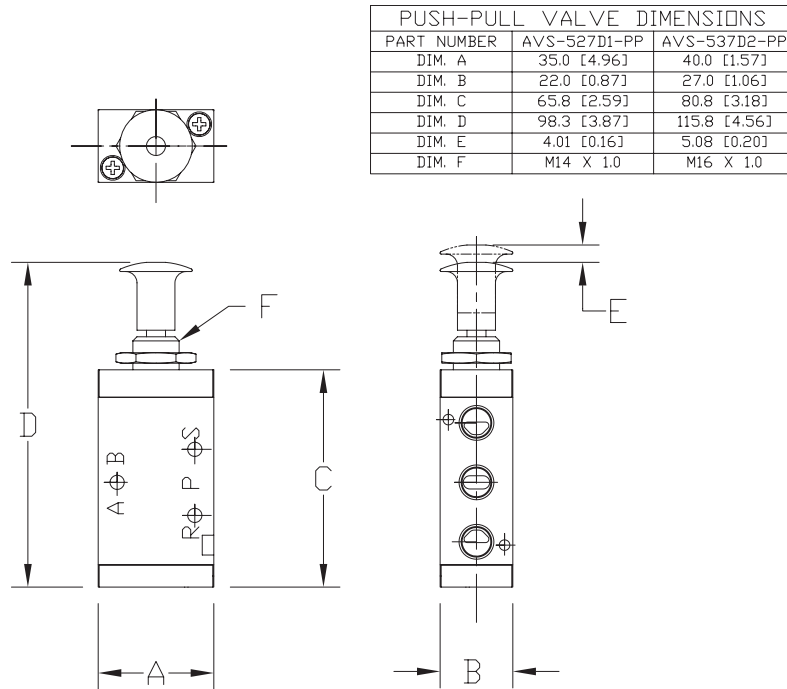
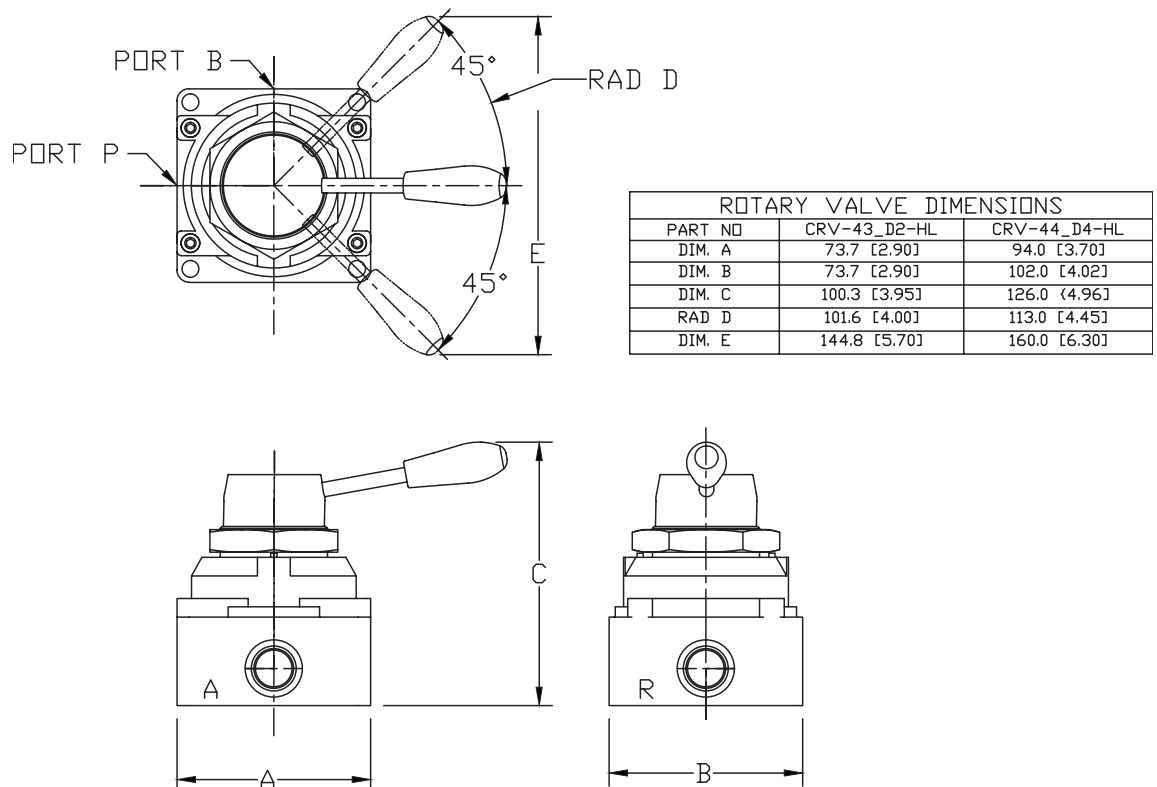


Figure 13



See our website [www.AutomationDirect.com](http://www.AutomationDirect.com) for complete Engineering drawings