



# Exhaust Silencers

NITRA™ exhaust silencers are available in three styles and nine popular NPT and BSPT sizes. Add these to the exhaust ports of NITRA directional control solenoid valves to reduce noise.

## Features

- Inch and metric sizes available
- Bronze cone and flat styles
- Plastic cylindrical
- Maximum pressure = 150 psi (10 bar)



SBC Series

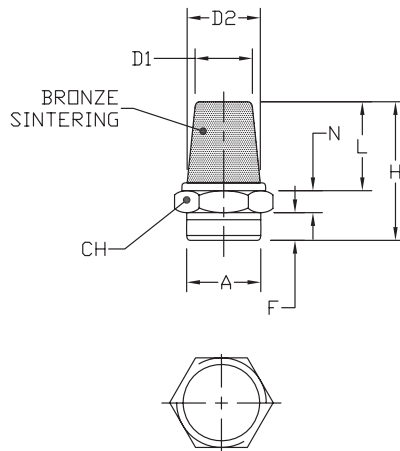


SBF Series



SPL Series

### SBC Silencers

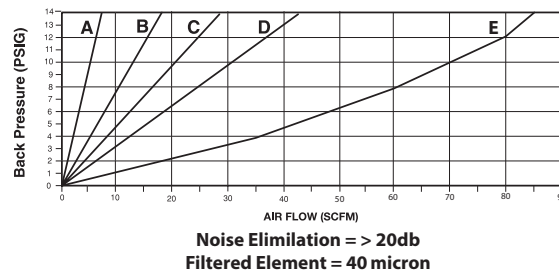


NITRA™ Bronze Cone Silencers											
Inch Sizes - dimensions in inches [mm]											
Part No.	Price	A	CH	D1	D2	F	H	L	N	Package Weight (lb)	Qty. per pack
SBC-18N	\$2.50	MNPT 1/8	0.47 [12.0]	0.32 [8.0]	0.28 [7.0]	0.24 [6.0]	0.94 [24.0]	0.55 [14.0]	0.16 [4.0]	0.01	2
SBC-14N	\$2.75	MNPT 1/4	0.63 [16.0]	0.47 [12.0]	0.40 [10.0]	0.32 [8.0]	1.18 [30.0]	0.71 [18.0]	0.16 [4.0]	0.01	
SBC-38N	\$4.00	MNPT 3/8	0.71 [18.0]	0.55 [14.0]	0.39 [11.0]	0.35 [9.0]	1.38 [35.0]	0.83 [21.0]	0.197 [5.0]	0.05	
SBC-12N	\$7.50	MNPT 1/2	0.94 [24.0]	0.75 [19.0]	0.59 [15.0]	0.40 [10.0]	1.73 [44.0]	1.10 [28.0]	0.24 [6.0]	0.15	
Metric Sizes - dimensions in inches [mm]											
SBC-M5	\$1.75	M5	0.31 [8.0]	0.20 [5.0]	0.16 [4.0]	0.20 [5.0]	0.79 [20.0]	0.47 [12.0]	0.12 [3.0]	0.01	2
SBC-18R	\$2.50	R 1/8	0.47 [12.0]	0.32 [8.0]	0.28 [7.0]	0.24 [6.0]	0.94 [24.0]	0.55 [14.0]	0.16 [4.0]	0.01	
SBC-14R	\$2.75	R 1/4	0.63 [16.0]	0.47 [12.0]	0.40 [10.0]	0.32 [8.0]	1.18 [30.0]	0.71 [18.0]	0.16 [4.0]	0.01	
SBC-38R	\$4.00	R 3/8	0.71 [18.0]	0.55 [14.0]	0.39 [11.0]	0.35 [9.0]	1.38 [35.0]	0.83 [21.0]	0.197 [5.0]	0.05	
SBC-12R	\$7.50	R 1/2	0.94 [24.0]	0.75 [19.0]	0.59 [15.0]	0.40 [10.0]	1.73 [44.0]	1.10 [28.0]	0.24 [6.0]	0.15	

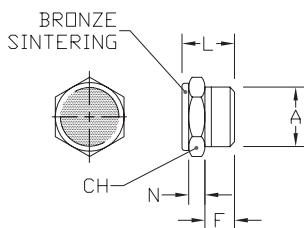
## Flow Characteristics

### Bronze Cone Silencers

- A: SBC-M5
- B: SBC-18N; SBC-18R
- C: SBC-14N; SBC-14R
- D: SBC-38N; SBC-38R
- E: SBC-12N; SBC-12R



### SBF Silencers



NITRA™ Bronze Flat Silencers									
Inch Sizes - dimensions in inches [mm]									
Part No.	Price	A	CH	F	L	N	Package Weight (lb)	Qty. per pack	
SBF-18N	\$2.50	MNPT 1/8	0.47 [12.0]	0.24 [6.0]	0.47 [12.0]	0.16 [4.0]	0.01	2	
SBF-14N	\$2.75	MNPT 1/4	0.67 [17.0]	0.32 [8.0]	0.59 [15.0]	0.16 [4.0]	0.01		
SBF-38N	\$3.75	MNPT 3/8	0.75 [19.0]	0.35 [9.0]	0.67 [17.0]	0.20 [5.0]	0.05		
SBF-12N	\$7.75	MNPT 1/2	0.94 [24.0]	0.40 [10.0]	0.71 [18.0]	0.24 [6.0]	0.15		
Metric Sizes - dimensions in inches [mm]									
SBF-M5	\$1.50	M5	0.31 [8.0]	0.20 [5.0]	0.35 [9.0]	0.12 [3.0]	0.01	2	
SBF-18R	\$2.50	R 1/8	0.47 [12.0]	0.24 [6.0]	0.47 [12.0]	0.16 [4.0]	0.01		
SBF-14R	\$2.75	R 1/4	0.67 [17.0]	0.32 [8.0]	0.59 [15.0]	0.16 [4.0]	0.01		
SBF-38R	\$3.75	R 3/8	0.75 [19.0]	0.35 [9.0]	0.67 [17.0]	0.20 [5.0]	0.05		
SBF-12R	\$7.75	R 1/2	0.94 [24.0]	0.40 [10.0]	0.71 [18.0]	0.24 [6.0]	0.15		

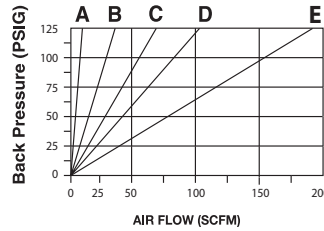


# Exhaust Silencers

## Flow Characteristics

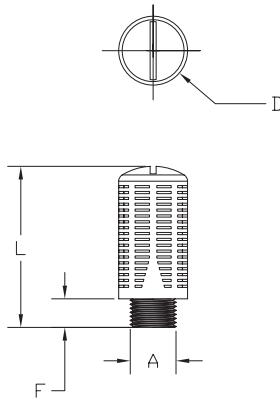
### Bronze Flat Silencers

- A: SBF-M5
- B: SBF-18N; SBF-18R
- C: SBF-14N; SBF-14R
- D: SBF-28N; SBF-38R
- E: SBF-12N; SBF-12R



Noise Elimination = > 30db  
Filtered Element = 40 micron

### SPL Silencers



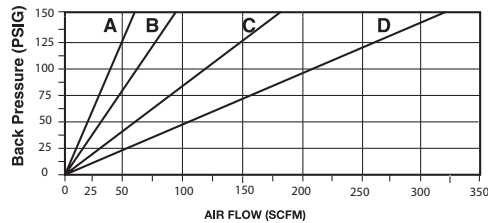
Note: SPL series plastic exhaust silencers have a maximum pressure of 80 PSI (5.5 bar).

NITRA™ Plastic Exhaust Silencers							
Inch Sizes - dimensions in inches [mm]							
Part No.	Price	A	D	L	F	Package Weight (lbs)	Qty. per pack
SPL-18N	\$2.00	MNPT 1/8	0.55 [13.8]	1.28 [32.4]	0.33 [8.3]	0.02	2
SPL-14N	\$2.25	MNPT 1/4	0.68 [17.3]	1.68 [42.5]	0.39 [9.9]	0.03	
SPL-38N	\$2.50	MNPT 3/8	0.87 [22.0]	2.10 [53.4]	0.40 [10.0]	0.06	
SPL-12N	\$2.50	MNPT 1/2	1.00 [25.4]	2.66 [67.6]	0.44 [11.1]	0.08	
Metric Sizes - dimensions in inches [mm]							
SPL-18R	\$2.00	R 1/8	0.60 [15.2]	1.33 [33.7]	0.24 [6.1]	0.02	2
SPL-14R	\$2.25	R 1/4	0.60 [18.8]	1.60 [40.6]	0.31 [7.7]	0.03	
SPL-38R	\$2.50	R 3/8	0.94 [24.0]	2.20 [55.9]	0.39 [9.9]	0.06	
SPL-12R	\$2.50	R 1/2	0.94 [24.0]	2.20 [55.9]	0.39 [9.9]	0.08	

## Flow Characteristics

### Plastic Silencers

- A: SPL-18N; SPL-18R
- B: SPL-14N; SPL-14R
- C: SPL-38N; SPL-38R
- D: SPL-12N; SPL-12R



Noise Elimination = > 30db  
Filtered Element = 40 micron