



Polypropylene Manifolds



NITRA polypropylene manifolds

- 2 to 10 stations
- Variety of port sizes
- Polypropylene (PP)
- Maximum input pressure 150psi
- Made in the USA



Part No. **MRP-2CB**

Part No. **MRP-2DC**

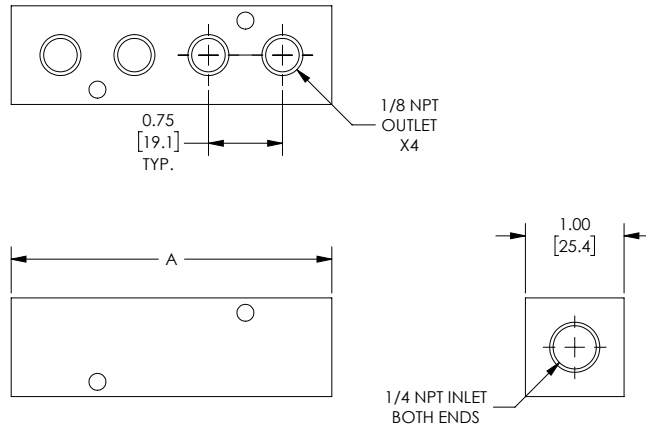
NITRA® Polypropylene Manifolds					
Part No.	Description	A	Parts Per Pkg	Weight (lbs)	Price
MRP-2CB	NITRA air or water pneumatic manifold, polypropylene (PP), rectangular, 150 psi maximum operating pressure, 2 stations, (2) 1/4in female NPT inlet(s), (2) 1/8in female NPT outlet(s), standard hole spacing.	1.75 [44.5]	1	0.07	\$26.50
MRP-3CB	NITRA air or water pneumatic manifold, polypropylene (PP), rectangular, 150 psi maximum operating pressure, 3 stations, (2) 1/4in female NPT inlet(s), (3) 1/8in female NPT outlet(s), standard hole spacing.	2.50 [63.5]	1	0.11	\$29.50
MRP-4CB	NITRA air or water pneumatic manifold, polypropylene (PP), rectangular, 150 psi maximum operating pressure, 4 stations, (2) 1/4in female NPT inlet(s), (4) 1/8in female NPT outlet(s), standard hole spacing.	3.25 [82.6]	1	0.13	\$33.00
MRP-5CB	NITRA air or water pneumatic manifold, polypropylene (PP), rectangular, 150 psi maximum operating pressure, 5 stations, (2) 1/4in female NPT inlet(s), (5) 1/8in female NPT outlet(s), standard hole spacing.	4.00 [101.6]	1	0.16	\$34.00
MRP-6CB	NITRA air or water pneumatic manifold, polypropylene (PP), rectangular, 150 psi maximum operating pressure, 6 stations, (2) 1/4in female NPT inlet(s), (6) 1/8in female NPT outlet(s), standard hole spacing.	4.75 [120.7]	1	0.19	\$35.50
MRP-7CB	NITRA air or water pneumatic manifold, polypropylene (PP), rectangular, 150 psi maximum operating pressure, 7 stations, (2) 1/4in female NPT inlet(s), (7) 1/8in female NPT outlet(s), standard hole spacing.	5.50 [139.7]	1	0.24	\$37.50
MRP-8CB	NITRA air or water pneumatic manifold, polypropylene (PP), rectangular, 150 psi maximum operating pressure, 8 stations, (2) 1/4in female NPT inlet(s), (8) 1/8in female NPT outlet(s), standard hole spacing.	6.25 [158.8]	1	0.25	\$41.00
MRP-9CB	NITRA air or water pneumatic manifold, polypropylene (PP), rectangular, 150 psi maximum operating pressure, 9 stations, (2) 1/4in female NPT inlet(s), (9) 1/8in female NPT outlet(s), standard hole spacing.	7.00 [177.8]	1	0.30	\$42.50
MRP-10CB	NITRA air or water pneumatic manifold, polypropylene (PP), rectangular, 150 psi maximum operating pressure, 10 stations, (2) 1/4in female NPT inlet(s), (10) 1/8in female NPT outlet(s), standard hole spacing.	7.75 [196.9]	1	0.32	\$44.00
MRP-2DC	NITRA air or water pneumatic manifold, polypropylene (PP), rectangular, 150 psi maximum operating pressure, 2 stations, (2) 3/8in female NPT inlet(s), (2) 1/4in female NPT outlet(s), standard hole spacing.	2.13 [54.0]	1	0.13	\$29.50
MRP-3DC	NITRA air or water pneumatic manifold, polypropylene (PP), rectangular, 150 psi maximum operating pressure, 3 stations, (2) 3/8in female NPT inlet(s), (3) 1/4in female NPT outlet(s), standard hole spacing.	3.00 [76.2]	1	0.18	\$32.50
MRP-4DC	NITRA air or water pneumatic manifold, polypropylene (PP), rectangular, 150 psi maximum operating pressure, 4 stations, (2) 3/8in female NPT inlet(s), (4) 1/4in female NPT outlet(s), standard hole spacing.	3.88 [98.4]	1	0.23	\$35.00
MRP-5DC	NITRA air or water pneumatic manifold, polypropylene (PP), rectangular, 150 psi maximum operating pressure, 5 stations, (2) 3/8in female NPT inlet(s), (5) 1/4in female NPT outlet(s), standard hole spacing.	4.75 [120.7]	1	0.30	\$36.50
MRP-6DC	NITRA air or water pneumatic manifold, polypropylene (PP), rectangular, 150 psi maximum operating pressure, 6 stations, (2) 3/8in female NPT inlet(s), (6) 1/4in female NPT outlet(s), standard hole spacing.	5.63 [142.9]	1	0.34	\$38.50
MRP-7DC	NITRA air or water pneumatic manifold, polypropylene (PP), rectangular, 150 psi maximum operating pressure, 7 stations, (2) 3/8in female NPT inlet(s), (7) 1/4in female NPT outlet(s), standard hole spacing.	6.50 [165.1]	1	0.41	\$41.50
MRP-8DC	NITRA air or water pneumatic manifold, polypropylene (PP), rectangular, 150 psi maximum operating pressure, 8 stations, (2) 3/8in female NPT inlet(s), (9) 1/4in female NPT outlet(s), standard hole spacing.	7.38 [187.3]	1	0.45	\$44.00
MRP-9DC	NITRA air or water pneumatic manifold, polypropylene (PP), rectangular, 150 psi maximum operating pressure, 9 stations, (2) 3/8in female NPT inlet(s), (9) 1/4in female NPT outlet(s), standard hole spacing.	8.25 [209.6]	1	0.54	\$45.50
MRP-10DC	NITRA air or water pneumatic manifold, polypropylene (PP), rectangular, 150 psi maximum operating pressure, 10 stations, (2) 3/8in female NPT inlet(s), (10) 1/4in female NPT outlet(s), standard hole spacing.	9.13 [231.8]	1	0.59	\$47.00



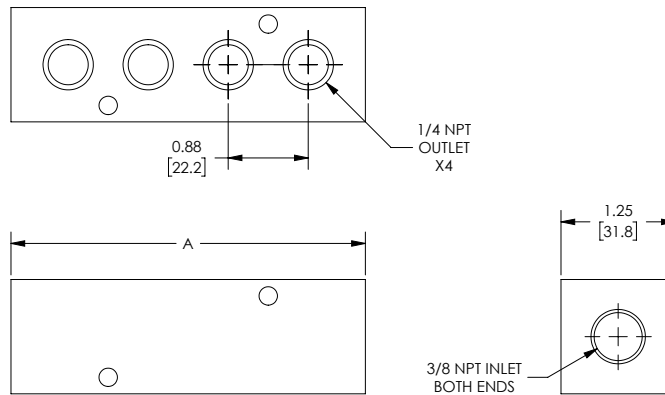
Polypropylene Manifolds

Dimensions

inches [mm]



Part No. MRP-xCB



Part No. MRP-xDC

See our website www.AutomationDirect.com for complete Engineering drawings.