

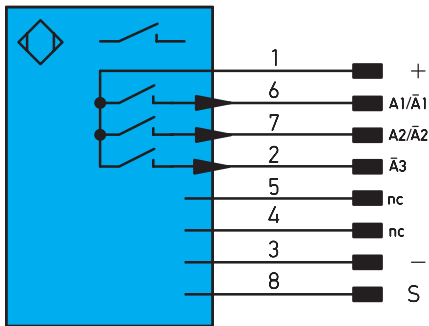
OPT Series Color Sensors



OPT2023 **\$318.00**

- Capable of evaluating up to 3 colors simultaneously
- Single lens optics allows this sensor to have a small spot diameter and large working range
- Reflex mode operation
- 3 switching outputs
- IP68

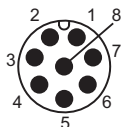
Wiring Diagram



Legend	
+	Supply Voltage +
-	Supply Voltage 0V
A1/Ā1	Switching output 1 (N.O./N.C.)
A2/Ā2	Switching output 2 (N.O./N.C.)
Ā3	Input (analog or digital)/switching output (N.C.)
S	Shielding

Connectors

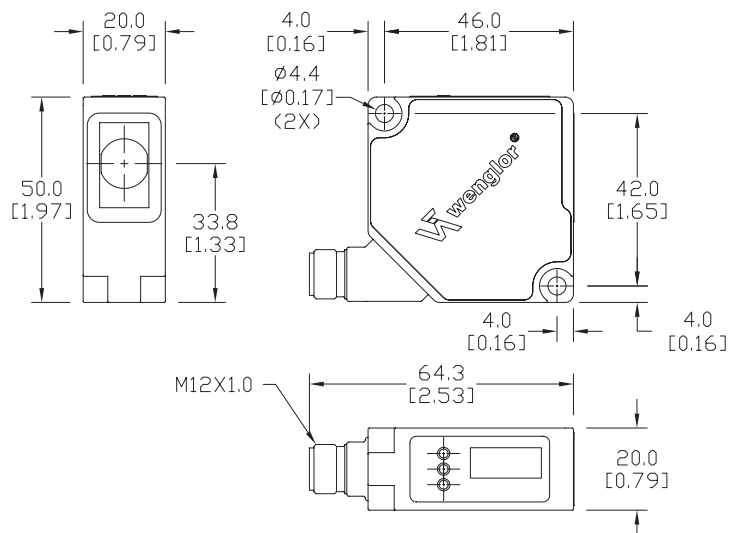
8-Pin M12 connector



OPT2023 Specifications	
Working range	30 to 40 mm
Working distance	35mm
Light source	White light
Service Life (T = +25°C)	100,000h
Max. ambient light	10,000 Lux
Spot diameter	3mm
Operating voltage	10 to 30 VDC
No load supply current	< 80mA
Switching frequency	1.8 kHz
Response time	~ (1000/1.8) μs x filter
Temperature range	-25° to 60°C [-13° to 140°F]
Switching outputs	3 NPN/PNP
Switching output voltage drop	1.5 V
Operating (load) current	100mA
Short circuit protection	yes
Reverse polarity protection	yes
Overload protection	yes
Digital inputs	2
Protection class	III
Setting method	Teach-In
Housing material	Plastic
Degree of protection	IP68
Connection	8-pin M12
Operating mode	Selectable light-on/dark-on
Approvals	CE, RoHS, cULus,

Note: To obtain the most current agency approval information— see the Agency Approval Checklist section on the specific part number's web page.

Dimensions mm [inches]



See our website: www.AutomationDirect.com for complete Engineering drawings.

Accessories for OPT Series 50x50mm Photoelectric Sensors

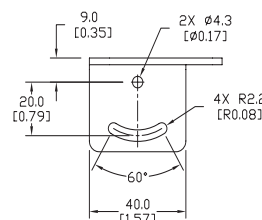
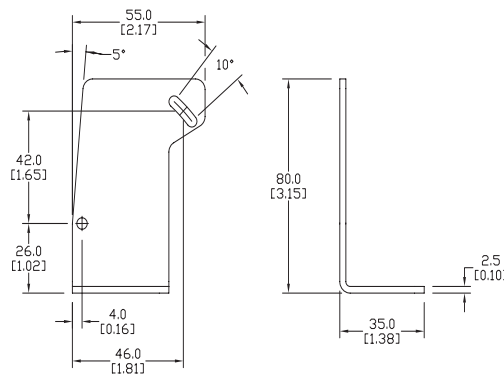
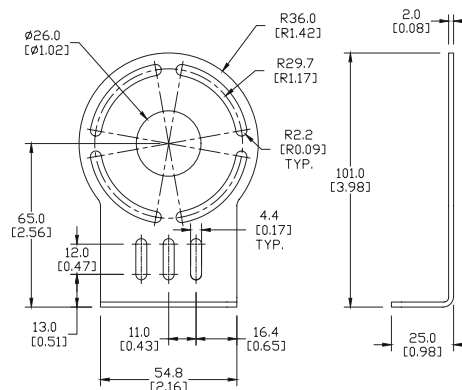
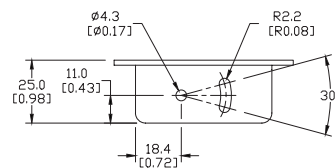
Right-angle Brackets

Mounting bracket, right-angle, nickel-plated steel or 304 stainless steel. For use with OPT series 50x50mm photoelectric sensors.

Accessories for OPT2001 - OPT2011 Sensors			
Part Number	Price	Description	Weight (lb)
OPT2031	\$6.00	Wenglor mounting bracket, right-angle, nickel plated brass. For use with OPT series 50x50mm photoelectric sensors.	0.24
OPT2038	\$9.25	Wenglor mounting bracket, right-angle, vertical and horizontal adjustment, 304 stainless steel. For use with OPT series 50x50mm photoelectric sensors.	0.19

Dimensions

mm [inches]



See our website: www.AutomationDirect.com for complete engineering drawings

Accessories for OPT Series 50x50mm Photoelectric Sensors

Right-angle Swivel Mounting Systems

Mounting bracket, right-angle swivel, 360 degree vertical and horizontal adjustment, 12mm rod mount. For use with OPT series 50x50mm photoelectric sensors. Available in all stainless steel or with an aluminum head with a stainless steel mounting plate.



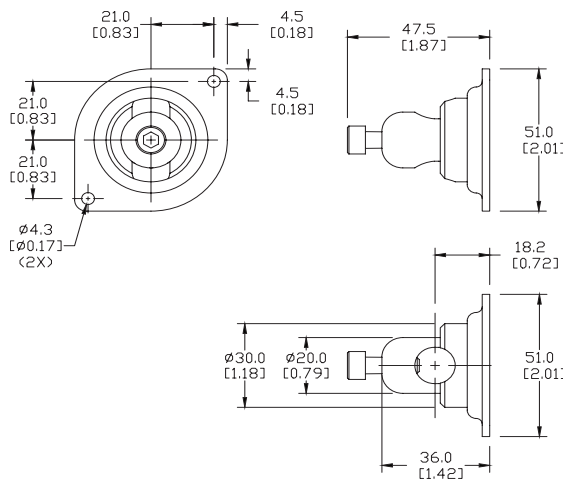
OPT2122, OPT2123

Accessories for OPT2001 - OPT2011 Sensors					
Part Number	Price	Description	Mounting Head	Mounting Plate	Weight [lb]
OPT2122	\$9.75	Wenglor mounting bracket, right-angle swivel, 360 degree vertical and horizontal adjustment, aluminum, 12mm rod mount. For use with OPT series 50x50mm photoelectric sensors.	Aluminum	304 Stainless Steel	0.19
OPT2123	\$17.50	Wenglor mounting bracket, right-angle swivel, 360 degree vertical and horizontal adjustment, 304 stainless steel, 12mm rod mount. For use with OPT series 50x50mm photoelectric sensors.	304 Stainless Steel	304 Stainless Steel	0.31

Note: 304 Stainless steel mounting rods sold separately: OPT2109 (200mm length), OPT2110 (300mm length), and OPT2111 (500mm length).

Dimensions

mm [inches]



See our website: www.AutomationDirect.com for complete engineering drawings

Mounting Rods

Mounting Rods

304 Stainless steel rods for mounting swivel brackets OPT2112 - OPT2127. Available in three lengths: 200mm, 300mm, and 500mm. 12mm diameter.

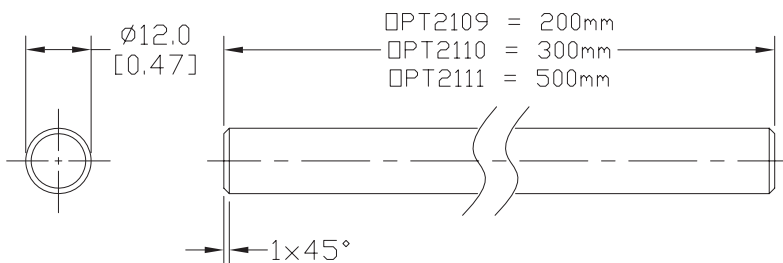
Mounting Rods for OPT2112-2127 Swivel Mounting Brackets			
Part Number	Price	Description	Weight lb (g)
OPT2109	\$11.00	Wenglor mounting rod, 12mm diameter, 200mm length, 304 stainless steel.	0.41 (185.97)
OPT2110	\$13.50	Wenglor mounting rod, 12mm diameter, 300mm length, 304 stainless steel.	0.60 (272.16)
OPT2111	\$17.50	Wenglor mounting rod, 12mm diameter, 500mm length, 304 stainless steel.	0.98 (444.52)



OPT2109, OPT2110, OPT2111

Dimensions

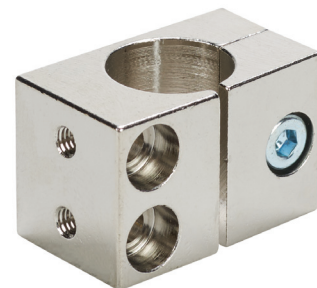
mm [inches]



Right-angle Mounting Bracket

Mounting bracket, right-angle, nickel-plated brass. For use with 12mm mounting rods OPT2109, OPT2110 & OPT2111.

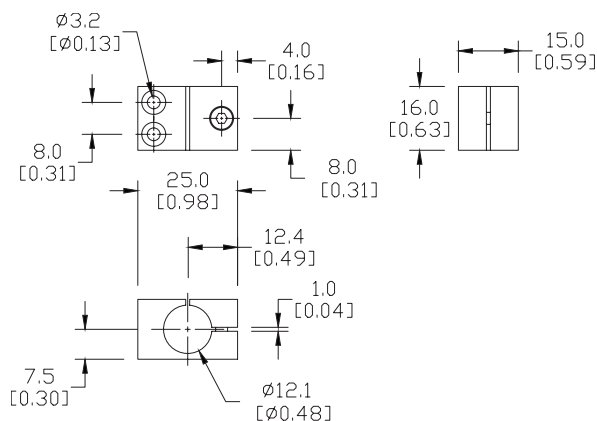
Accessories for 12mm Sensors			
Part Number	Price	Description	Weight lb (g)
OPT2108	\$13.50	Wenglor mounting bracket, right-angle, nickel plated brass. For use with 12mm mounting rods OPT2109, OPT2110 & OPT2111.	0.07 (31.8)



OPT2108

Dimensions

mm [inches]



See our website: www.AutomationDirect.com
for complete engineering drawings