

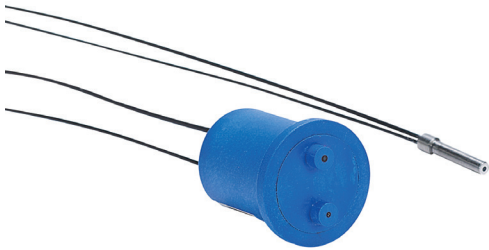
# OPT Series Color Sensors Cable

## Plastic Fiber Optic Cable

### OPT2075 Diffuse Reflex Mode

**\$46.50**

- Compatible with the OPT2022 6-channel sensor
- Designed for installation in tight spaces
- IP68

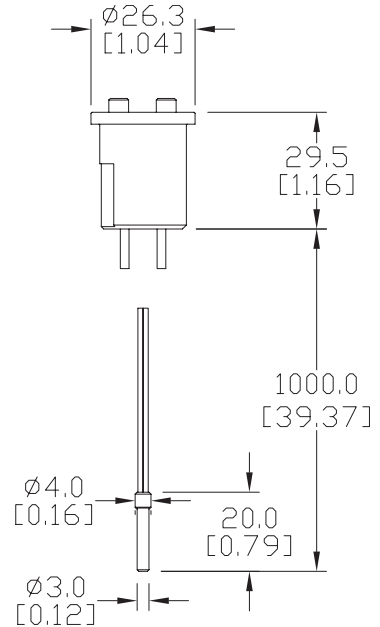


#### OPT2075 Specifications

OPT2075 Specifications	
<b>Optical Fiber Core Ø</b>	0.5 mm
<b>Sensing Distance with OPT series</b>	10mm
<b>Fiber Length (L)</b>	1m
<b>Fiber Bending Radius</b>	15mm
<b>Spot Diameter</b>	0.5 to 2 mm
<b>Temperature Range</b>	-40 to 85°C [-40 to 185°F]
<b>Fiber Materials</b>	PMMA
<b>Sleeve Materials</b>	PE (black)
<b>Head Materials</b>	Stainless steel
<b>Jacket Diameter</b>	1.3 mm
<b>Fiber Distribution</b>	Coaxial arrangement
<b>Opening Angle</b>	55°
<b>Light Emission</b>	Straight

### Dimensions

mm [inch]



# OPT Series Color Sensors Cable

## Glass Fiber Optic Cable

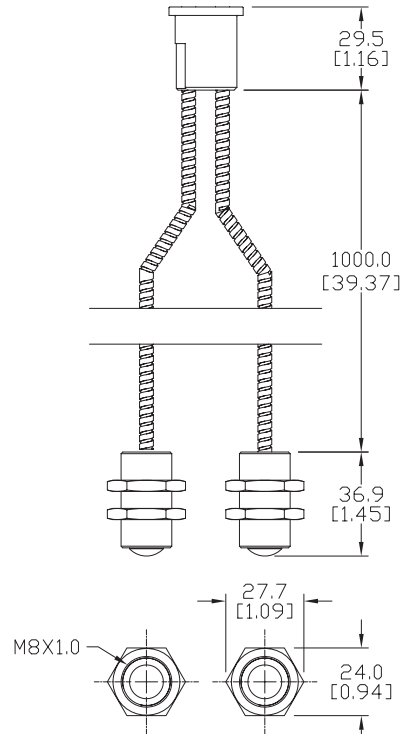
### OPT2087 Through-Beam Mode

**\$119.00**



### Dimensions

mm [inch]



OPT2087 Specifications	
<b>Optical Fiber Core Ø</b>	3mm
<b>Sensing Distance with OPT series</b>	600mm
<b>Fiber Length (L)</b>	1m
<b>Fiber Bending Radius</b>	50mm
<b>Free Cut</b>	No
<b>Head Size</b>	M18
<b>Temperature Range</b>	0 to 60°C [32 to 140°F]
<b>Fiber Materials</b>	Glass
<b>Sleeve Materials</b>	Brass (CuZn) nickel-plated
<b>Head Materials</b>	Anodized aluminum
<b>Fiber Diameter</b>	3mm
<b>Fiber Distribution</b>	Statistical mixture
<b>Opening Angle</b>	30°

See our website: [www.AutomationDirect.com](http://www.AutomationDirect.com) for complete Engineering drawings.

# OPT Series Color Sensors Cable

## Glass Fiber Optic Cable

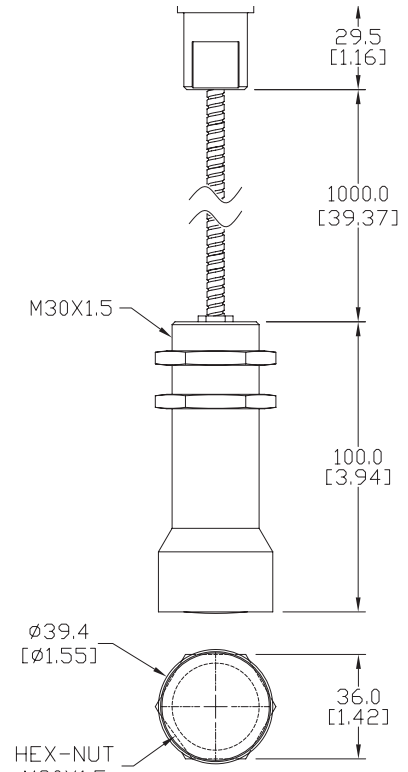
### OPT2088 Diffuse (Reflex) Mode \$127.00

OPT2088 Specifications	
<b>Optical Fiber Core Ø</b>	3mm
<b>Sensing Distance with OPT series</b>	100mm
<b>Fiber Length (L)</b>	1m
<b>Fiber Bending Radius</b>	50mm
<b>Free Cut</b>	No
<b>Head Size</b>	M30
<b>Temperature Range</b>	0 to 60°C [32 to 140°F]
<b>Fiber Materials</b>	Glass
<b>Sleeve Materials</b>	Brass (CuZn) nickel-plated
<b>Head Materials</b>	Anodized aluminum
<b>Fiber Diameter</b>	3mm
<b>Fiber Distribution</b>	Statistical mixture



### Dimensions

mm [inch]



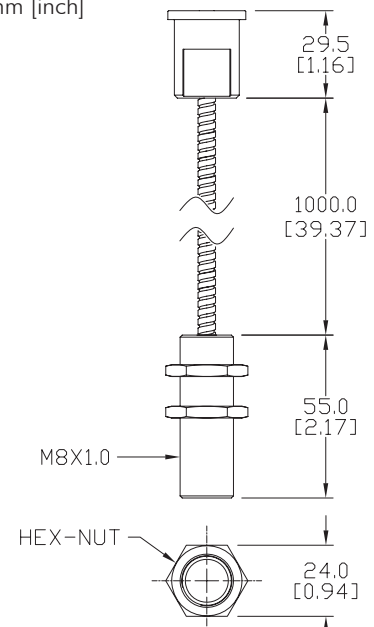
### OPT2089 Diffuse (Reflex) Mode \$114.00

OPT2089 Specifications	
<b>Optical Fiber Core Ø</b>	1.6 mm
<b>Sensing Distance with OPT series</b>	18mm
<b>Fiber Length (L)</b>	1m
<b>Fiber Bending Radius</b>	50mm
<b>Free Cut</b>	No
<b>Head Size</b>	M18
<b>Temperature Range</b>	0 to 60°C [32 to 140°F]
<b>Fiber Materials</b>	Glass
<b>Sleeve Materials</b>	Brass (CuZn) nickel-plated
<b>Head Materials</b>	Anodized aluminum
<b>Fiber Diameter</b>	1.6 mm
<b>Fiber Distribution</b>	Statistical mixture



### Dimensions

mm [inch]



See our website: [www.AutomationDirect.com](http://www.AutomationDirect.com) for complete Engineering drawings.