

P1AM Kit

P1AM-PROTO \$32.00

The P1AM-PROTO is an Arduino-compatible kit of parts that includes everything you need to make your own customized shield in the MKR form factor.

Arduino Housing Kit

This kit includes:

- Custom MKR stacking-headers
- PC Board with 100mm (0.1 in.) grid of through-holes
- Plastic Productivity housing
- Footprint for 18-pin terminal block receptacle (Right Angle, Through Hole, 3.81 mm pitch) and plug for user I/O connections
- ProductivityOpen Overlay which can be easily cut to expose parts (LEDs, connectors, etc.) custom to the user.

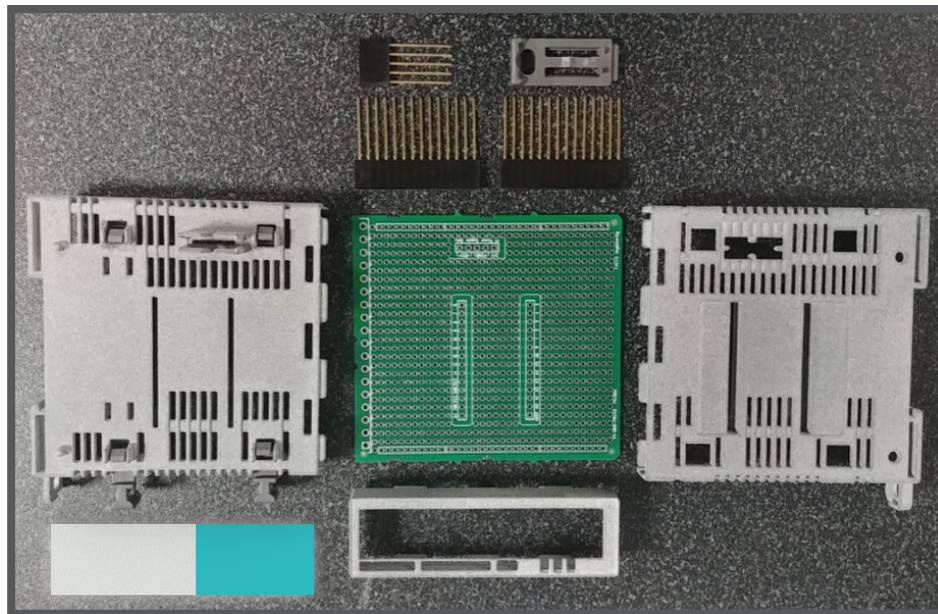
General Specifications	
Operating Temperature	0° to 60°C (32° to 140°F)
Storage Temperature	-20° to 70°C (-4° to 158°F)
Humidity	5 to 95% (non-condensing)
Environmental Air	No corrosive gases permitted
Enclosure Type	Open Equipment
Module Location	Connects to the left side of the P1AM-100 CPU.



P1AM-PROTO



P1AM-PROTO
(with overlay applied)



VIEW OF DISASSEMBLED P1AM-PROTO

Productivity[®]Open Overview

ProductivityOpen leverages the modern processing power of Arduino and the proven industrial value of the Productivity1000 input and output modules. Make use of the wide variety of Arduino MKR form factor shields.

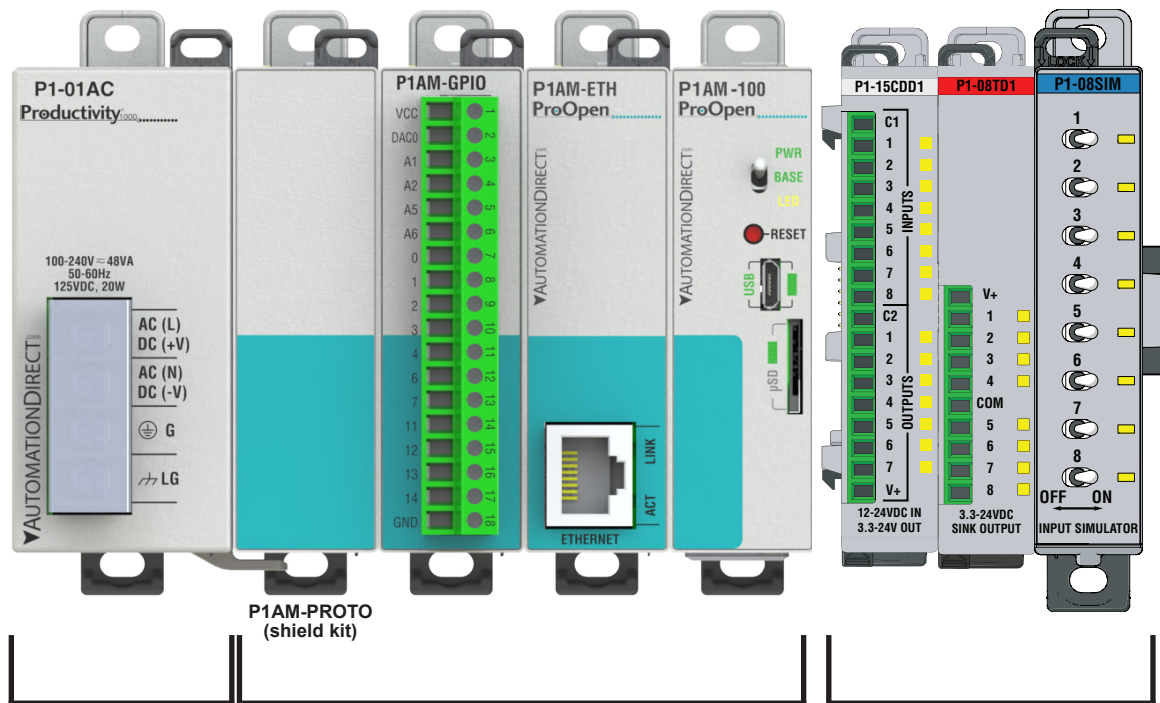
The P1AM-100 module is programmed with the Arduino IDE or ProductivityBlocks, an optional proprietary block programming environment.

Features

- Supports Productivity1000 inputs and outputs modules
- Supports Arduino MKR form factor shields
- UL listed CPU
- UL listed ProductivityOpen branded shields



Productivity [®] Open Modules		
Part Number	Price	Description
P1AM-100	\$49.00	Arduino compatible CPU
P1AM-ETH	\$39.00	Ethernet shield
P1AM-GPIO	\$44.00	Extended I/O shield
P1AM-PROTO	\$32.00	Custom housing kit
P1AM-START1	\$229.00	Maker community start kit
P1AM-START2	\$159.00	Industrial community start kit



Productivity1000 Power Supply

The power of Arduino in ProductivityOpen.

Productivity1000 Input and Output Modules

Productivity[®] Open Overview

Productivity1000 I/O Modules

A variety of discrete and analog I/O modules from our Productivity1000 line are available for use with the P1AM-100.

Productivity1000 Modules			
Part Number	Number of Inputs	Description	
Input Modules			
P1-08SIM	8	Input Simulator Module	
P1-08ND3	8	Sinking/Sourcing 12–24 VDC Input	
P1-16ND3	16	Sinking/Sourcing 12–24 VDC Input	
P1-08NE3	8	Sinking/Sourcing 24V AC/DC	
P1-16NE3	16	Sinking/Sourcing 24V AC/DC	
P1-08NA	8	AC Isolated 100–240 VAC	
Output Modules			
	Number of Outputs		
P1-08TD1	8	Sinking DC Output	
P1-08TD2	8	Sourcing DC Output	
P1-15TD1	15	Sinking DC Output	
P1-15TD2	15	Sourcing DC Output	
P1-08TA	8	AC Output	
P1-08TRS	8	Isolated Relay Output	
P1-16TR	16	Relay Output	
Input/Output Modules			
	Inputs	Outputs	
P1-15CDD1	8	7	Input: Sinking/Sourcing; Output: Sinking
P1-15CDD2	8	7	Input: Sinking/Sourcing; Output: Sourcing
P1-16CDR	8	8	Input: Sinking/Sourcing; Output: Relay

Productivity1000 Modules			
Part Number	Number of Inputs	Description	
Input Modules			
P1-04AD	4	Analog Input (Current)	
P1-04ADL-1	4	Analog Input (Current)	
P1-04ADL-2	4	Analog Input (Voltage)	
P1-08ADL-1	8	Analog Input (Current)	
P1-08ADL-2	8	Analog Input (Voltage)	
P1-04RTD	4	RTD Input	
P1-04THM	4	Analog Thermocouple Input	
P1-04NTC	4	Analog Thermistor Input	
Output Modules			
	Number of Outputs		
P1-04DAL-1	4	Analog Output (Current)	
P1-04DAL-2	4	Analog Output (Voltage)	
P1-08DAL-1	8	Analog Output (Current)	
P1-08DAL-2	8	Analog Output (Voltage)	
Input/Output Modules			
	Inputs	Outputs	
P1-4ADL2DAL-1	4	2	Analog Input/Analog Output (Current)
P1-4ADL2DAL-2	4	2	Analog Input/Analog Output (Voltage)

