

# ProSense® Differential Pressure Gauges



Part No. DGA-30

## Features

- Industrial grade black die-cast aluminum case
- High temperature tolerance
- Resistance-free movement
- 2% full scale accuracy
- Re-zero adjustment
- Mounting and connection hardware included. Other mounting accessories available.
- 5-year warranty

## Applications

- Air and compatible non-combustible gasses
- Indicates positive, negative or differential pressure:
  - Filter status
  - Duct static pressure
  - Clean rooms
  - Paint booths
  - Fans or blowers
  - Dust collectors
  - Cabinet purging

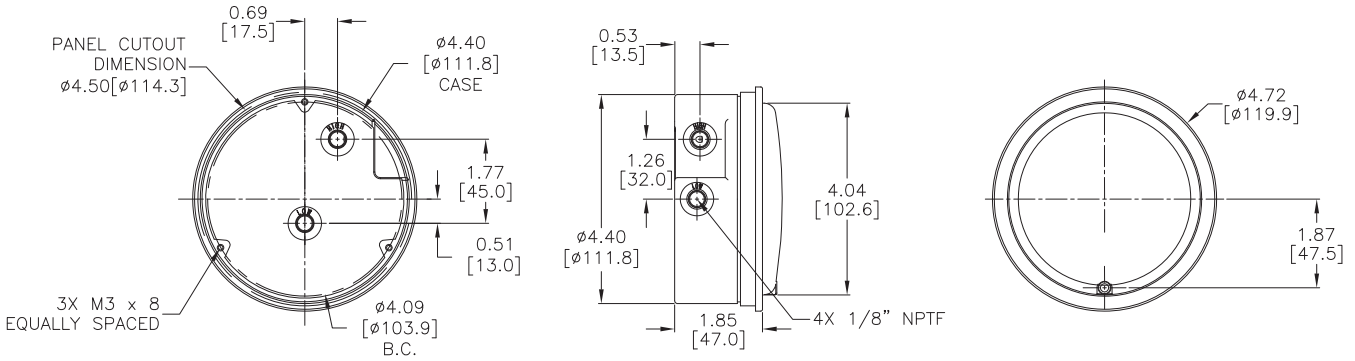


ProSense Differential Pressure Gauges				
Part Number	Description	Pcs/Pkg	Wt(lb)	Price
DGA-01	ProSense differential pressure gauge, 0 to 1" water column range	1	1.43	\$48.00
DGA-02	ProSense differential pressure gauge, 0 to 2" water column range	1	1.43	\$48.00
DGA-03	ProSense differential pressure gauge, 0 to 3" water column range	1	1.43	\$48.00
DGA-04	ProSense differential pressure gauge, 0 to 4" water column range	1	1.43	\$48.00
DGA-05	ProSense differential pressure gauge, 0 to 5" water column range	1	1.43	\$48.00
DGA-10	ProSense differential pressure gauge, 0 to 10" water column range	1	1.43	\$48.00
DGA-15	ProSense differential pressure gauge, 0 to 15" water column range	1	1.43	\$48.00
DGA-20	ProSense differential pressure gauge, 0 to 20" water column range	1	1.43	\$48.00
DGA-25	ProSense differential pressure gauge, 0 to 25" water column range	1	1.43	\$48.00
DGA-30	ProSense differential pressure gauge, 0 to 30" water column range	1	1.43	\$48.00
DGA-40	ProSense differential pressure gauge, 0 to 40" water column range	1	1.43	\$48.00
DGA-50	ProSense differential pressure gauge, 0 to 50" water column range	1	1.43	\$48.00
DGA-100	ProSense differential pressure gauge, 0 to 100" water column range	1	1.43	\$48.00
DGA-150	ProSense differential pressure gauge, 0 to 150" water column range	1	1.43	\$48.00
DGA-01B	ProSense differential pressure gauge, -1 to 1" water column range	1	1.43	\$48.00
DGA-02B	ProSense differential pressure gauge, -2 to 2" water column range	1	1.43	\$48.00
DGA-05B	ProSense differential pressure gauge, -5 to 5" water column range	1	1.43	\$48.00
DGA-10B	ProSense differential pressure gauge, -10 to 10" water column range	1	1.43	\$48.00
DGA-15B	ProSense differential pressure gauge, -15 to 15" water column range	1	1.43	\$48.00

ProSense Differential Pressure Gauges Specifications	
Dial Size	4" (100mm), white aluminum with black markings
Case	Die-cast black aluminum
Lens	Polycarbonate
Ring	Threaded die-cast black aluminum
Connection	(2) high and (2) low pressure ports, 1/8" female NPT, located on side and back
Wetted Parts	Aluminum, silicone rubber
Mounting	Vertical position, flush or surface mount with included hardware
Movement	Resistance-free and magnetic
Pointer	Aluminum, anodized black
Media	Air and compatible non-combustible gases
Over Pressure Limit	14.5 psi / 100 kPa / 400 inH <sub>2</sub> O maximum
Ambient Temperature	-40°F to 140°F (-40°C to 60°C)
Process Temperature	14°F to 140°F (-10°C to 60°C)
Accuracy	±2% of full scale
IP Rating	Unit IP67 - Enclosure rating dependent on installation method

# prosense® Differential Pressure Gauges

## Dimensions inches [mm]



### Panel Mounting

Cut a circular opening in the panel to allow a close fit of 4.41" (112mm) gauge case diameter. Refer to above drawing.

- Gauges include:
  - (3) angled mounting brackets with short and long screws
  - (2) brass hose barb connectors with 1/8" NPT threads\*
  - (2) 1/8" NPT threaded plugs

\*Note: Plastic tubing with a minimum inside diameter of 0.170 inches and less than 0.275 inches can be used with the brass hose barb connectors.

See our website [www.AutomationDirect.com](http://www.AutomationDirect.com) for complete Engineering drawings.

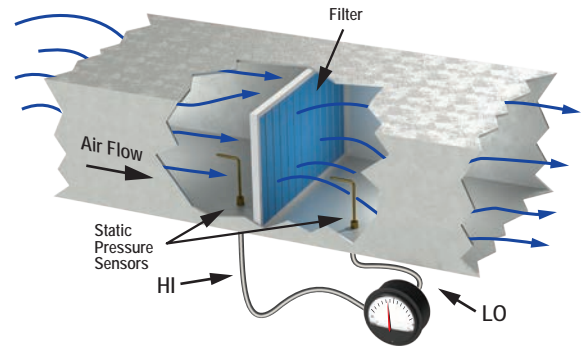


DGA shown with included brackets, screws, fittings and plugs

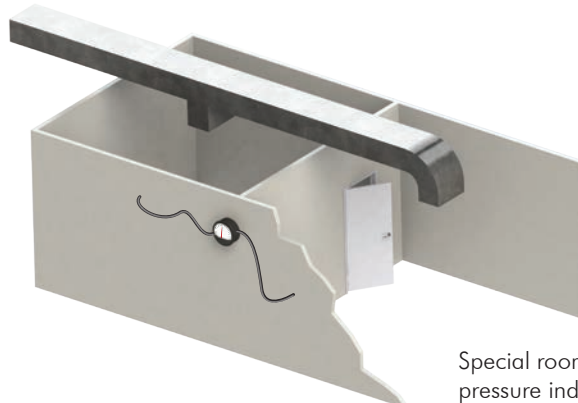
## Application Examples



Air/gas flow as a function of blower static pressure



Filter condition monitoring

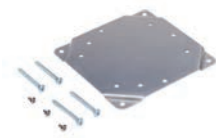


Special room positive or negative pressure indication

# pro<sup>sense</sup> Differential Pressure Gauges Accessories

## Applications

- DGA-T Static Pressure Tip:**  
 Use the DGA-T to sense static pressure in ducts, across filters, coils, fans, etc. The angled tip is brass, has a 4" insertion depth and four radial 0.04" sensing holes. The tip also has a compression fitting for use with 1/4" OD metal or plastic tubing.
- DGA-B Surface Mount Bracket:**  
 Mount the DGA gauge to the pre-drilled holes in the metal DGA-B mounting bracket and then mount the bracket to any vertical flat surface.
- DGA-R Panel Mount Flange:**  
 Secure the plastic flange to the DGA gauge with the three set screws in the flange. The DGA can now be mounted to a panel using the three mounting holes in the flange and the included mounting screws.



Part No. DGA-B



Part No. DGA-R



Part No. DGA-T



Part DGA-B shown with DGA Differential Pressure Gauge

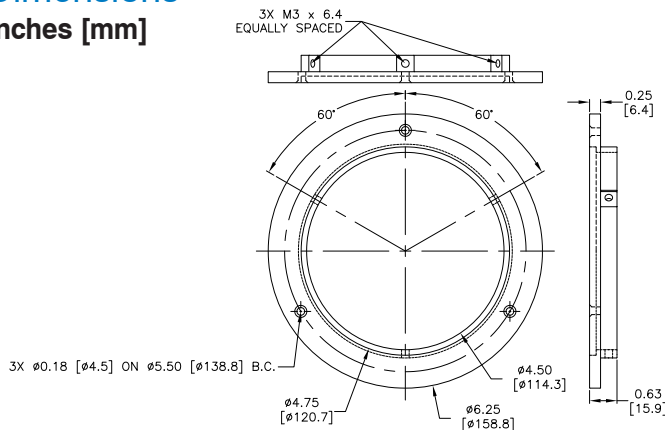


Part DGA-R shown with DGA Differential Pressure Gauge

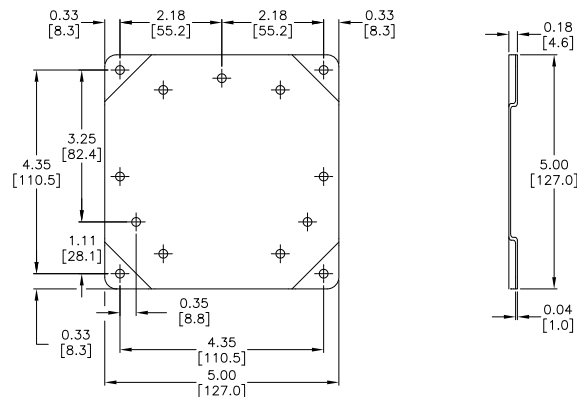
ProSense Differential Pressure Gauges Accessories				
Part Number	Description	Pcs/Pkg	Wt(lb)	Price
DGA-T	ProSense static pressure tip with compression fitting, brass, for use with DGA series differential pressure gauges or DPTA series differential pressure transmitters.	1	0.07	\$11.00
DGA-B	ProSense surface mount bracket, aluminum, for use with DGA series differential pressure gauges. Hardware included.	1	0.1	\$7.50
DGA-R	ProSense panel mount flange, ABS plastic, for use with DGA series differential pressure gauges. Hardware included.	1	0.15	\$7.50

## Dimensions

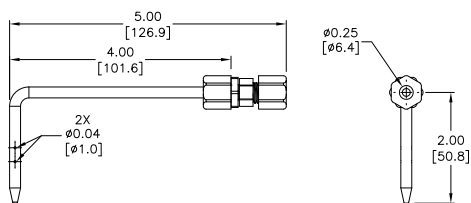
inches [mm]



Part No. DGA-R



Part No. DGA-B



Part No. DGA-T

See our website [www.AutomationDirect.com](http://www.AutomationDirect.com) for complete Engineering drawings.