

CT Series Capacitive Proximity Sensors

M30 (30mm) plastic – AC/DC



Plastic Housings:

- Push button teach
- NO/NC selectable
- IP65/IP67 rated
- LED status indicators
- 1/2 inch Micro AC quick-disconnect; purchase cable separately
- Mounting accessories available



CT Series Capacitive Prox Selection Chart

Part Number	Price	Sensing Distance	Mounting	Output State	Logic	Connection	Wiring	Dimensions
AC								
CTV-00-2M	\$95.00	40mm (1.58 in)	Non-flush	N.O./N.C.	-	1/2 inch micro AC quick-disconnect	Diagram 1	Figure 1

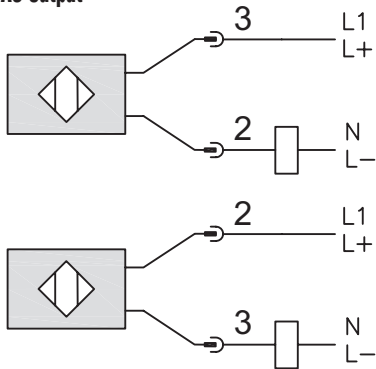
CT Series Specifications	CTV-00-2M
Mounting Type	Non-flush
Nominal Sensing Distance	40mm (1.58 in)
Sensitivity	Push to teach
Operating Distance	NA
Material Correction Factors	
Output Type	AC/DC; N.O./N.C.
Operating Voltage	20 to 250VDC; 30 to 250VAC
No-load Supply Current	NA
Operating (Load) Current	150mA (40°C)/100mA (80°C) continuous; 1.0 A (20ms/ 0.5 Hz) peak
Off-state (Leakage) Current	< 2.5mA (250VAC) < 1.7mA (110VAC) < 1.5mA (24VDC)
Voltage Drop	< 8VDC/ <10VAC
Switching Frequency	10Hz
Differential Travel (% of Nominal Distance)	
Repeat Accuracy	
Ripple	NA
Time Delay Before Availability (tv)	
Reverse Polarity Protection	Yes
Short-circuit Protection	No
Operating Temperature	-25° to 80°C (-13° to 176°F); Sensing face: -25° to 110°C (-13° to 230°F)
Protection Degree (DIN 40050)	IEC IP65/IP67
Indication/Switch Status	Yellow (output energized)
Housing Material	Polybutylene Terephthalate (PBT)
Sensing Face Material	Polybutylene Terephthalate (PBT)
Shock/Vibration	DIN EN 60947-5-2
Tightening Torque	8.0 N•m (5.9 lb•ft)
Weight	122g (4.30 oz)
Connectors	0.5 in (12.7 mm) micro AC connector, 2 lock nuts included
Agency Approvals	cULus file E328811, CE, RoHS

CT Series Capacitive Proximity Sensors

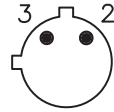
Wiring Diagram

Diagram 1

AC Output



Connector

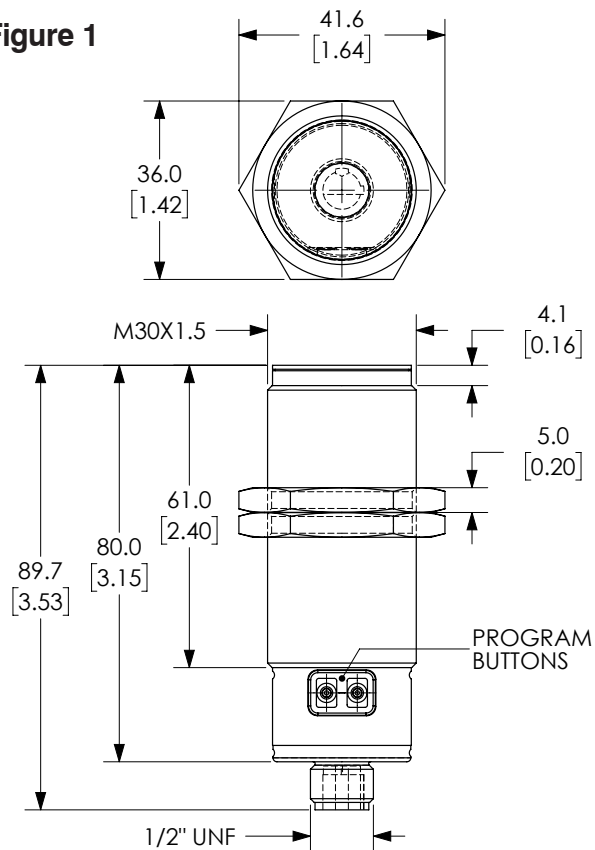


1/2" micro AC

Dimensions

mm [inches]

Figure 1



See our website: www.AutomationDirect.com for complete engineering drawings

Capacitive Proximity Sensors - Accessories



Mounting Well

Mounting Adapter

Capacitive Proximity Sensors Accessory Chart				
Part Number	Price	Description	Material	Dimensions
Mounting Adapter				
CR1-ADPTR	\$4.00	Adapter for CR1 series capacitive sensors	Housing: Polybutylene Terephthalate (PBT) Included Screws: M3 x 6 Steel (0.5 N•m [0.37 lb•ft])	Figure 1
Mounting Wells				
MWT-01	\$46.50	30mm (1.18 in) sensor mounting well	PTFE - Polytetrafluoroethylene (Teflon®) Temp: -25° to 246°C (-13° to 474.8°F) Max. pressure: 100 PSI (6.9 bar)	Figure 2
MWK-01	\$38.00	18mm (0.71 in) sensor mounting well		Figure 3

Dimensions

mm [inches]

Figure 1

CR1 Adapter

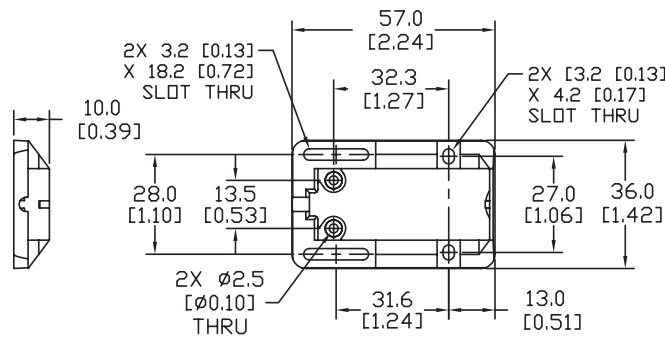


Figure 2

30mm Sensor Mounting Well

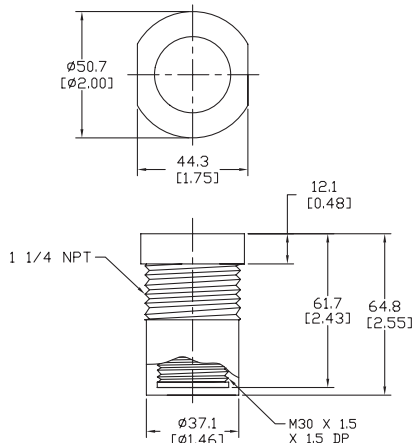
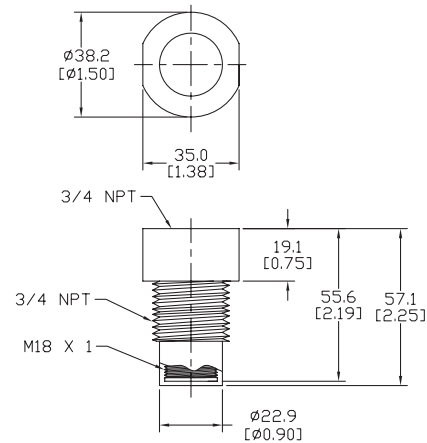


Figure 3

18mm Sensor Mounting Well



See our website: www.AutomationDirect.com for complete engineering drawings

Accessories for 30mm Sensors

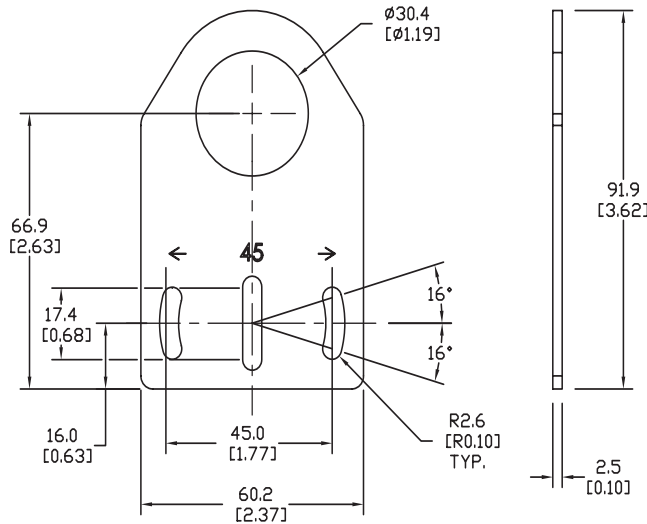
Axial Mounting Bracket

Mounting bracket, axial, zinc-plated steel. For use with 30mm sensors. Has two mounting holes (use 5mm screws) and allows the rotation of an optical axis for right-beam-angle-adapter sensors. Hexagonal nuts not included.

Accessories for 30mm Sensors			
Part Number	Price	Description	Weight lb (g)
ST30A	\$2.25	Mounting bracket, axial, zinc plated steel. For use with 30mm sensors.	0.18 (81.7 g)

Dimensions

mm [inches]



ST30A

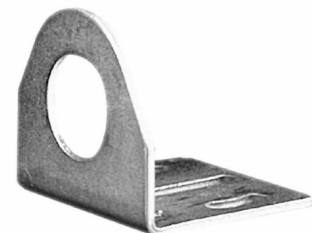
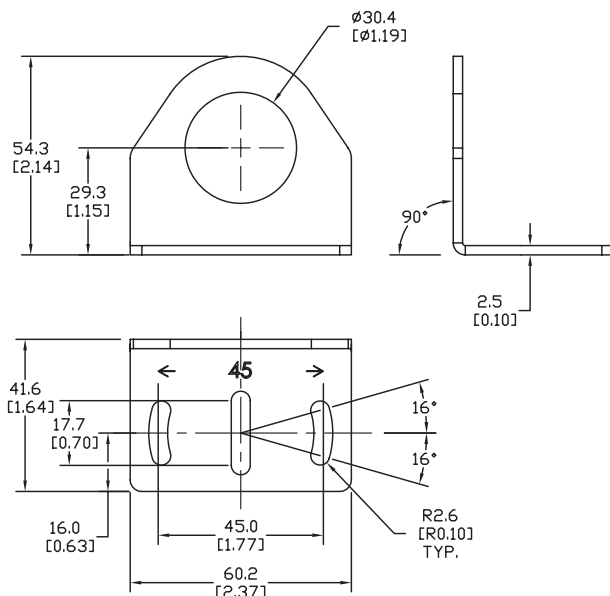
Right-angle Mounting Bracket

Mounting bracket, right-angle, zinc-plated steel. For use with 30mm sensors. Has two mounting holes (use 5mm screws) and allows the rotation of an optical axis for axial sensors. Hexagonal nuts not included.

Accessories for 30mm Sensors			
Part Number	Price	Description	Weight lb (g)
ST30C	\$2.25	Mounting bracket, right-angle, zinc plated steel. For use with 30mm sensors.	0.18 (81.7 g)

Dimensions

mm [inches]



ST30C

See our website: www.AutomationDirect.com
for complete engineering drawings

Accessories for 30mm Sensors

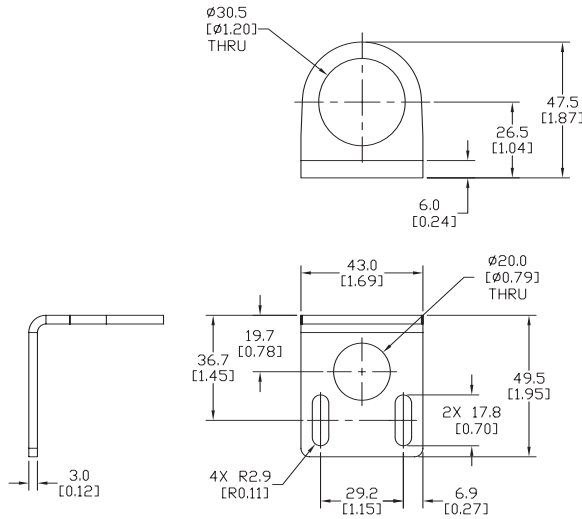
Right-angle Mounting Bracket

Mounting bracket, right-angle, 304 stainless steel. For use with 30mm sensors.

Accessories for FW Series Sensors			
Part Number	Price	Description	Weight lb (g)
ST30C6W	\$3.50	Mounting bracket, right-angle, 304 stainless steel. For use with 30mm sensors.	0.15 (68.0)

Dimensions

mm [inches]



ST30C6W

Right-angle Swivel Mounting Systems

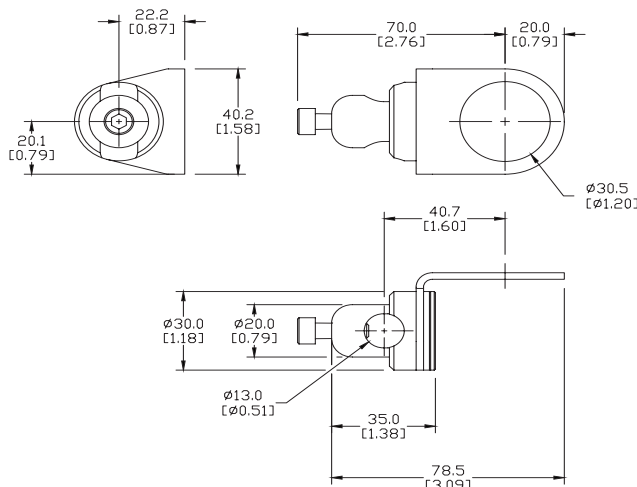
Mounting bracket, right-angle swivel, 360 degree vertical and horizontal adjustment, 12mm rod mount. For use with 30mm sensors. Available in all 304 stainless steel or with an aluminum head with a 304 stainless steel mounting plate.

Accessories for 30mm Sensors					
Part Number	Price	Description	Mounting Head	Mounting Plate	Weight lb (g)
OPT2118	\$9.75	Wenglor mounting bracket, right-angle swivel, 360 degree vertical and horizontal adjustment, aluminum, 12mm rod mount. For use with 30mm sensors.	Aluminum	304 Stainless steel	0.18
OPT2119	\$17.50	Wenglor mounting bracket, right-angle swivel, 360 degree vertical and horizontal adjustment, 304 stainless steel, 12mm rod mount. For use with 30mm sensors.	304 Stainless Steel	304 Stainless steel	0.30

Note: 304 Stainless steel mounting rods sold separately: OPT2109 (200mm [7.87 in] length), OPT2110 (300mm [11.81 in] length), and OPT2111 (500mm [19.69 in] length).

Dimensions

mm [inches]



OPT2118, OPT2119

See our website: www.AutomationDirect.com for complete engineering drawings

Mounting Rods

Mounting Rods

304 Stainless steel rods for mounting swivel brackets OPT2112 - OPT2127. Available in three lengths: 200mm, 300mm, and 500mm. 12mm diameter.

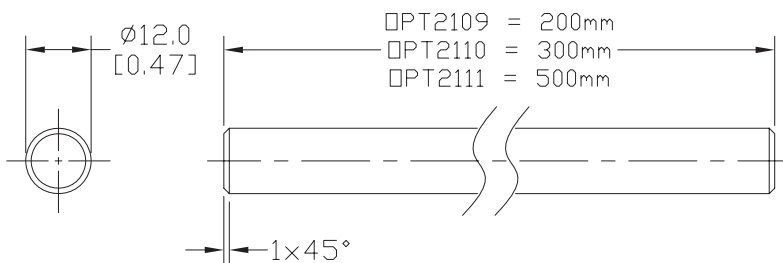
Mounting Rods for OPT2112-2127 Swivel Mounting Brackets			
Part Number	Price	Description	Weight lb (g)
OPT2109	\$11.00	Wenglor mounting rod, 12mm diameter, 200mm length, 304 stainless steel.	0.41 (185.97)
OPT2110	\$13.50	Wenglor mounting rod, 12mm diameter, 300mm length, 304 stainless steel.	0.60 (272.16)
OPT2111	\$17.50	Wenglor mounting rod, 12mm diameter, 500mm length, 304 stainless steel.	0.98 (444.52)



OPT2109, OPT2110, OPT2111

Dimensions

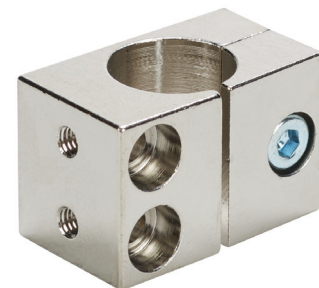
mm [inches]



Right-angle Mounting Bracket

Mounting bracket, right-angle, nickel-plated brass. For use with 12mm mounting rods OPT2109, OPT2110 & OPT2111.

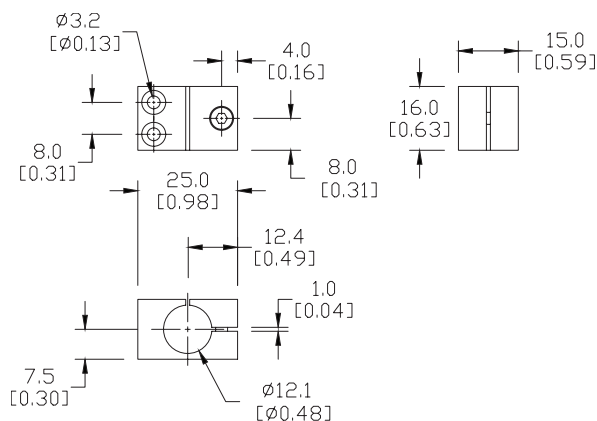
Accessories for 12mm Sensors			
Part Number	Price	Description	Weight lb (g)
OPT2108	\$13.50	Wenglor mounting bracket, right-angle, nickel plated brass. For use with 12mm mounting rods OPT2109, OPT2110 & OPT2111.	0.07 (31.8)



OPT2108

Dimensions

mm [inches]



See our website: www.AutomationDirect.com
for complete engineering drawings