

Proximity Sensor Damping Magnets



Magnet

- Damping magnet for use with magnet series sensors
- Barium ferrite and Samarium

Damping Magnet		
Part Number	Price	Dimensions
AW-MAG	\$38.50	Figure 1
AW-MAG-3	\$35.00	Figure 2
MAG-1	\$4.00	Figure 3
MAG-3	\$4.00	Figure 4
MAG-4	\$4.00	Figure 5
MAG-5	\$6.75	Figure 6

AW-MAG Damping Magnet Specifications						
	AW-MAG	AW-MAG-3	MAG-1	MAG-3	MAG-4	MAG-5
Ambient Temperature	-13 to 266°F (-25 to 130°C)	-13 to 266°F (-25 to 130°C)	-58 to 392°F (-50 to 200°C)		-13 to 392°F (-25 to 200°C)	
Housing Materials	Barium ferrite, samarium	Barium Ferrite	Samarium Cobalt		Barium Ferrite	
Coating	Stainless steel (1.4571/316Ti)		-	-	-	-
Magnetic Field Strength	48 mT	45 mT	136 mT	95 mT	103 mT	115 mT
Weight	82g (2.89 oz)	22g (0.78 oz)	4g (0.14 oz)	11g (0.39 oz)	35g (1.23 oz)	56g (1.98 oz)

Dimensions

mm [inches]

Figure 1

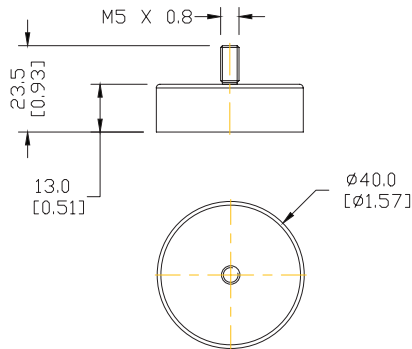


Figure 2

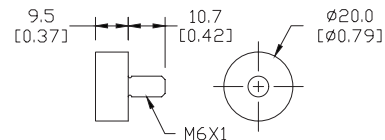


Figure 3

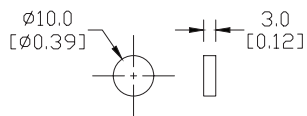


Figure 4

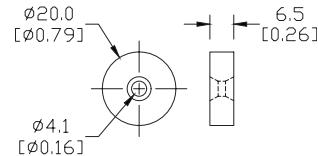


Figure 5

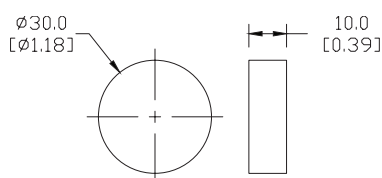
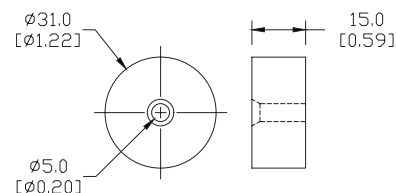


Figure 6



SEE OUR WEBSITE: WWW.AUTOMATIONDIRECT.COM FOR COMPLETE ENGINEERING DRAWINGS.