

RSCG Series NEMA 3R Wiring Trough



Applications

These enclosures are designed to protect wiring against rain, sleet and snow in outdoor installations, or indoors against dripping water.

Construction

- Trough and cover fabricated from 16 gauge carbon steel
- Drip shield top and smooth seamless sides, front and back, prevent rain, snow and sleet from entering the enclosure
- Embossed mounting holes are conveniently located on the back
- A slip-on removable cover is securely fastened with screws located along the bottom edge
- Knockouts are provided on bottom of enclosure

Finish

- ANSI-61 gray polyester powder inside and out over phosphatized surfaces

Listings

- UL 870
- UL File E32576
- CSA File LL66078
- Meets NEMA/EEMAC Types, 1 & 3R requirements



Enclosure Shipping Schedule

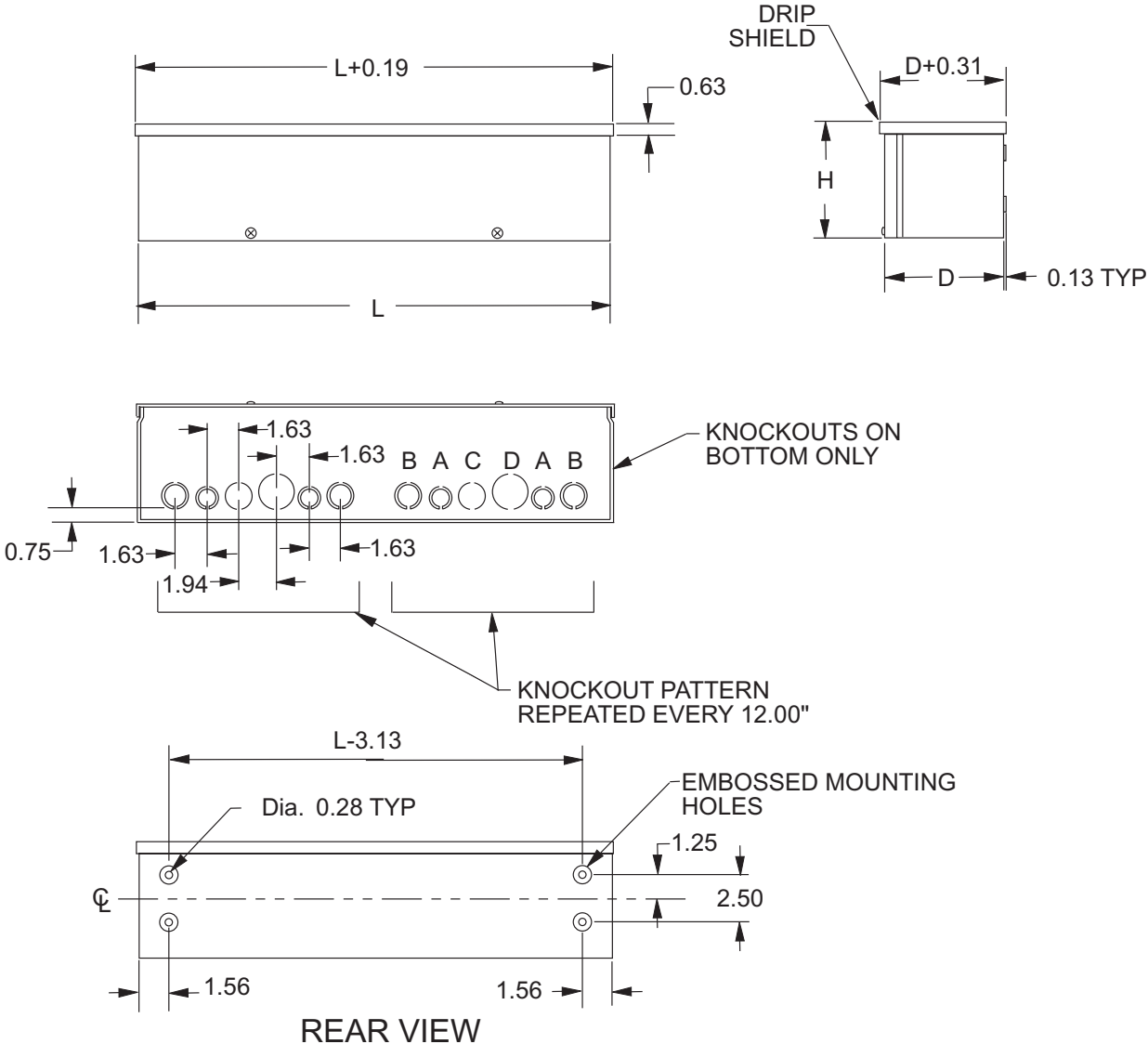
Same day	1 - 5 days	1 - 7 days	1 - 10 days	1 - 15 days	1 - 20 days
----------	------------	------------	-------------	-------------	-------------

Color indicates shipping lead time in business days.

Part Number	Price	Body/Door Steel Gauge	Enclosure Size HxDxL	Knockout Pattern
RSCG040412	\$45.00	16/16	4.06 x 4.06 x 12.13 (103 x 103 x 308)	B-A-C-D-A-B repeated
RSCG040424	\$64.00	16/16	4.06 x 4.06 x 24.13 (103 x 103 x 613)	B-A-C-D-A-B repeated
RSCG040436	\$83.00	16/16	4.06 x 4.06 x 36.13 (103 x 103 x 918)	B-A-C-D-A-B repeated
RSCG040448	\$102.00	16/16	4.06 x 4.06 x 48.13 (103 x 103 x 1222)	B-A-C-D-A-B repeated
RSCG040460	\$121.00	16/16	4.06 x 4.06 x 60.13 (103 x 103 x 1527)	B-A-C-D-A-B repeated
RSCG060612	\$56.00	16/16	6.06 x 6.06 x 12.13 (154 x 154 x 308)	B-A-C-D-A-B repeated
RSCG060624	\$87.00	16/16	6.06 x 6.06 x 24.13 (154 x 154 x 613)	B-A-C-D-A-B repeated
RSCG060636	\$116.00	16/16	6.06 x 6.06 x 36.13 (154 x 154 x 918)	B-A-C-D-A-B repeated
RSCG060648	\$144.00	16/16	6.06 x 6.06 x 48.13 (154 x 154 x 1222)	B-A-C-D-A-B repeated
RSCG060660	\$172.00	16/16	6.06 x 6.06 x 60.13 (154 x 154 x 1527)	B-A-C-D-A-B repeated
RSCG060672	\$201.00	16/16	6.06 x 6.06 x 72.13 (154 x 154 x 1832)	B-A-C-D-A-B repeated
RSCG080824	\$117.00	16/16	8.06 x 8.06 x 24.13 (205 x 205 x 613)	B-A-C-D-A-B repeated
RSCG080836	\$156.00	16/16	8.06 x 8.06 x 36.13 (205 x 205x918)	B-A-C-D-A-B repeated
RSCG080848	\$195.00	16/16	8.06 x 8.06 x 48.13 (205 x 205 x 1222)	B-A-C-D-A-B repeated
RSCG080860	\$235.00	16/16	8.06 x 8.06 x 60.13 (205 x 205 x 1527)	B-A-C-D-A-B repeated
RSCG080872	\$307.00	16/16	8.06 x 8.06 x 72.13 (205 x 205 x 1832)	B-A-C-D-A-B repeated

Note: Dimensions in inches (millimeters).
Letters in table correspond to letters on dimensional drawings.

RSCG Series NEMA 3R Wiring Trough



KNOCKOUT SIZES

- B = 3/4" x 1" CONCENTRIC KO
- A = 1/2" x 3/4" CONCENTRIC KO
- C = 1" SOLID KO
- D = 1-1/4" SOLID KO

G19RSCG

Please see our website www.AutomationDirect.com for complete engineering drawings.