

IDEM Solenoid Interlock Accessories

Actuators

- 4 available keys
- All keys are 316 stainless steel
- Flexible key options available
- Lockout actuator available

140107



140108



140110



140111



140130



140123



IDEM Interlock Safety Switch Actuator Tongue (Keys)							
Part Number	Price	Description	Use with:		Weight (lbs)	Minimum Entry Radius	Dimensions
			KLP/KLM/KL1/KLTM	KL3-SS/KLT-SS			
140107	\$8.25	40mm mounting hole spacing, 90 degree stainless steel key/mounting tab	✓	✓	0.07	175mm	Figure 1
140108	\$8.25	20mm mounting hole spacing, straight stainless steel key with plastic stop	✓	✓	0.07	175mm	Figure 2
140110	\$29.50	40mm mounting hole spacing, stainless steel key with black-painted aluminum flexible mounting tab	✓	✓	0.16	100mm	Figure 3
140111	\$59.00	40mm mounting hole spacing, stainless steel key with mirror polished stainless steel flexible mounting tab	✓	✓	0.22	100mm	Figure 3
140130	\$29.00	IDEM lockout actuator, stainless steel, for use with all IDEM tongue (key) switches	✓	✓	0.10	NA	Figure 4
140123	\$14.50	IDEM anti-tamper manual release key, for use with KL3 and KLT series safety switches		✓	0.05	NA	Figure 5

Accessories

- Gate bolt kits provide a sliding latch and lockout for swinging or sliding doors
- Comes with handle and flat actuator
- Sliding action prevents accidental closure
- Requires four M5 x 35mm mounting screws (not included)
- Gate bolt kit materials: ABS plastic handle; mild steel yellow plate; aluminum black base; mild steel plated bar (inserts into guide); stainless steel guide and key

GBL-1-210001



GBL-1-210002



GB - 210005



GB - 210006



IDEM Interlock Safety Switch Accessories						
Part Number	Price	Description	Use with:		Weight (lbs)	Dimensions
			KLP/KLM	GBL-1		
GBL-1-210001	\$103.00	IDEM gate bolt, left hand version, for use with KLP and KLM series safety switches. Includes actuating tongue (key).	✓		4.12	Figure 6
GBL-1-210002	\$103.00	IDEM gate bolt, right hand version, for use with KLP and KLM series safety switches. Includes actuating tongue (key).	✓		4.12	Figure 7
GB-210005	\$13.50	IDEM rear escape handle, for use with GBA-1 and GBL-1 series gate bolts		✓	0.1	Figure 8
GB-210006	\$13.50	IDEM spring loaded catch, for use with GBA-1 and GBL-1 series gate bolts		✓	0.08	Figure 9

IDEM Solenoid Interlock Safety Accessories

Dimensions mm[in]

Figure 1

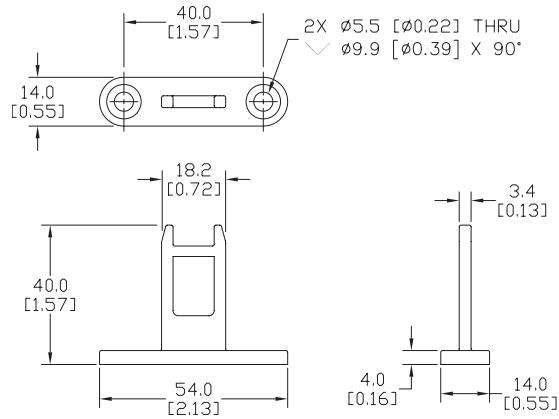


Figure 2

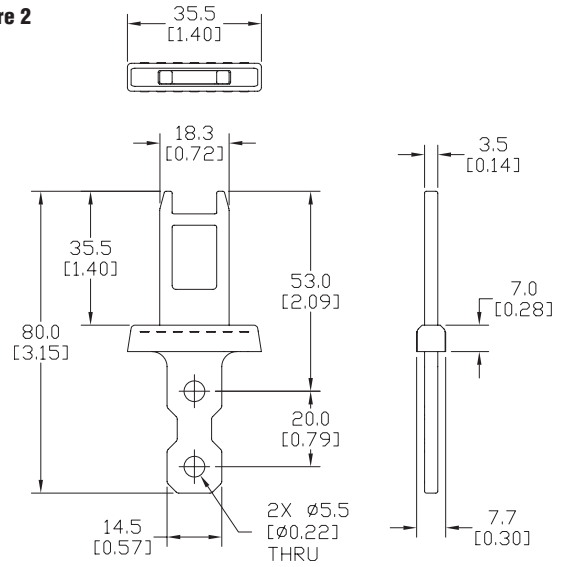
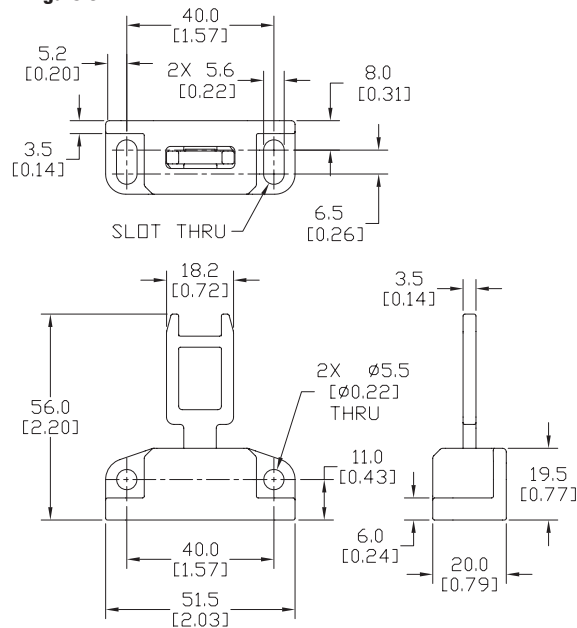


Figure 3



IDEM Solenoid Interlock Safety Accessories

Dimensions mm[in]

Figure 4

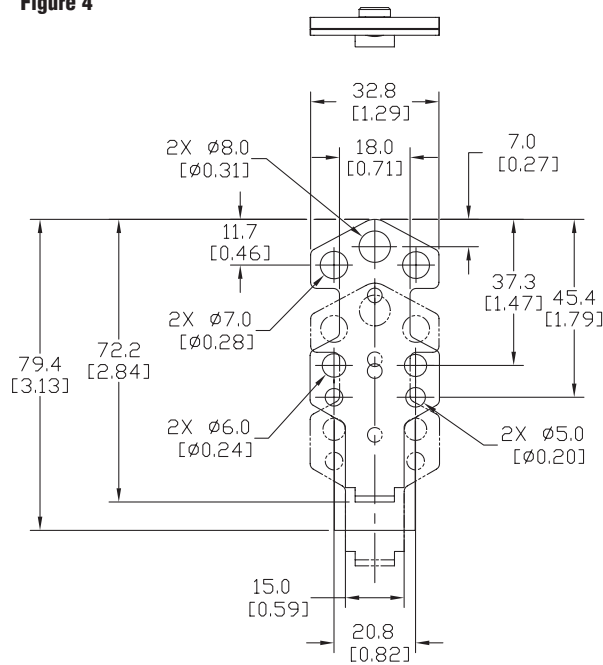


Figure 5

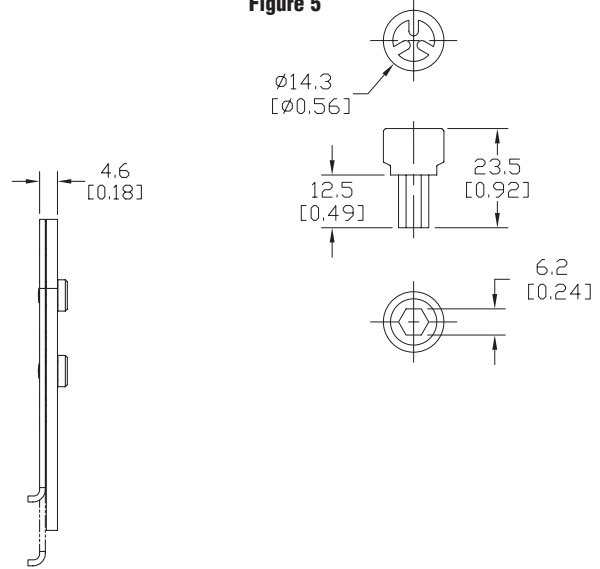
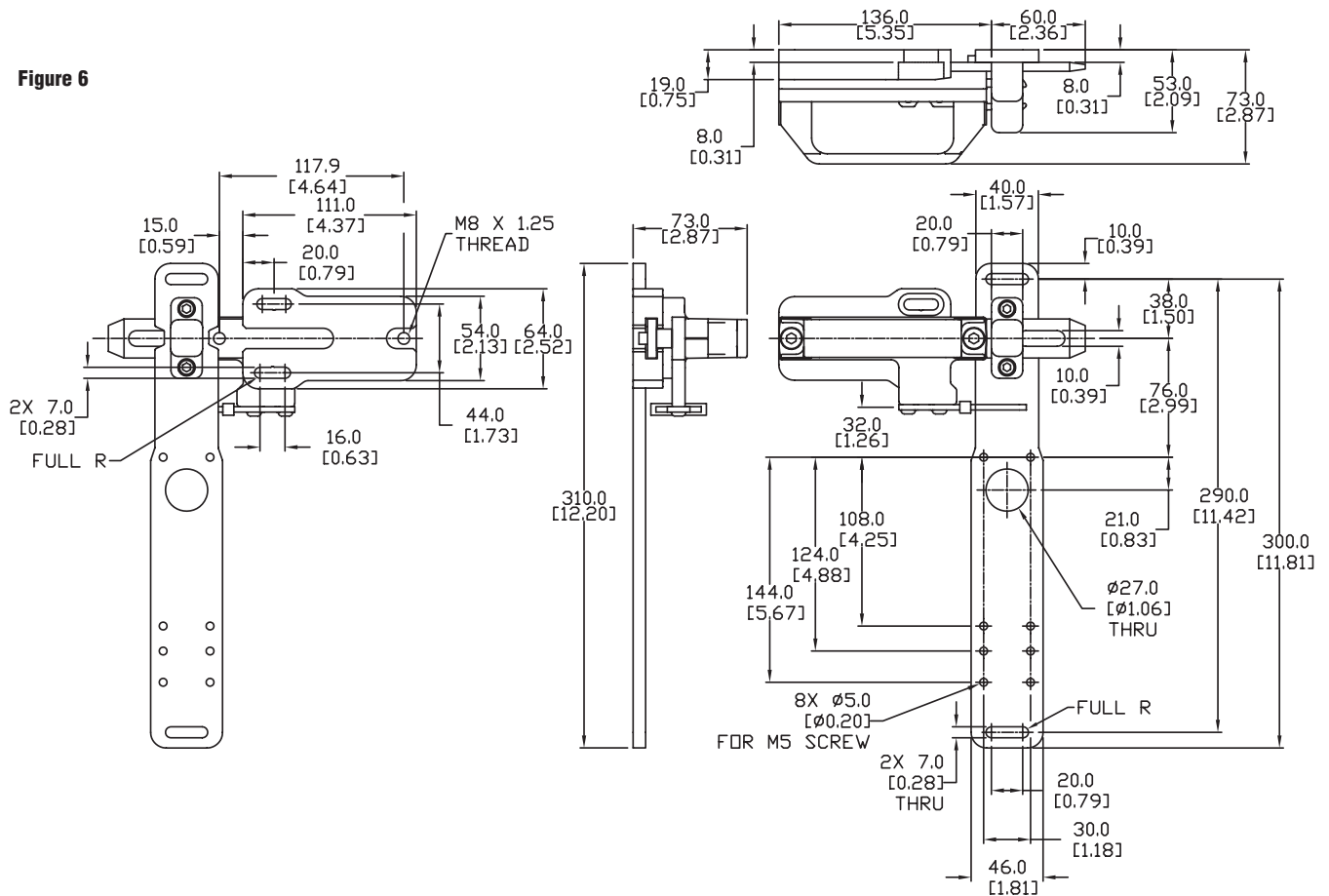


Figure 6



IDEM Solenoid Interlock Safety Accessories

Dimensions mm[in]

Figure 7

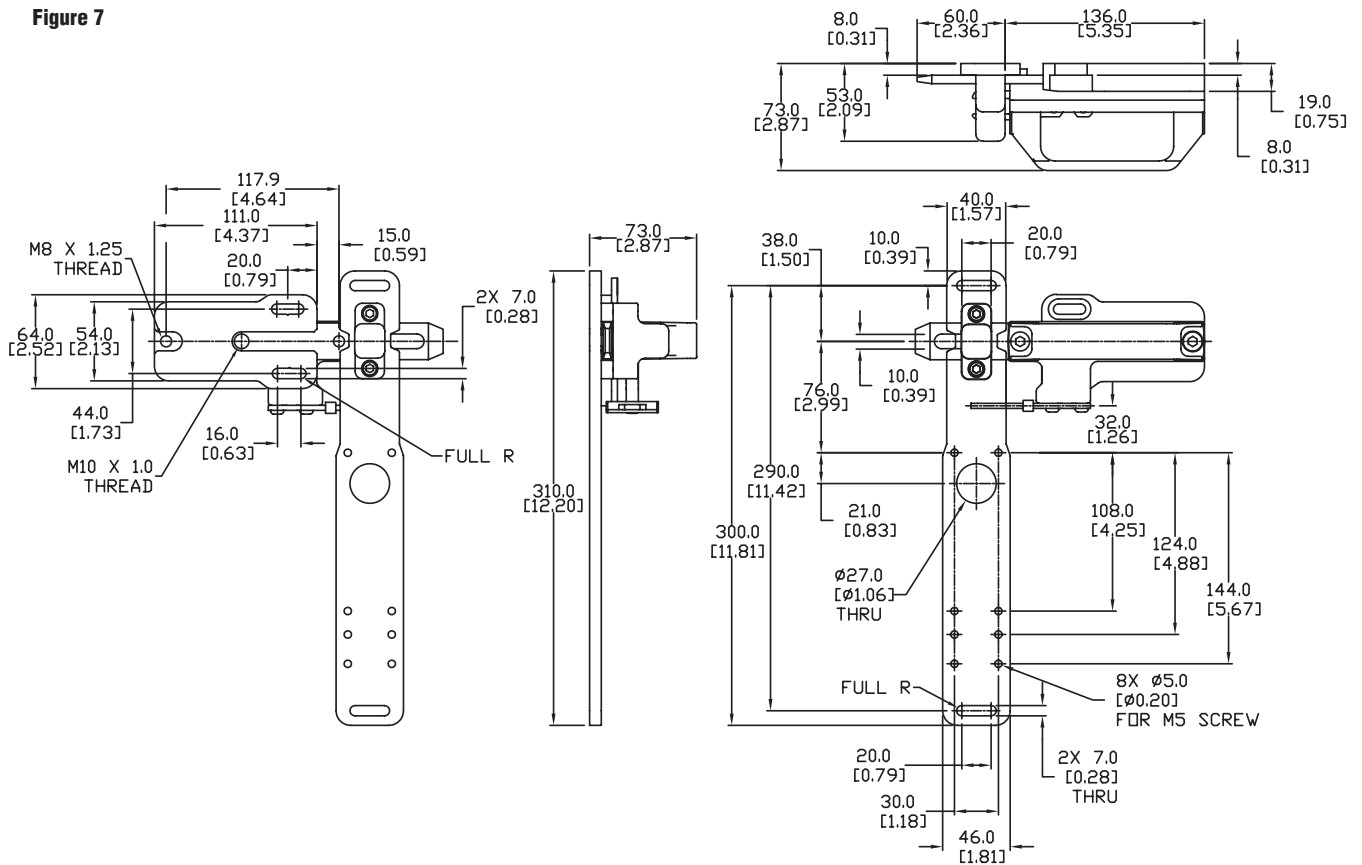


Figure 8

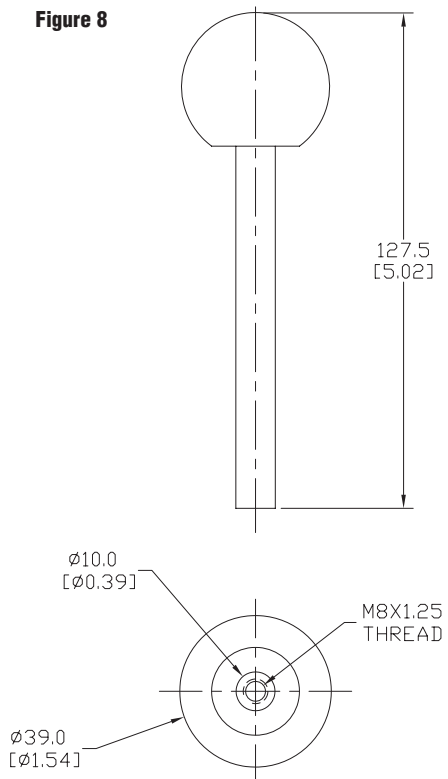
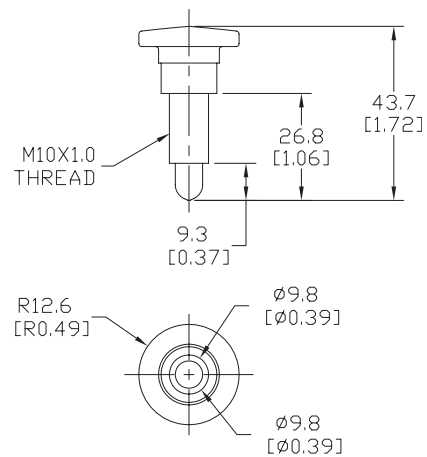


Figure 9



IDEM Interlock Safety Accessories

Actuator Keys

- 14 available keys
- All keys are 316 stainless steel
- Flexible key options available



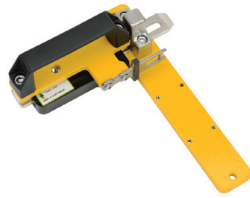
IDEM Interlock Safety Switch Actuator Tongue (Keys)											
Part Number	Price	Description	Use with:					Weight (lbs)	Minimum Entry Radius	Dimensions	
			IDIS-1	KP/K15	K-SS/KM/KM-SS	INCH	MK1				
140103	\$8.25	14.4 mm mounting hole spacing, 90° bent stainless steel key/mounting tab	✓					0.03	175mm	Figure 1	
140104	\$8.25	14.4 mm mounting hole spacing, straight stainless steel key/mounting tab	✓					0.03	175mm	Figure 2	
140105	\$14.50	40mm mounting hole spacing, stainless steel key with polyester flexible mounting tab	✓					0.06	100mm	Figure 3	
140106	\$8.25	40mm mounting hole spacing, 90° stainless steel key/mounting tab		✓**				0.07	175mm	Figure 4	
140107	\$8.25	40mm mounting hole spacing, 90° stainless steel key/mounting tab		✓*	✓			0.07	175mm	Figure 5	
140108	\$8.25	20mm mounting hole spacing, straight stainless steel key with plastic stop		✓	✓			0.07	175mm	Figure 6	
140109	\$14.50	40mm mounting hole spacing, stainless steel key with polyester flexible mounting tab		✓	✓			0.10	100mm	Figure 7	
140110	\$29.50	40mm mounting hole spacing, stainless steel key with black-painted aluminum flexible mounting tab		✓	✓			0.16	100mm	Figure 8	
140111	\$59.00	40mm mounting hole spacing, stainless steel key with mirror polished stainless steel flexible mounting tab		✓	✓			0.22	100mm	Figure 9	
140130	\$29.00	IDEM lockout actuator, stainless steel, for use with IDEM tongue (key) switches		✓	✓					Figure 10	
140179	\$16.50	IDEM key guide, 316 stainless steel. Mounting hardware included. For use with IDEM INCH series safety switches				✓			NA	Figure 15	
140179-SS	\$16.50	IDEM key guide, 316 stainless steel. For use with IDEM MK1 series safety switches					✓				
140180	\$8.25	IDEM actuator tongue (key), 8mm mounting hole spacing, 316 stainless steel, 90 degree mounting tab. For use with IDEM MK1 and INCH series safety switches				✓	✓	0.10	150mm	Figure 16	
140181	\$8.25	IDEM actuator tongue (key), 15mm mounting hole spacing, 316 stainless steel, straight mounting tab, shock absorbing. For use with IDEM MK1 and INCH series safety switches				✓	✓			Figure 17	
140182	\$14.50	IDEM actuator tongue (key), 40mm mounting hole spacing, 316 stainless steel, flexible mounting tab. For use with IDEM MK1 and INCH series safety switches				✓	✓		100mm	Figure 18	

IDEM Interlock Safety Accessories

Accessories

- Gate bolt kits provide a sliding latch and lockout for swinging or sliding doors
- Comes with handle and flat actuator
- Sliding action prevents accidental closure
- Requires four M5 x 45mm mounting hardware (not included)
- Gate bolt kit materials: ABS plastic handle; mild steel yellow plate; aluminum black base; mild steel plated bar (inserts into guide); stainless steel guide and key

GBA-1-210003



GBA-1-210004



GB - 210005



GB - 210006



IDEM Interlock Safety Switch Accessories						
Part Number	Price	Description	Use with:		Weight (lbs)	Dimensions
			KM	GBA-1		
<i>GBA-1-210003</i>	\$101.00	IDEM gate bolt, left hand version, for use with KM series safety switches. Includes actuating tongue (key).	✓		3.7	Figure 11
<i>GBA-1-210004</i>	\$99.00	IDEM gate bolt, right hand version, for use with KM series safety switches. Includes actuating tongue (key).	✓		3.7	Figure 12
<i>GB-210005</i>	\$13.50	IDEM rear escape handle, for use with GBA-1 and GBL-1 series gate bolts		✓	0.1	Figure 13
<i>GB-210006</i>	\$13.50	IDEM spring loaded catch, for use with GBA-1 and GBL-1 series gate bolts		✓	0.08	Figure 14

IDEM Interlock Safety Accessories

Dimensions mm[in]

Figure 1

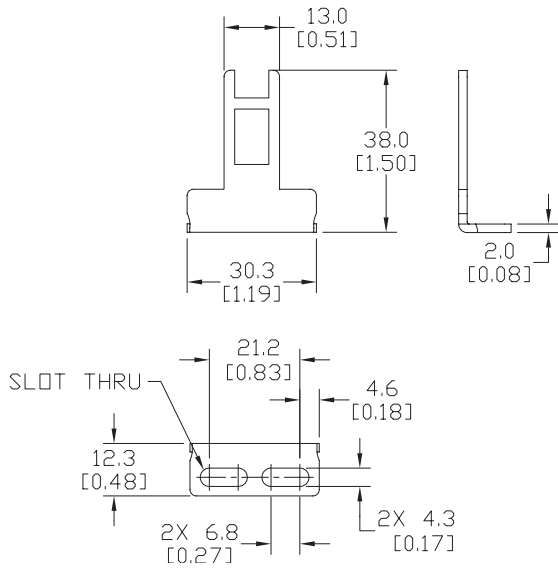


Figure 3

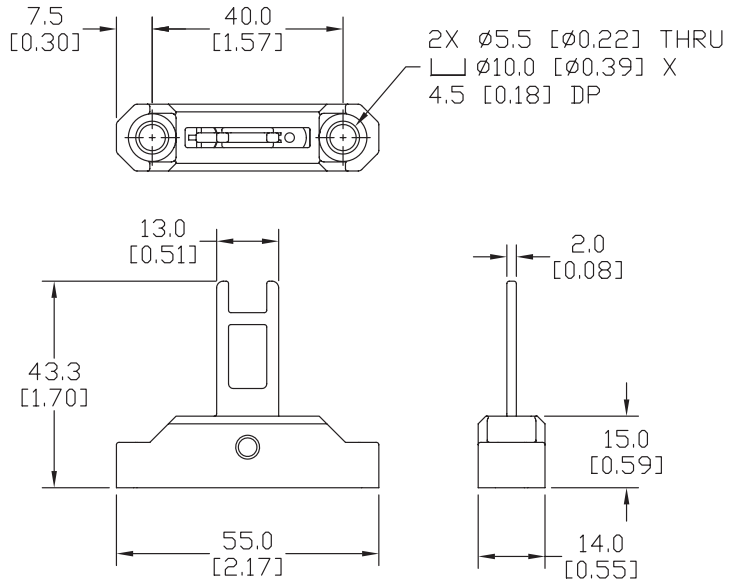


Figure 2

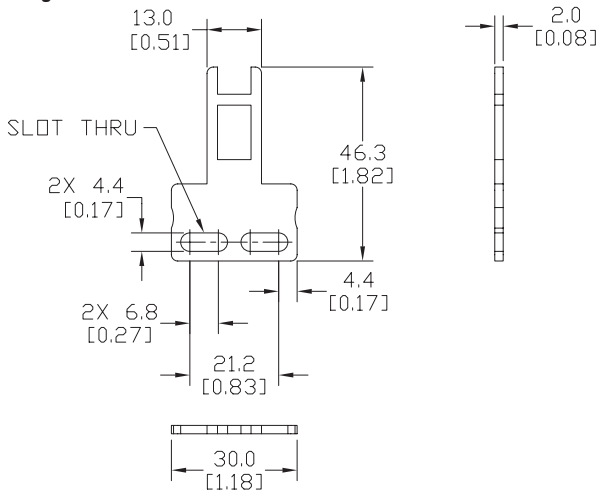
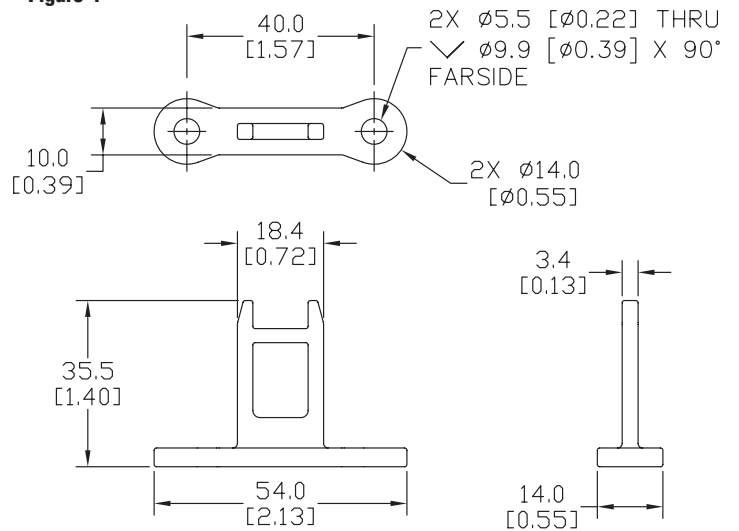


Figure 4



IDEM Interlock Safety Accessories

Dimensions mm[in]

Figure 5

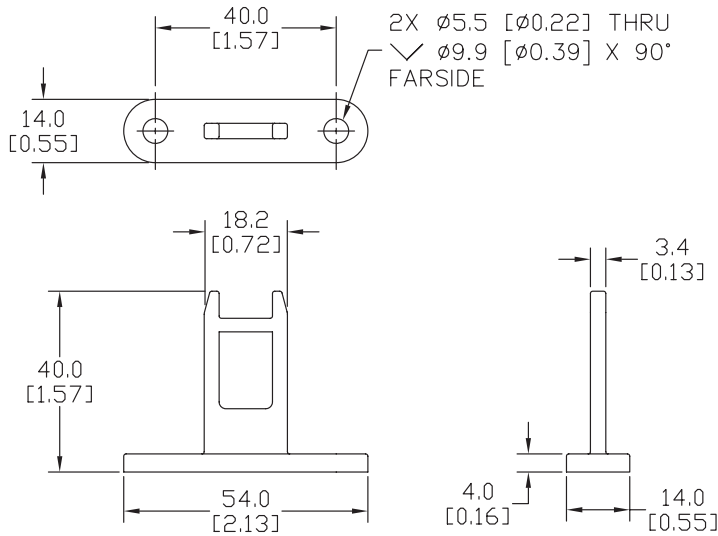
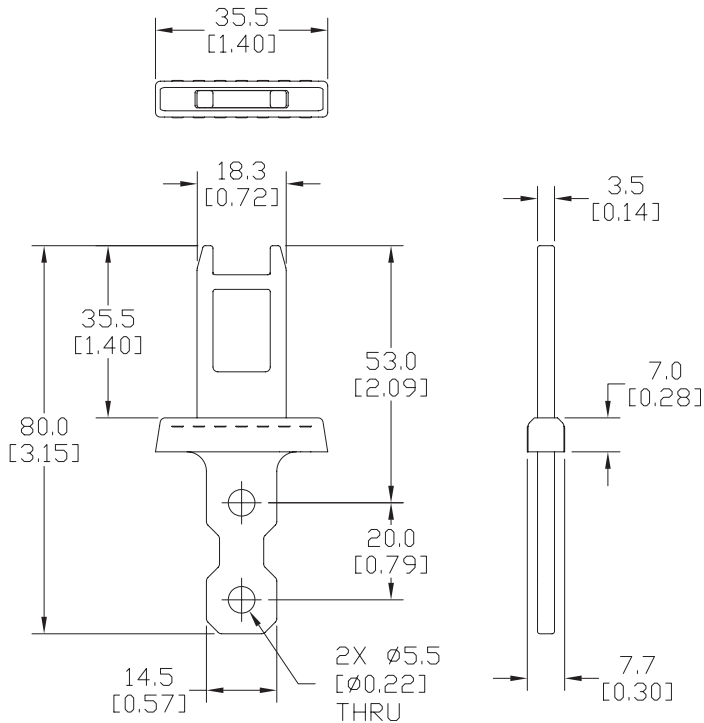


Figure 6



IDEM Interlock Safety Accessories

Dimensions mm[in]

Figure 7

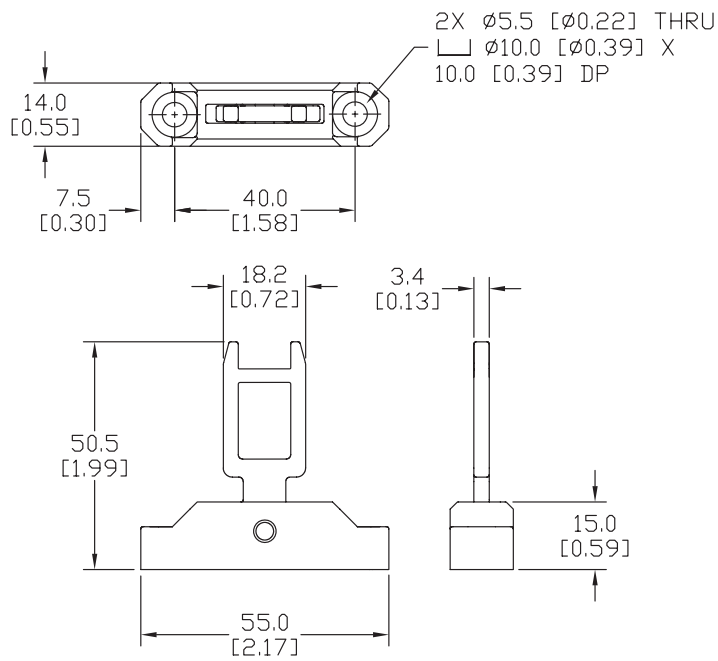
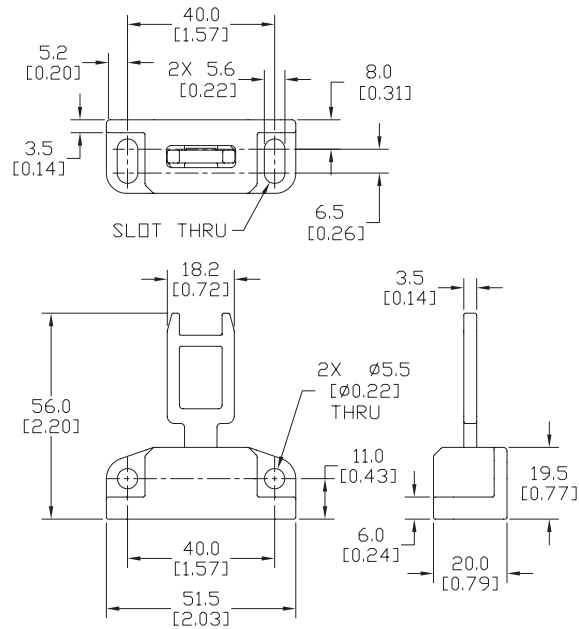


Figure 8



IDEM Interlock Safety Accessories

Dimensions mm[in]

Figure 9

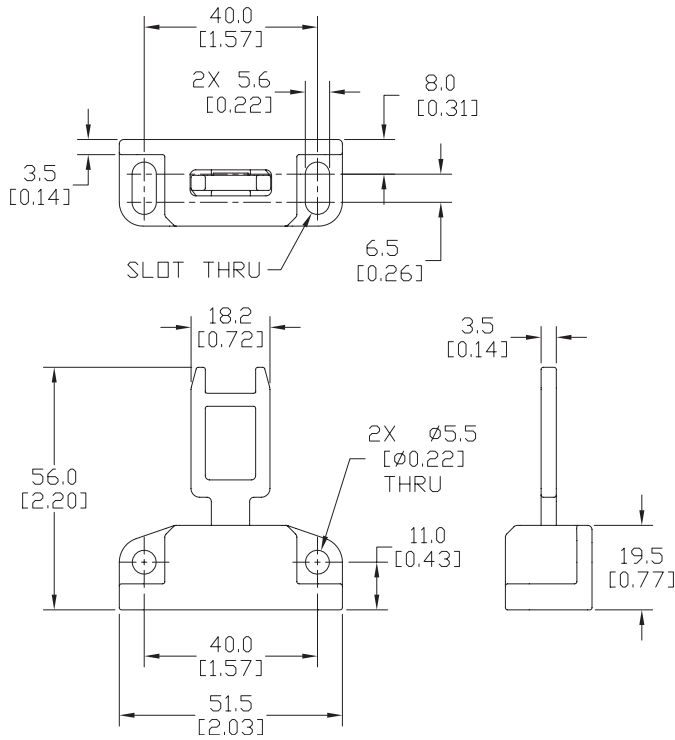
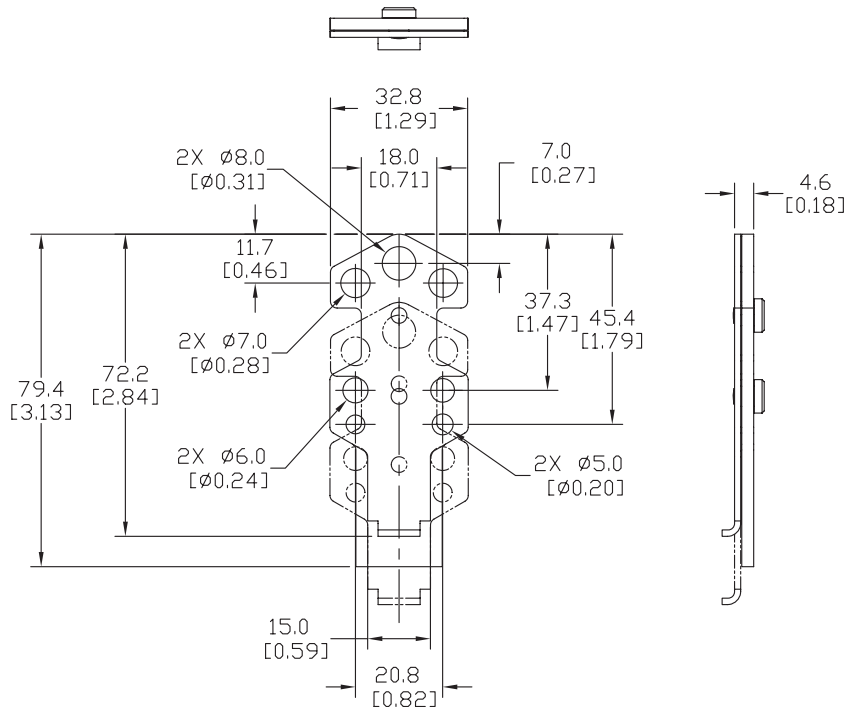


Figure 10



IDEM Interlock Safety Accessories

Dimensions mm[in]

Figure 11

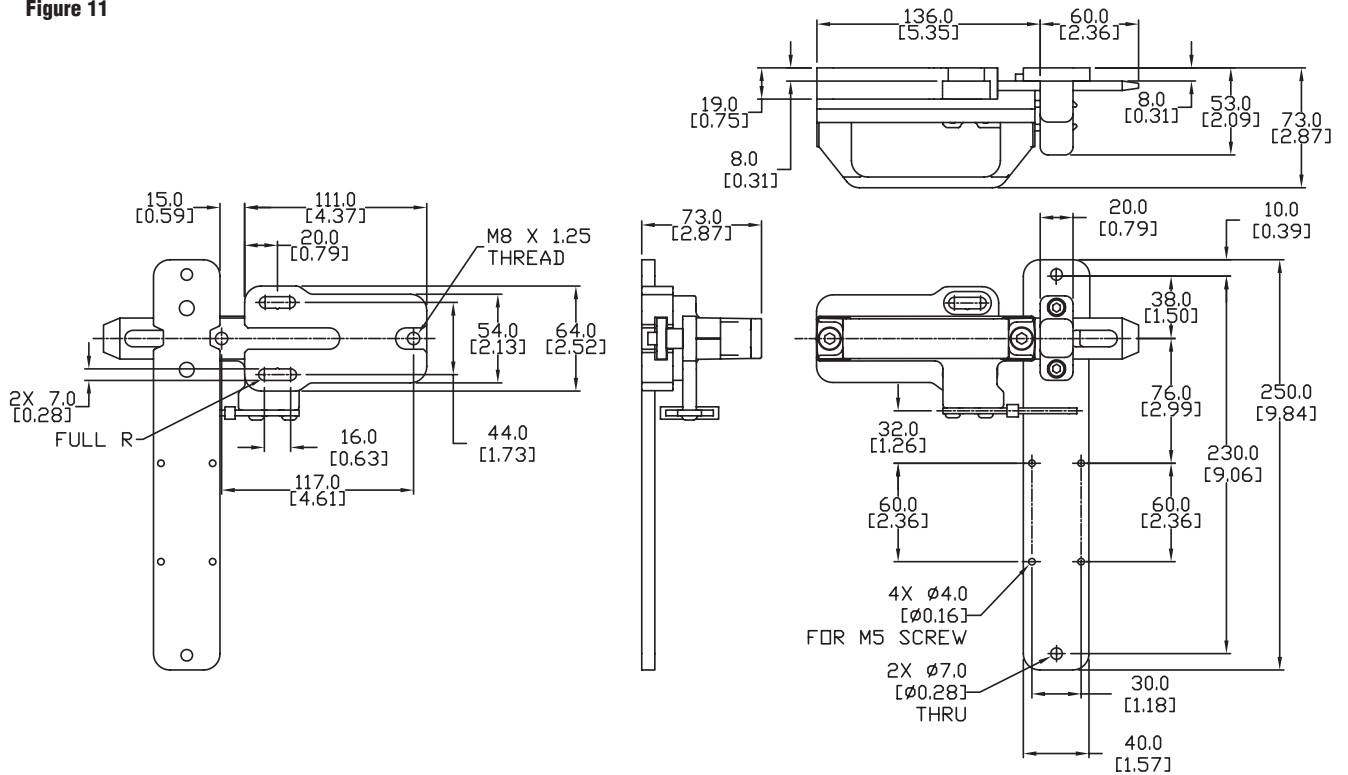
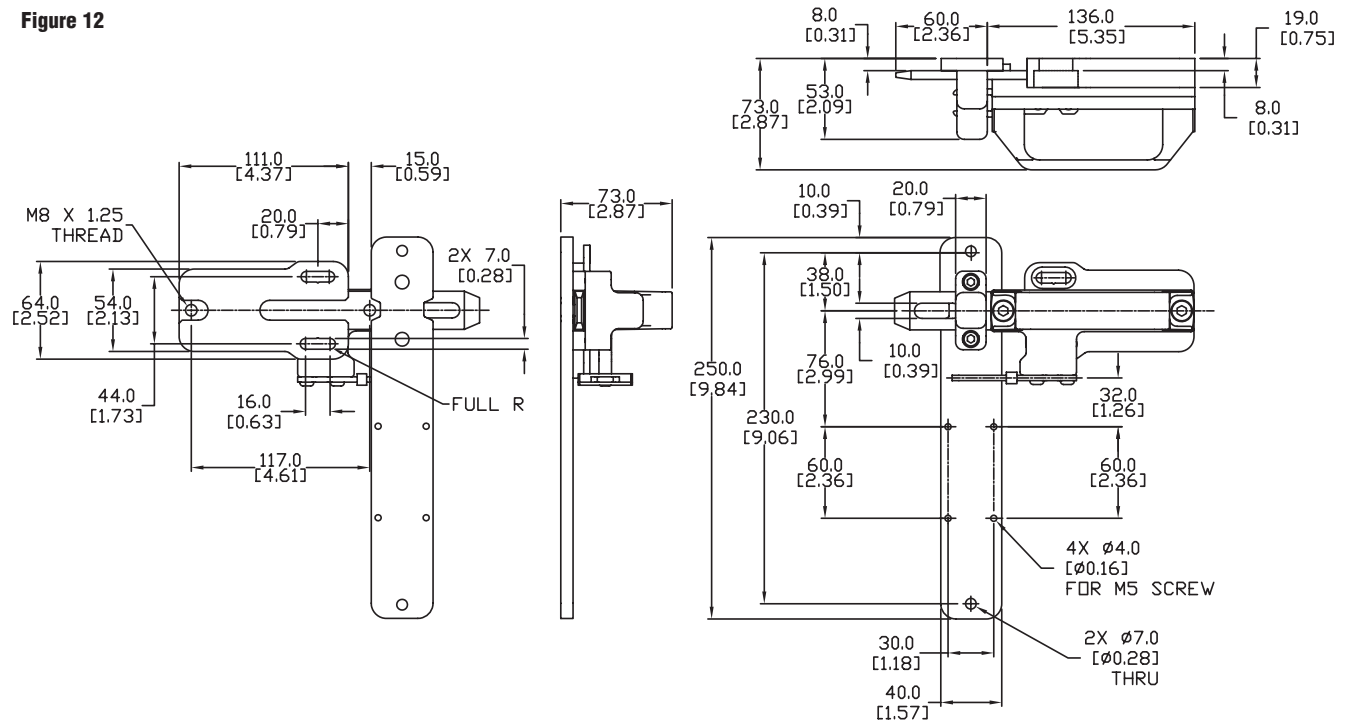


Figure 12



IDEM Interlock Safety Accessories

Dimensions mm[in]

Figure 13

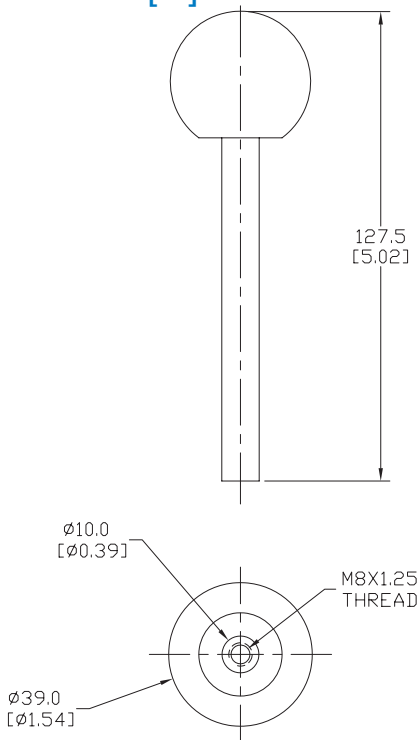


Figure 14

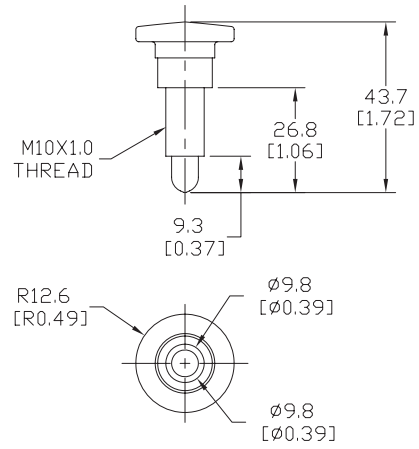


Figure 15

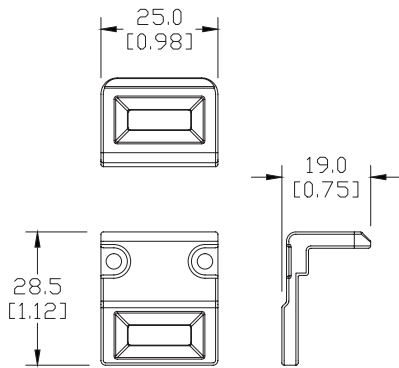


Figure 16

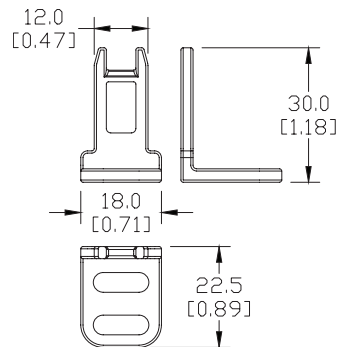


Figure 17

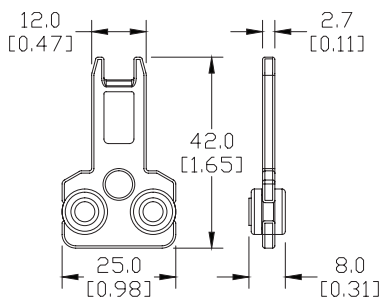
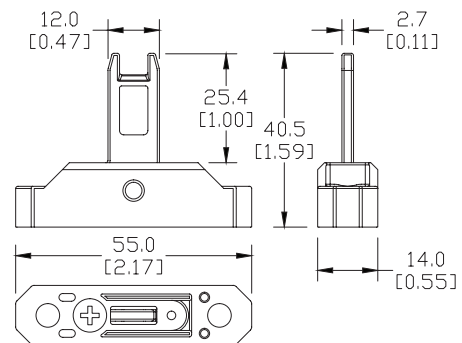


Figure 18



See our website, www.AutomationDirect.com, for complete Engineering drawings.

IDEM Interlock Safety Rope Switch Accessories

Steel Cable for IDEM Cable-Pull Safety Switches				
Part Number	Price	Description	Cable Length	Weight (lbs)
140033	\$13.50	5 meter length steel cable, 4mm diameter, red	5m/16 ft.	0.35
140034	\$21.00	10 meter length steel cable, 4mm diameter, red	10m/32 ft.	0.7
140036	\$31.50	20 meter length steel cable, 4mm diameter, red	20m/65 ft.	1.4
140037	\$41.00	30 meter length steel cable, 4mm diameter, red	30m/98 ft.	2.1
140038	\$57.00	50 meter length steel cable, 4mm diameter, red	50m/164 ft.	3.5
140039	\$85.00	80 meter length steel cable, 4mm diameter, red	80m/262 ft.	5.4
140040	\$97.00	100 meter length steel cable, 4mm diameter, red	100m/328 ft.	6.6
140041	\$111.00	126 meter length steel cable, 4mm diameter, red	126m/413 ft.	8.42



IDEM Interlock Safety Switch Accessories					
Part Number	Price	Description	Construction Material	Weight (lbs)	Dimensions
140019	\$59.00	Cable Tensioner / Gripper. Includes 4mm allen wrench	Stainless Steel	0.5	Figure 1
140020	\$38.50		Galvanized Steel	0.3	Figure 1
140021	\$27.00	Pulley assembly	Stainless Steel	0.3	Figure 2
140064	\$18.00		Galvanized Steel	0.2	Figure 2
140045	\$28.00	Eye bolt 84mm long, M8 x 1.25 threads. Includes (2) flat washers and (2) nuts per eye bolt. Package of 8.	Stainless Steel	0.8	Figure 3
140046	\$14.50		Galvanized Steel	0.5	Figure 3
140043	\$19.00	Spring, 220mm long	Stainless Steel	0.4	Figure 4
140132-AS	\$31.50	Replacement LED assembly, 24VDC, bi-color steady green and red. Use with GLM, GLS or GLS-SS series cable pull switches.	NA	0.08	NA
140132-BS	\$40.00	Replacement LED assembly, 110VAC, bi-color steady green and red. Use with GLM, GLS or GLS-SS series cable pull switches.	NA	0.08	NA



Dimensions mm[in]

Figure 1

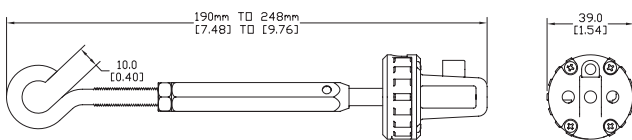


Figure 2

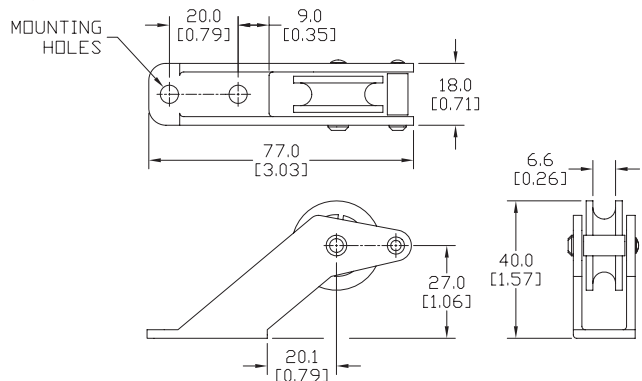


Figure 3

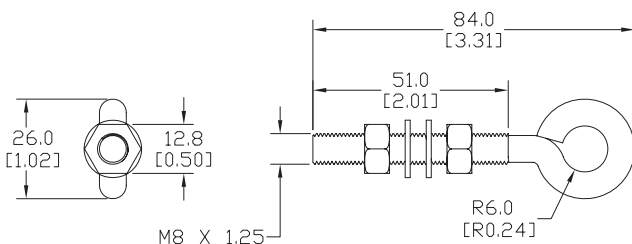
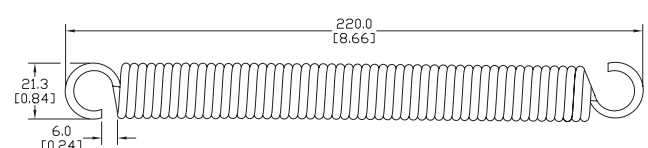


Figure 4



IDEM Interlock Rope Span Options

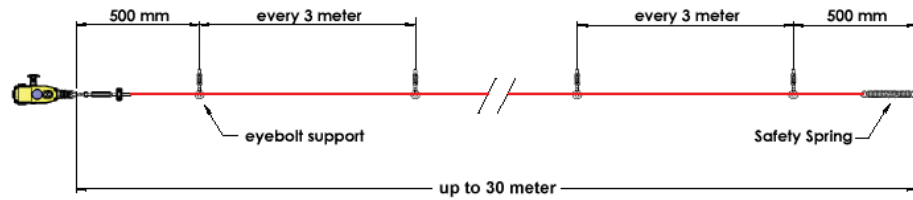
Recommended Options and Fittings

Recommended options and fittings:

- Use two switches when using two pulleys
- When using a safety spring, use a maximum of one corner pulley

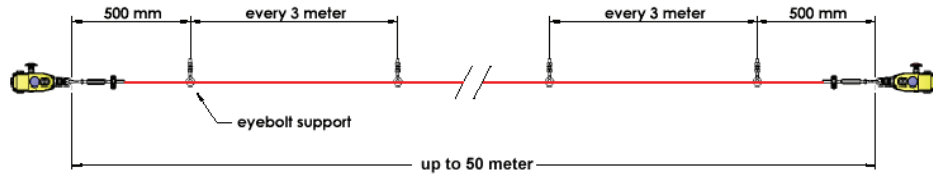
GLM 30m

Up to 30m
1 switch/1 spring



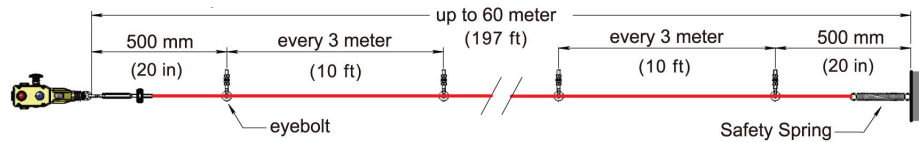
GLM 50m

30 to 60m
2 switches



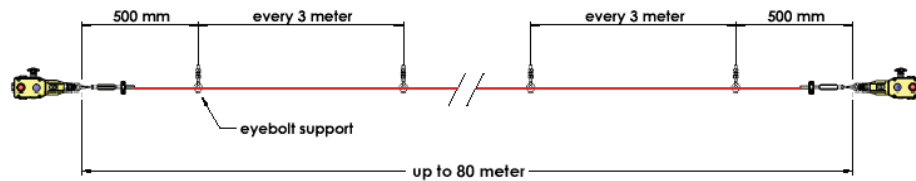
GLS 60m

Up to 60m
1 switch/1 spring



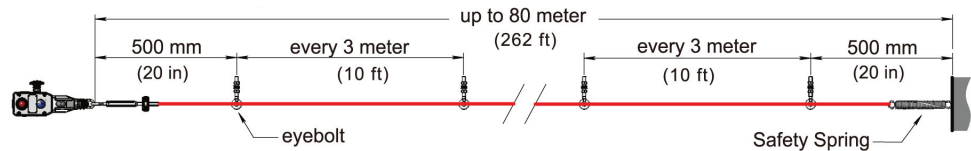
GLS 80m

60 to 80m
2 switches



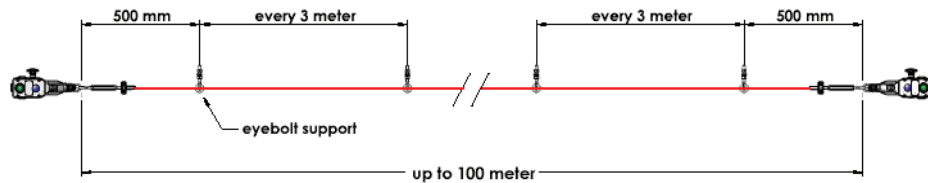
GLS-SS 80m

Up to 80m
1 switch/1 spring

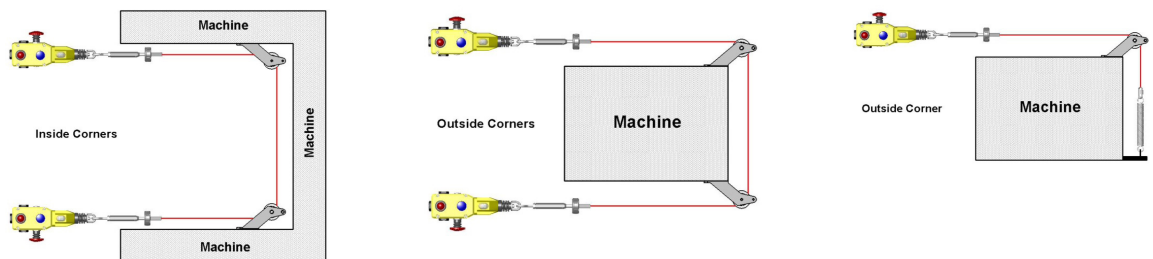


GLS-SS 100m

80 to 100m
2 switches



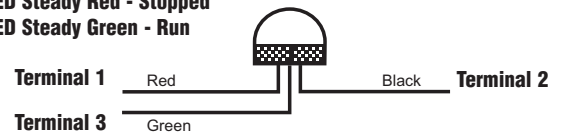
Universal Pulley Examples



LED

When power is applied to the Red wire (terminal 1), the lamp will illuminate Red. When power is applied to the Green Wire (terminal 3), the Lamp will illuminate Green. Black is 0 VDC or Neutral for 110 VAC and 230 VAC versions.

LED Steady Red - Stopped
LED Steady Green - Run



Comepi Safety Switches



KEY13



KEY14



KEY15

KEY35



KEY16

KEY36



KEY17



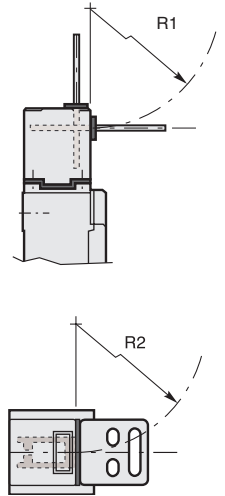
KEY18



KEY19

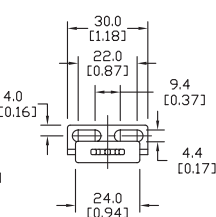
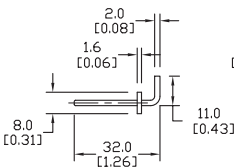
KEY39

Safety Limit Switches Operating Keys						
Part Number	Price	Description	Weight (lbs.)	Mounting Holes Spacing mm [in]	Use With	Minimum Values mm [in]
						R1 R2
KEY13	\$1.25	Actuator tongue. Key with 90-degree bent mounting tab.	0.1	22 [0.87]	SP2K and SDM2K series safety switches	400 [15.75] 400 [15.75]
KEY14	\$1.25	Actuator tongue. Key with straight mounting tab.	0.1	22 [0.87]		400 [15.75] 400 [15.75]
KEY15	\$1.25	Actuator tongue. Key with 90-degree bent mounting tab.	0.1	13 [0.51]		400 [15.75] 400 [15.75]
KEY16	\$1.00	Actuator tongue. Key with straight mounting tab.	0.1	13 [0.51]		400 [15.75] 400 [15.75]
KEY17	\$2.50	Shock-absorbing actuator tongue. Key with 90-degree bent mounting tab.	0.1	15 [0.59]		250 [9.84] 350 [13.78]
KEY18	\$2.50	Shock-absorbing actuator tongue. Key with straight mounting tab.	0.1	15 [0.59]		350 [13.78] 350 [13.78]
KEY19	\$3.25	Actuator tongue. Key with adjustable mounting tab.	0.1	40 [1.57]	SBM2K and SCM2K series safety switches	180 [7.09] 200 [7.87]
KEY35	\$1.75	Actuator tongue. Key with 90-degree bent mounting tab.	0.1	13 [0.51]		400 [15.75] 400 [15.75]
KEY36	\$1.50	Actuator tongue. Key with straight mounting tab.	0.1	13 [0.51]		400 [15.75] 400 [15.75]
KEY39	\$3.75	Actuator tongue. Key with adjustable mounting tab.	0.1	40 [1.57]		180 [7.09] 200 [7.87]

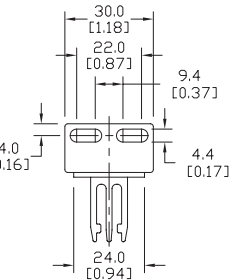
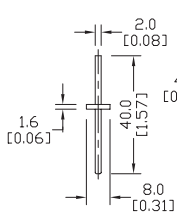


Dimensions mm[in]

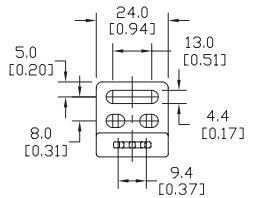
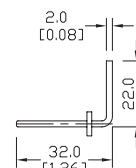
KEY13



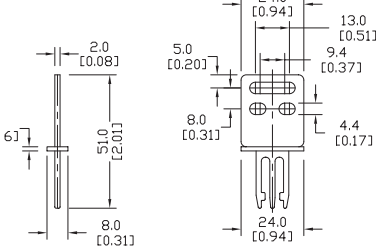
KEY14



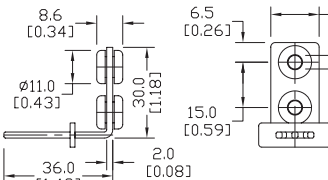
KEY15



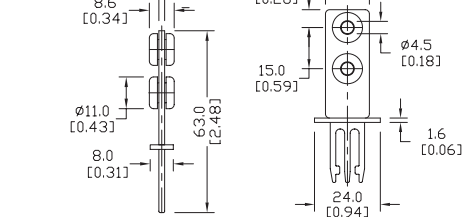
KEY16



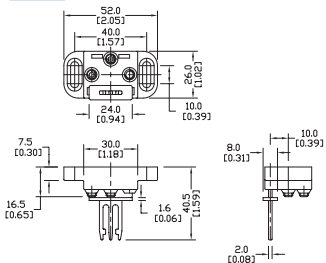
KEY17



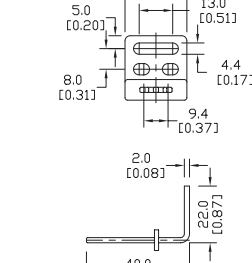
KEY18



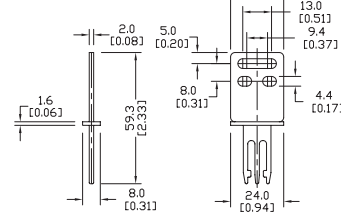
KEY19



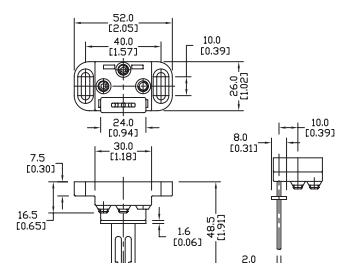
KEY35



KEY36



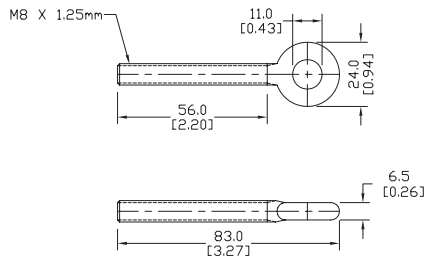
KEY39



Comepi Safety Switches Accessories



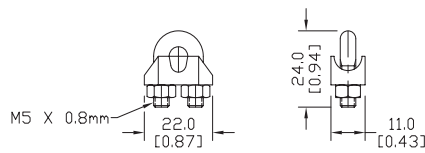
OCC08



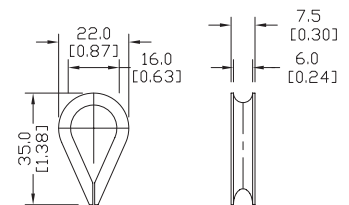
Safety Limit Switches Cable Pull Accessories			
Part Number	Price	Description	Weight (lbs.)
OCC08	\$1.00	Eye bolt	0.2
MOR05	\$1.00	Cable Clamp	0.1
RED05	\$1.00	Eye thimble	0.0
FUN05M015	\$14.50	15 meter length steel cable 5 mm diameter, Red	2.0
FUN05M025	\$21.50	25 meter length steel cable, 5 mm diameter, Red	3.3



MOR05



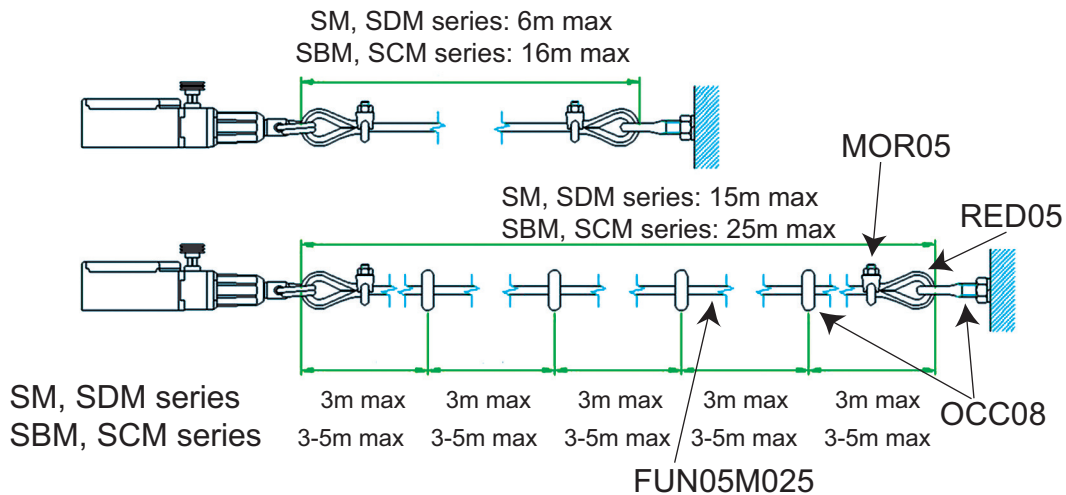
RED05



FUN05M025

All dimensions are in mm [in].

Installation example



IDEM Non-Contact Safety Accessories

Non-Contact Spacers

- 5 different spacers available
- Supplied in packages of 2
- All spacers are made from polyester
- For use with IDEM Non-Contact switches when mounted to a ferrous surface



110300-2

111300-2

112300-2

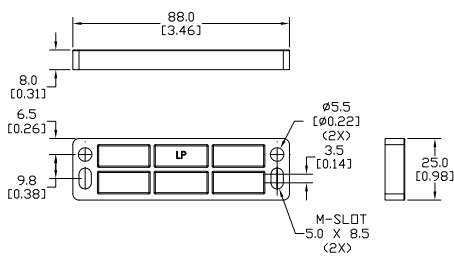
113300-2

114300-2

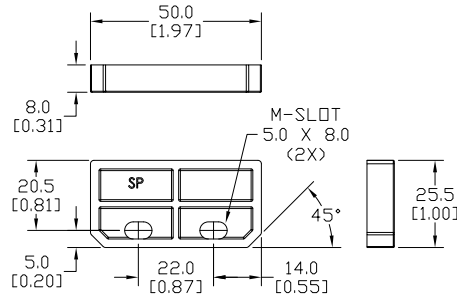
IDEM Non-Contact Safety Switch Spacers									
Part Number	Price	Description	Use with non-contact switch actuator:					Weight	Dimensions
			LP	SP	WP	CP	MP		
110300-2	\$11.00	LP polyester 8mm [0.31 in] spacer for use on ferrous materials	✓					0.03 lb [13.6 g]	Refer to drawings below
111300-2	\$8.75	SP polyester 8mm [0.31 in] spacer for use on ferrous materials		✓				0.03 lb [13.6 g]	
112300-2	\$11.00	WP polyester 8mm [0.31 in] spacer for use on ferrous materials			✓			0.06 lb [27.2 g]	
113300-2	\$11.00	CP polyester 8mm [0.31 in] spacer for use on ferrous materials				✓		0.07 lb [31.8 g]	
114300-2	\$8.75	MP polyester 8mm [0.31 in] spacer for use on ferrous materials					✓	0.07 lb [31.8 g]	

Dimensions (mm [inches])

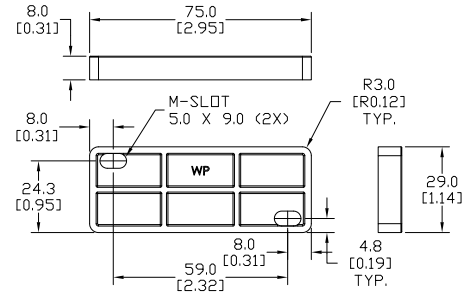
110300-2



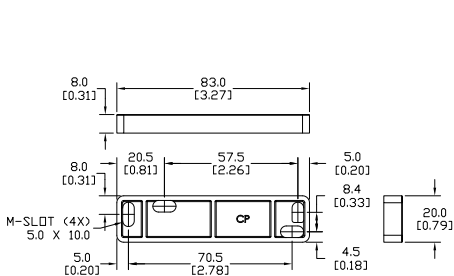
111300-2



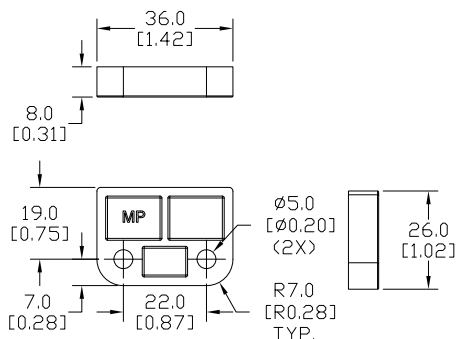
112300-2



113300-2



114300-2



See our website www.AutomationDirect.com for complete engineering drawings.

Safety Products



Warning: Safety products sold by AutomationDirect are Safety components only. The purchaser/installer is solely responsible for the application of these components and ensuring all necessary steps have been taken to assure each application and use meets all performance and applicable safety requirements and/or local, national and/or international safety codes as required by the application. AutomationDirect cannot certify that our products, used solely or in conjunction with other AutomationDirect or other vendors' products, will assure safety for any application. Any person using or applying any products sold by AutomationDirect is responsible for learning the safety requirements for their individual application and applying them, and therefore assumes all risks, and accepts full and complete responsibility, for the selection and suitability of the product for their respective application.

AutomationDirect does not provide design or consulting services, and cannot advise whether any specific application or use of our products would ensure compliance with the safety requirements for any application.