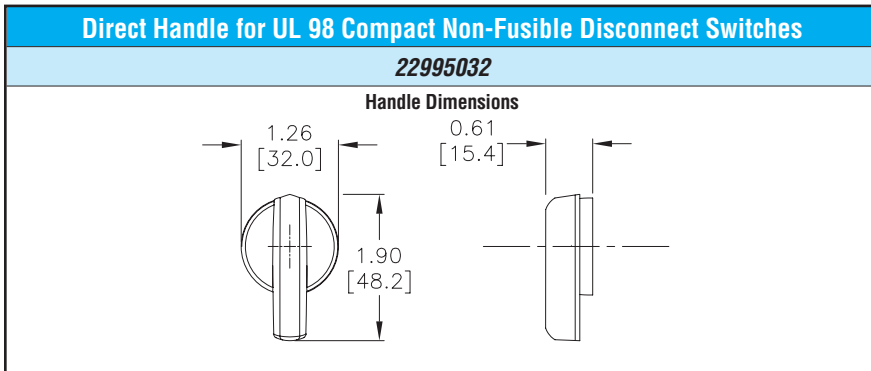


Accessories Dimensions



Handles

[inches/mm]



External Handles for UL 98 Compact Non-Fusible Disconnect Switches		
S00 Type		
Handle Dimensions 	Direction of Operation 	Door Drilling
S0 Type		
Handle Dimensions 	Direction of Operation 	Door Drilling
S01 Type		
Handle Dimensions 	Direction of Operation 	Door Drilling

Please see our website www.AutomationDirect.com for complete engineering drawings.

Accessories Dimensions



Handles

[inches/mm]

Direct Handles for UL 98 Non-Fusible Disconnect Switches	
26995052	37996012
Handle Dimensions	Handle Dimensions

External Handles for UL 98 Non-Fusible Disconnect Switches		
S2 Type		
Handle Dimensions 	Direction of Operation 	Door Drilling
S3 Type		
Handle Dimensions 	Direction of Operation 	Door Drilling

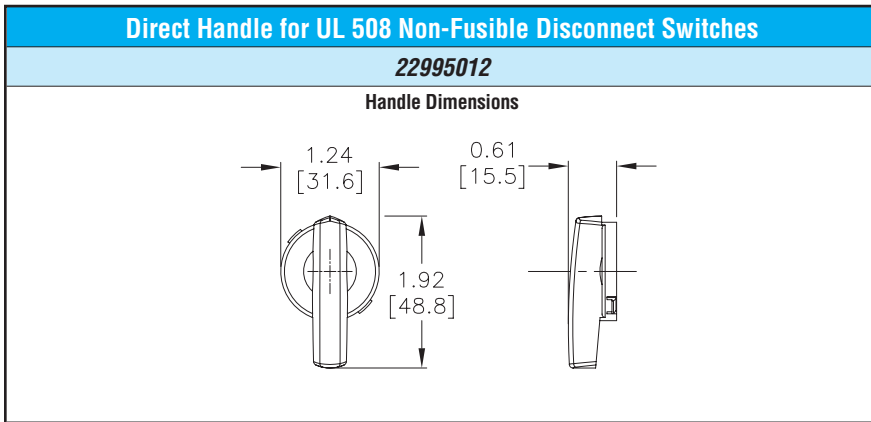
Please see our website www.AutomationDirect.com for complete engineering drawings.

Accessories Dimensions



Handles

[inches/mm]



External Handles for UL 508 Non-Fusible Disconnect Switches		
<i>S00 Type</i>		
<p>Handle Dimensions</p>	<p>Direction of Operation</p>	<p>Door Drilling</p>
<i>S0 Type</i>		
<p>Handle Dimensions</p>	<p>Direction of Operation</p>	<p>Door Drilling</p>
<i>S01 Type</i>		
<p>Handle Dimensions</p>	<p>Direction of Operation</p>	<p>Door Drilling</p>

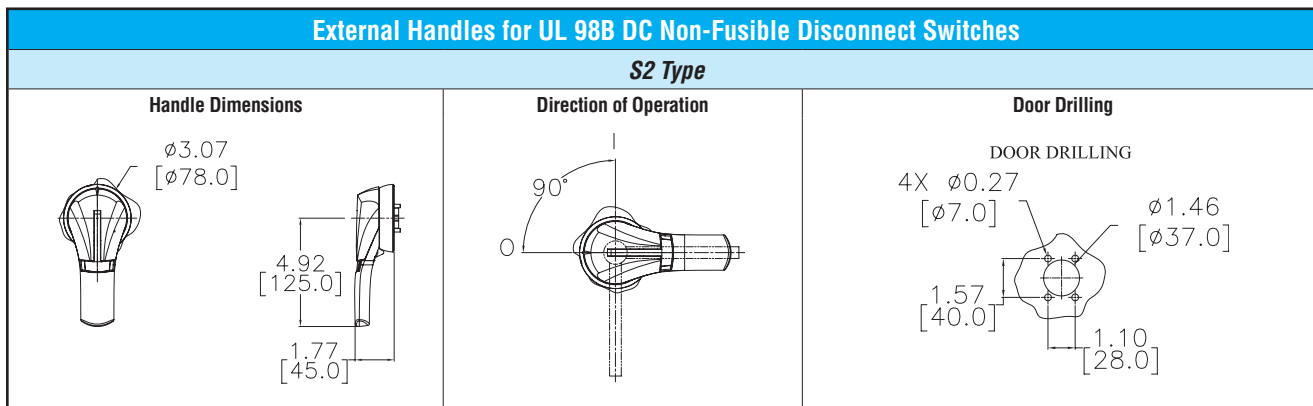
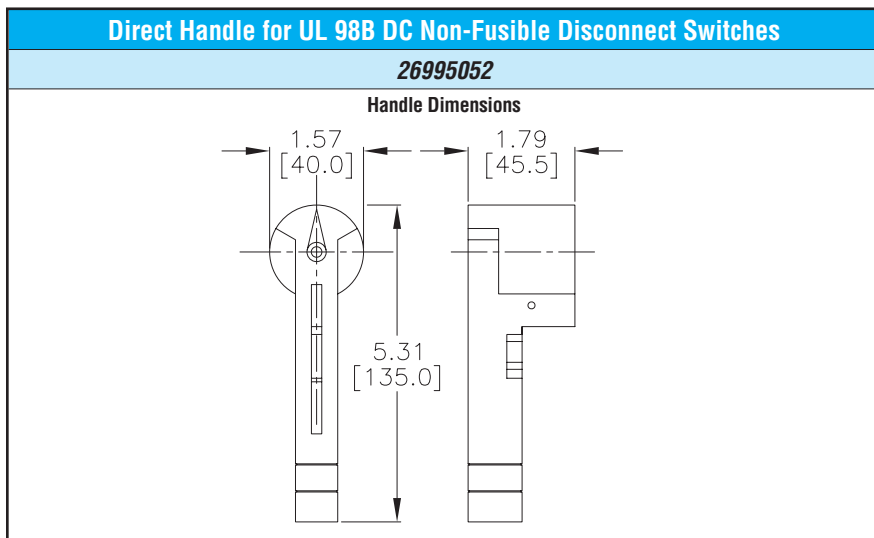
Please see our website www.AutomationDirect.com for complete engineering drawings.

Accessories Dimensions



Handles

[inches/mm]



Please see our website www.AutomationDirect.com for complete engineering drawings.

Accessories Dimensions



Handles

[inches/mm]

Direct Handles for UL 489 Compact Fusible Disconnect Switches	
26995052	37996012
<p>Handle Dimensions</p>	<p>Handle Dimensions</p>

External Handles for UL 489 Compact Fusible Disconnect Switches			
S0 Type			
<p>Handle Dimensions</p>	<p>Direction of Operation</p>	<p>Door Drilling</p>	
S1 Type			
<p>Handle Dimensions</p>	<p>Direction of Operation</p> <p>TEST POSITION INCLUDED ON CERTAIN MODELS ONLY AS INDICATED IN THE SELECTION TABLES</p>	<p>Door Drilling</p>	

Note: Test position included on certain models only as indicated in the selection tables.

Please see our website www.AutomationDirect.com for complete engineering drawings.

Accessories Dimensions



Handles [inches/mm]

Direct Handles for UL 98 Fusible Disconnect Switches	
36297910	38596011
<p>Handle Dimensions</p>	<p>Handle Dimensions</p>

External Handles for UL 98 Fusible Disconnect Switches			
S1 Type			
<p>Handle Dimensions</p>	<p>Direction of Operation</p> <p>TEST TEST POSITION INCLUDED ON CERTAIN MODELS ONLY AS INDICATED IN THE SELECTION TABLES</p>	<p>Door Drilling</p>	
S2 Type			
<p>Handle Dimensions</p>	<p>Direction of Operation</p> <p>TEST TEST POSITION INCLUDED ON CERTAIN MODELS ONLY AS INDICATED IN THE SELECTION TABLES</p>	<p>Door Drilling</p>	
S3 Type			
<p>Handle Dimensions</p>	<p>Direction of Operation</p> <p>TEST TEST POSITION INCLUDED ON CERTAIN MODELS ONLY AS INDICATED IN THE SELECTION TABLES</p>	<p>Door Drilling</p>	

Note: Test position included on certain models only as indicated in the selection tables. Please see our website www.AutomationDirect.com for complete engineering drawings.

Accessories Dimensions



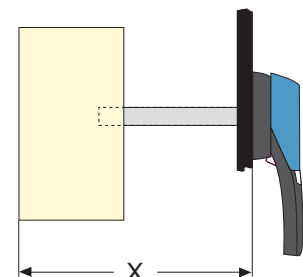
Shafts for Non-Fusible Disconnect Switches

[inches/mm]

Shafts for Non-Fusible Disconnect Switches				
Shafts for S00, S0 Handle Type	Part Number	Switch Body Rating (A)	Length	
			in	mm
	14070515	16 - 100	5.9	150
	14070520		7.9	200
	14070532		12.6	320
Shafts for S01 Handle Type	Part Number	Switch Body Rating (A)	Length	
	14040520	16 - 100	7.9	200
	14040532		12.6	320
	14040540		15.7	400
Shafts for S1, S2 Handle Type	Part Number	Switch Body Rating (A)	Length	
	14001020	100 - 400	7.9	200
	14001032		12.6	320
	14001040		15.7	400
0.39 [10.0]	0.79 [20.0]			
Shafts for S3 Handle Type	Part Number	Switch Body Rating (A)	Length	
	14011520	600	7.9	200
	14011532		12.6	320
	14011540		15.7	400

Please see our website www.AutomationDirect.com for complete engineering drawings.

Shaft Length Minimum Dimensions						
Use standard lengths: - 7.9 in / 200mm - 12.6 in / 320mm - 15.7 in / 400mm						
Switch Body Rating (A)	Dimension X		Handle Type	Length		Part Number
	in	mm		in	mm	
100 - 400	5.31 - 10.43	135 - 265	S2	7.9	200	14001020
100 - 400	5.31 - 15.16	135 - 385	S2	12.6	320	14001032
100 - 400	5.31 - 18.31	135 - 465	S2	15.7	400	14001040
600	8.70 - 13.50	221 - 343	S3	7.9	200	14011520
600	8.70 - 18.23	221 - 463	S3	12.6	320	14011532
600	8.70 - 21.38	221 - 543	S3	15.7	400	14011540



Accessories Dimensions



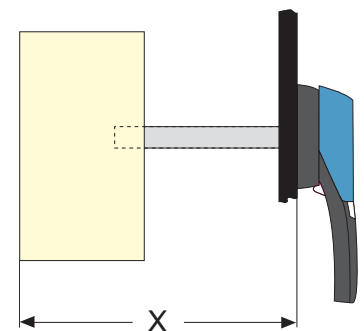
Shafts for Fusible Disconnect Switches

[inches/mm]

Shafts for Fusible Disconnect Switches									
Shafts for S0 Handle Type	Part Number	Body Switch Rating	Length		Shafts for S2 Handle Type	Part Number	Body Switch Rating	Length	
			in	mm				in	mm
	14050620	30A	7.9	200		14001020	30A to 400A	7.9	200
	14050632		12.6	320		14001032	30A to 200A	12.6	320
	14050640		15.7	400		14001040	30A to 400A	15.7	400
Shafts for S1 Handle Type	Part Number	Switch Body Rating	Length		Shafts for S3 Handle Type	Part Number	Switch Body Rating	Length	
	14010520	30A	7.9	200		14001220	600A	7.9	200
	14010532		12.6	320		14001232		12.6	320
	14010540		15.7	400		14001240		15.7	400

Please see our website www.AutomationDirect.com for complete engineering drawings.

Shaft Length Minimum Dimensions						
Use standard lengths: - 7.9 in / 200mm - 12.6 in / 320mm - 15.7 in / 400mm						
Switch Body Rating (A)	Dimension X		Handle Type	Length		Part Number
	in	mm		in	mm	
30	4.02 - 9.65	102 - 245	S0	7.9	200	14050620
30	4.02 - 14.37	102 - 365	S0	12.6	320	14050632
30	4.02 - 17.52	102 - 445	S0	15.7	400	14050640
30	4.02 - 9.65	102 - 245	S1	7.9	200	14010520
30	4.02 - 14.37	102 - 365	S1	12.6	320	14010532
30	4.02 - 17.52	102 - 445	S1	15.7	400	14010540
30 - 100	5.3 - 9.06	135 - 230	S2	7.9	200	14001020
200	5.7 - 9.06	145 - 230	S2	7.9	200	14001020
400	7.87 - 10.24	200 - 260	S2	7.9	200	14001020
30 - 100	5.3 - 13.78	135 - 350	S1, S2	12.6	320	14001032
200	5.7 - 13.78	145 - 350	S2	12.6	320	14001032
400	7.87 - 14.96	200 - 380	S2	12.6	320	14001032
30 - 100	5.3 - 16.93	135 - 430	S1, S2	15.7	400	14001040
200	5.7 - 16.93	145 - 430	S2	15.7	400	14001040
400	7.87 - 18.1	200 - 460	S2	15.7	400	14001040
600 - 800	10.63 - 11.97	270 - 304	S3	7.9	200	14001220
600 - 800	10.63 - 16.69	270 - 424	S3	12.6	320	14001232
600 - 800	10.63 - 19.84	270 - 504	S3	15.7	400	14001240

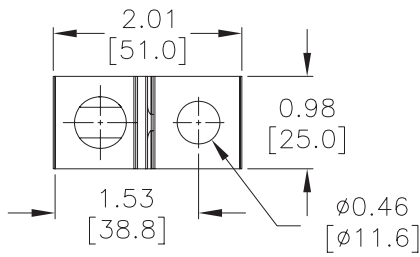


Accessories Dimensions

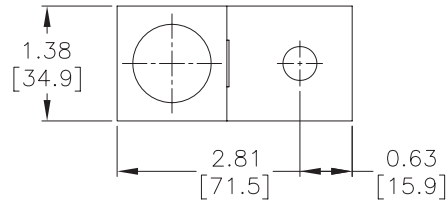


Lugs

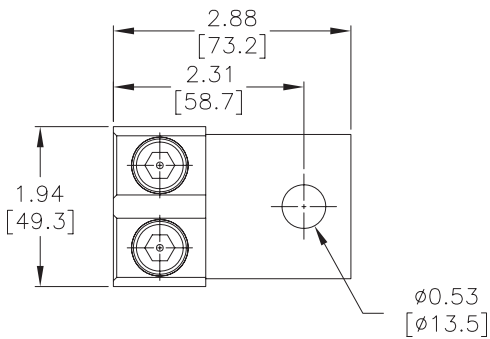
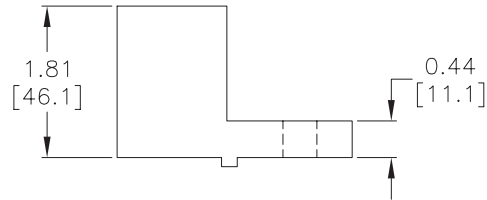
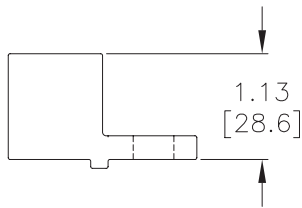
[inches/mm]



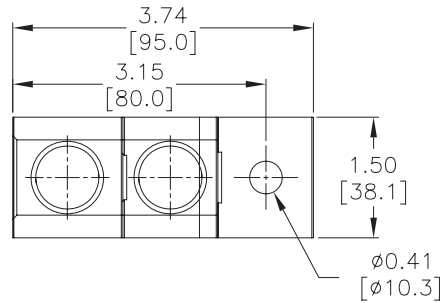
39542020, 39543020, 39544020



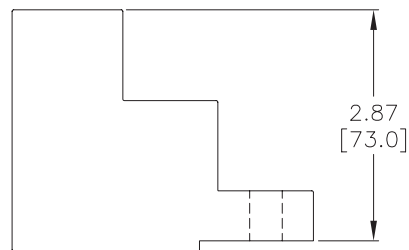
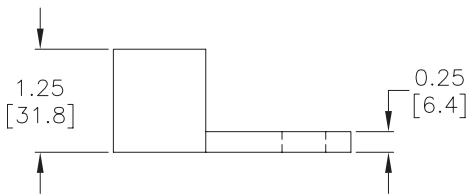
39543040



39543041



39543060



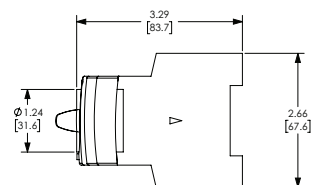
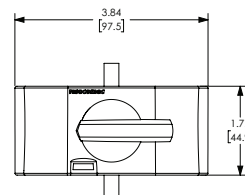
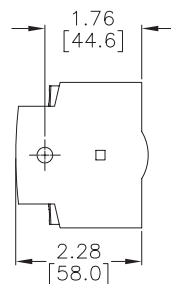
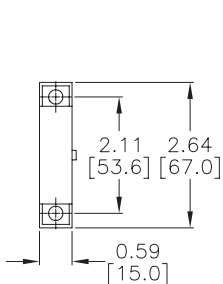
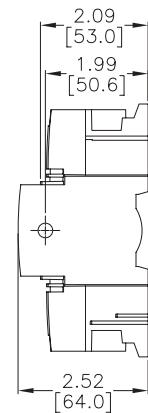
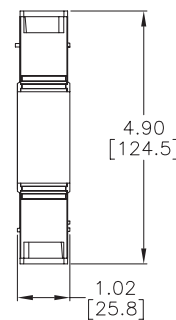
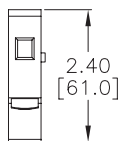
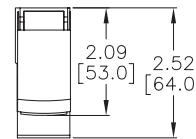
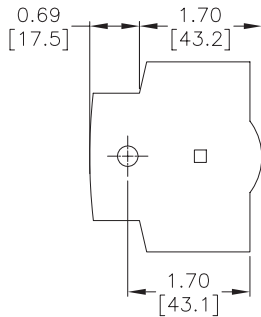
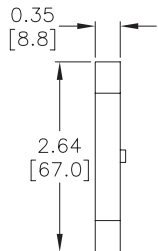
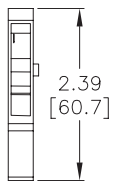
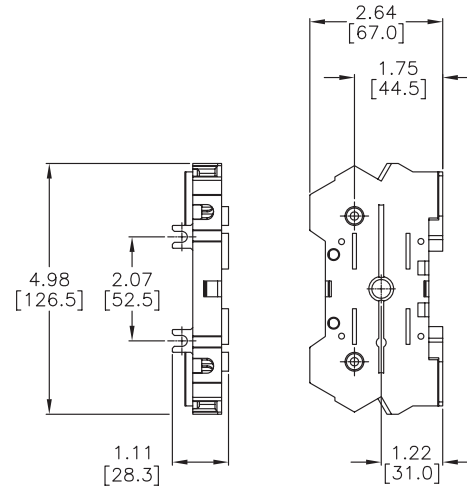
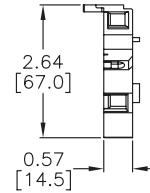
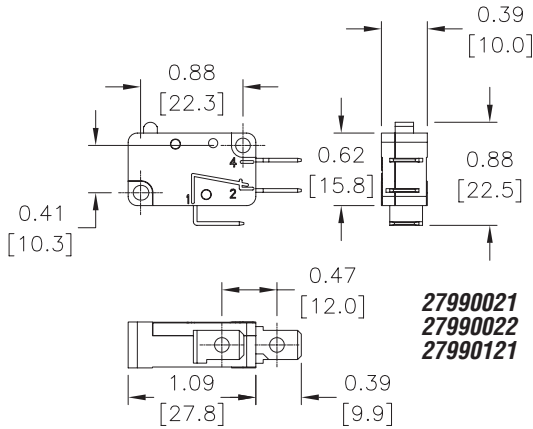
Please see our website www.AutomationDirect.com for complete engineering drawings.

Accessories Dimensions



Auxiliary Contacts and Additional Poles

[inches/mm]



Please see our website www.AutomationDirect.com for complete engineering drawings.